

CONTA **HOUSING** SYSTEMS



Housing systems

Overview

Overview	2
Our company	3
Overview of material characteristics	6
ABS housing CG	8
Polycarbonate housing CG-PC	8
Polystyrene housing CK	18
Polycarbonate housing CK-PC	30
Polyester housing CP	42
Polycarbonate housing CM	52
ABS housing CG	52
Aluminium housing CA	62
Metric cable gland systems KV/M	76
Cable gland systems KV/PG	81
Types and catalogue numbers, alphabetic	83
Types and catalogue numbers, numeric	87

CONTA-CLIP

Our company

Founded and kept in the family since 1977: **CONTA-CLIP** is an owner-operated company that is a mid-sized global player. Users of electrical and electronic connectivity components have come to trust us for our reliable products. They also trust in our wide-reaching competence within the market and industry which has evolved over many years. In the years since our company was founded, we have evolved from a manufacturer to an innovator.

Our employees are connectivity specialists coming from a wide variety of backgrounds. They understand the specific problems, requirements and challenges of our customers. This ensures communication among equals. We then invest our gains directly into maintaining a modern and efficient production process. This allows us to maintain the most modern machinery at our facilities. We develop and produce the tooling ourselves. We neither make nor accept any compromise in the quality of materials used in our products.

Our top-class products are supported by this interplay between top-class men and machinery. We have also designed our range of services to align with customer needs. We develop electronics, assemble terminal rails, take care of component labelling, and deliver completely populated housings when needed – totally customized and expedited.

Our passion and concern for our customers' challenges does not end after we've delivered our solution. **CONTA-CLIP** customer representatives are always ready to offer their support to the customer, because service and support are our top priorities.



CONTA-CLIP

Overview

Products from our **CONTA-CONNECT** (connection systems), **CONTA-ELECTRONICS** (electronics) and **CONTA-CON** (PCB connectors) lines are developed and optimized in close cooperation with the user community. They contribute to the smooth operation of a vast diversity of applications.

Quality management at **CONTA-CLIP** is conducted in compliance with DIN ISO 9001 and the certification of our suppliers is a top priority for us. Our products also comply with the relevant international standards. We work with materials that contain no hazardous substances and support regenerative heat recovery. **CONTA-CLIP** strives for the ideal synergy between environmental sustainability, process optimization and innovative products.



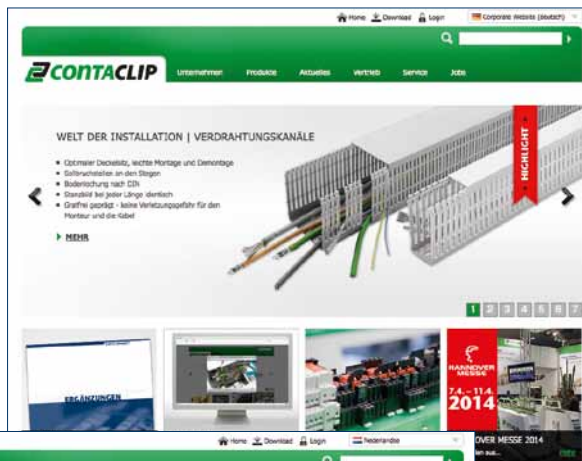
CONTA-CLIP

on the internet

You can learn more about product innovations, trade fair dates, press releases, and more at our official **CONTA-CLIP** web site.

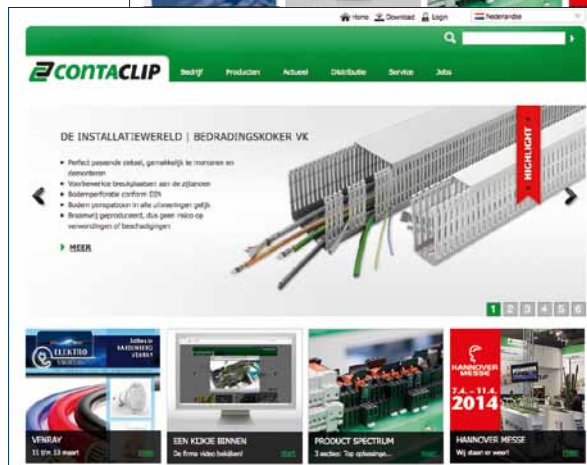
If you want to make sure you do not miss any news, subscribe with no obligation to our **CONTA-CLIP** newsletter by e-mail.

www.conta-clip.com



In Germany:
www.conta-clip.de

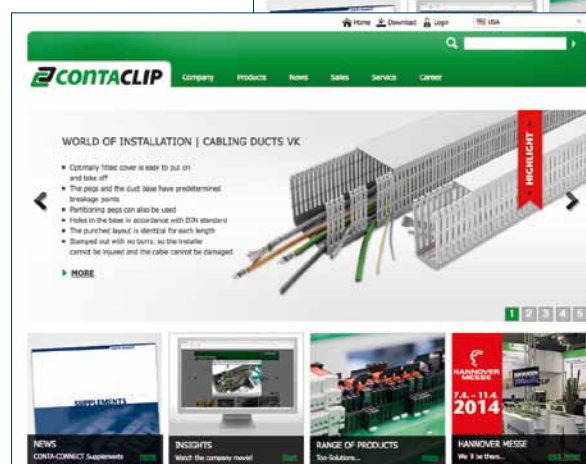
In France:
www.conta-clip.fr



In Holland:
www.conta-clip.nl



In Italy:
www.conta-clip.it



USA
www.contaclipinc.com

Housing systems

CONTA-CLIP offers a wide range of housings of different sizes and materials for the protection of electronic circuitry, devices or terminals. The type of material to use is chosen based on the requirements of the application.

There are five different housing materials to choose from:

Polystyrene

Material:	Polystyrene
Protection:	IP 66
Toxicity characteristics:	halogen-free / cadmium-free
Thermal stability:	-25° to +40°C
Flammability:	UL 94-V2
Chemical resistance:	good
Sea water resistance:	good
UV resistance:	satisfactory



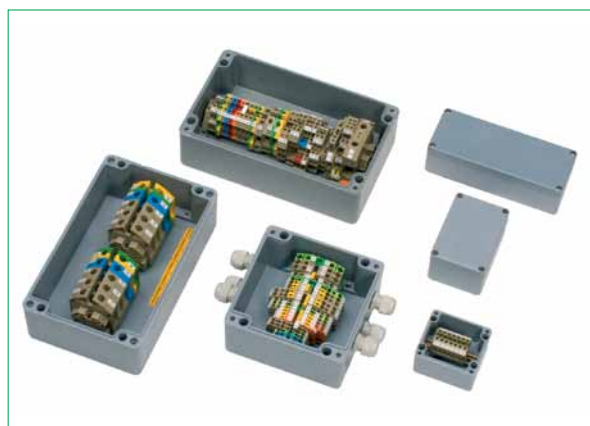
Polycarbonate

Material:	Polycarbonate
Protection:	IP 66
Toxicity characteristics:	halogen-free / cadmium-free
Thermal stability:	-35° to +80°C
Flammability:	UL 94-V2
Chemical resistance:	good
Sea water resistance:	very good
UV resistance:	good



Polyester

Material:	Polyester
Protection:	IP 66
Toxicity characteristics:	halogen-free / cadmium-free
Thermal stability:	-40° to +90°C
Flammability:	UL 94-V0
Chemical resistance:	good
Sea water resistance:	very good
UV resistance:	good

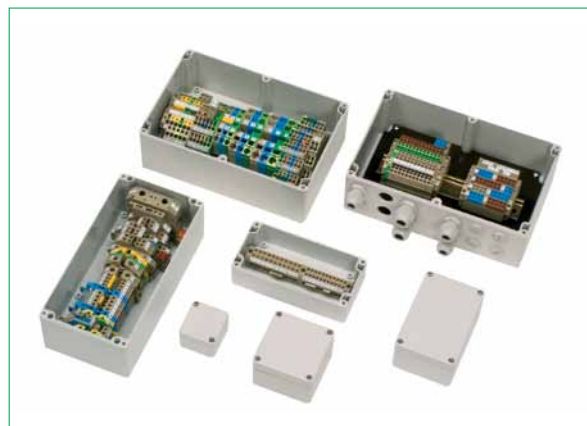


Housing systems

Polystyrene / Polycarbonate / Polyester / ABS / Aluminium

ABS

Material:	ABS
Protection:	IP 66
Toxicity characteristics:	halogen-free / cadmium-free
Thermal stability:	-40° to +80°C
Flammability:	UL 94-HB
Chemical resistance:	good
Sea water resistance:	good
UV resistance:	satisfactory



Aluminium

Material:	Aluminium (ALSI, DIN 1725)
Protection:	IP 66
Toxicity characteristics:	halogen-free / cadmium-free
Thermal stability:	-40° to +90°C
Flammability:	
Chemical resistance:	good
Sea water resistance:	good
UV resistance:	very good



Upon request, the housings are manufactured according to customer specifications and supplemented with products from **CONTA-CONNECT** or **CONTA-CON** product lines, which are then installed on mounting plates or DIN rails.

During the manufacture of the housings, we can carry out cuttings (milling), feed-through bore holes, thread connection bore holes or painting. Cable glands or external joints can also be attached when needed.

Our consistent high level of quality is ensured by our selection of the finest materials and our continuous quality management control system.

ABS housing CG | Polycarbonate housing CG-PC

ABS housing | Polycarbonate housing

- 9 basic housings in different heights
- High-quality design with a noble, high-gloss appearance
- Grey or transparent cover
- Material: optionally ABS (CG) or polycarbonate (CG-PC)
- Smooth side walls for improved flexibility
- Attachment tabs in the normal, commercially available positions
- Stainless steel quick release saves time
- The recess in the cover allows design foils or membrane keypads to be mounted
- Cover retainer prevents loss
- Your choice of fastening mechanism
- A comprehensive line of accessories



Technical data ABS housing CG

Material
Protection
Toxicity characteristics
Flammability class according to UL 94
Thermal stability
Chemical resistance
Sea water resistance
UV resistance
Colour
Impact resistance

ABS
IP66/IP67 - acc. to EN60529 / DIN VDE 0470-1
Contains no heavy metals, PVC or silicone
HB
-25 °C to +40 °C
good
very good
good
grey, similar to RAL 7035
IK07 acc. to EN 5012 / VDE 0470

Outer dimensions			Size Diagram Page
L	B	H	
84	82	85	9
84	82	85	9
122	82	55	10
122	82	85	10
124	122	55	11
124	122	85	11
162	82	55	12
162	82	85	12
162	122	90	13
202	122	75	13
202	122	90	14
202	152	90	14
252	162	90	15
252	162	120	15
302	232	90	16
302	232	110	16

ABS	
Type	Cat. no.
CK 88/55 OV	31000.3
CK 88/85 OV	31002.3
CK 1208/55 OV	31004.3
CK 1208/85 OV	31006.3
CK 1212/55 OV	31008.3
CK 1212/85 OV	31010.3
CK 1608/55 OV	31012.3
CK 1608/85 OV	31014.3
CK 1612/90 OV	31016.3
CK 2012/75 OV	31018.3
CK 2012/90 OV	31020.3
CK 2015/90 OV	31022.3
CK 2516/90 OV	31024.3
CK 2516/120 OV	31026.3
CK 3023/90 OV	31028.3
CK 3023/110 OV	31030.3

Polycarbonate cover, transparent	
Type	Cat. no.
CG 88/55 OVT	31001.3
CG 88/85 OVT	31003.3
CG 1208/55 OVT	31005.3
CG 1208/85 OVT	31007.3
CG 1212/55 OVT	31009.3
CG 1212/85 OVT	31011.3
CG 1608/55 OVT	31013.3
CG 1608/85 OVT	31015.3
CG 1612/90 OVT	31017.3
CG 2012/75 OVT	31019.3
CG 2012/90 OVT	31021.3
CG 2015/90 OVT	31023.3
CG 2516/90 OVT	31025.3
CG 2516/120 OVT	31027.3
CG 3023/90 OVT	31029.3
CG 3023/110 OVT	31031.3

Technical data Polycarbonate housing CG-PC

Material
Protection
Toxicity characteristics
Flammability class according to UL 94
Thermal stability
Chemical resistance
Sea water resistance
UV resistance
Colour
Impact resistance

Polycarbonate
IP66/IP67 - acc. to EN60529 / DIN VDE 0470-1
contains no heavy metals, PVC or silicone
V2 (5V ₂)
-35° to +80 °C
good
good
satisfactory
grey, similar to RAL 7035
IK08 acc. to EN 5012 / VDE 0470

Outer dimensions			Size Diagram Page
L	B	H	
84	82	55	9
84	82	85	9
122	82	55	10
122	82	85	10
124	122	55	11
124	122	85	11
162	82	55	12
162	82	85	12
162	122	90	13
202	122	75	13
202	122	90	14
202	152	90	14
252	162	90	15
252	162	120	15
302	232	90	16
302	232	110	16

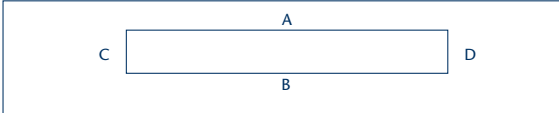
Polycarbonate	
Type	Cat. no.
CG-PC 88/55 OV	31032.2
CG-PC 88/85 OV	31034.2
CG-PC 1208/55 OV	31036.2
CG-PC 1208/85 OV	31038.2
CG-PC 1212/55 OV	31040.2
CG-PC 1212/85 OV	31042.2
CG-PC 1608/55 OV	31044.2
CG-PC 1608/85 OV	31046.2
CG-PC 1612/90 OV	31048.2
CG-PC 2012/75 OV	31050.2
CG-PC 2012/90 OV	31052.2
CG-PC 2015/90 OV	31054.2
CG-PC 2516/90 OV	31056.2
CG-PC 2516/120 OV	31058.2
CG-PC 3023/90 OV	31060.2
CG-PC 3023/110 OV	31062.2

Polycarbonate cover, transparent	
Type	Cat. no.
CG-PC 88/55 OVT	31033.2
CG-PC 88/85 OVT	31035.2
CG-PC 1208/55 OVT	31037.2
CG-PC 1208/85 OVT	31039.2
CG-PC 1212/55 OVT	31041.2
CG-PC 1212/85 OVT	31043.2
CG-PC 1608/55 OVT	31045.2
CG-PC 1608/85 OVT	31047.2
CG-PC 1612/90 OVT	31049.2
CG-PC 2012/75 OVT	31051.2
CG-PC 2012/90 OVT	31053.2
CG-PC 2015/90 OVT	31055.2
CG-PC 2516/90 OVT	31057.2
CG-PC 2516/120 OVT	31059.2
CG-PC 3023/90 OVT	31061.2
CG-PC 3023/110 OVT	31063.2

ABS housing CG | Polycarbonate housing CG-PC

CG 88/55 CG-PC 88/55		
Type	Cat. no.	Wt.
CK 88/55 OV	31000.3	128g
CG-PC 88/55 OV	31032.2	142g
CG 88/55 OVT	31001.3	133g
CG-PC 88/55 OVT	31033.2	142g

Threaded drill hole options

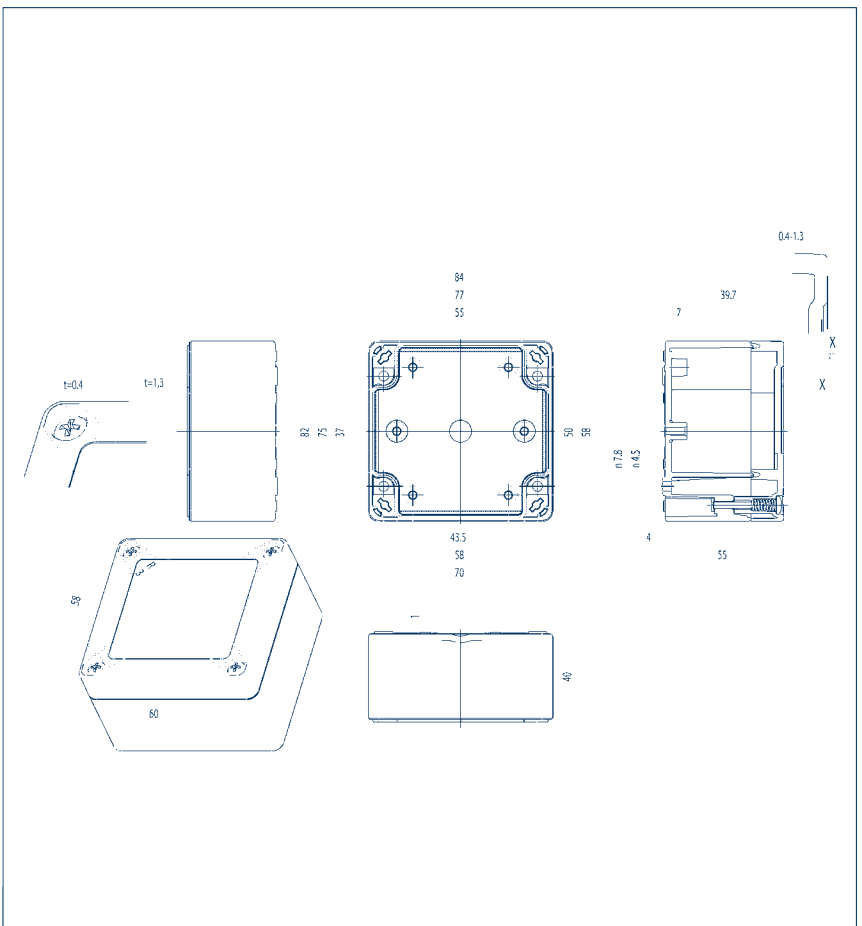


M	A/B	C/D	Knock-outs	A/B	C/D
12	3	2			
16	2	1			
20	1	1			
25	-	-			
32	-	-			
40	-	-			
50	-	-			
63	-	-			

Accessories

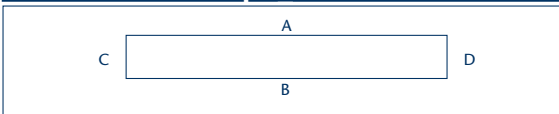
		Qty.
DIN rail section TS15	TS 15/66/CG mm long	
Cat. no.	31091.0	1
DIN rail section TS35	TS 35/66/CG mm long	
Cat. no.	31081.0	1
Mounting plate MP	MP/CG 88	
Cat. no.	31070.2	1
Wall brackets WL	WL/CG	
Cat. no.	31079.2	1
External joints (pair) AG	AG/CK 77-CK 1809	
Cat. no.	4512.2	1

Dimension diagram



CG 88/85 CG-PC 88/85		
Type	Cat. no.	Wt.
CK 88/85 OV	31002.3	167g
CG-PC 88/85 OV	31034.2	189g
CG 88/85 OVT	31003.3	172g
CG-PC 88/85 OVT	31035.2	188g

Threaded drill hole options

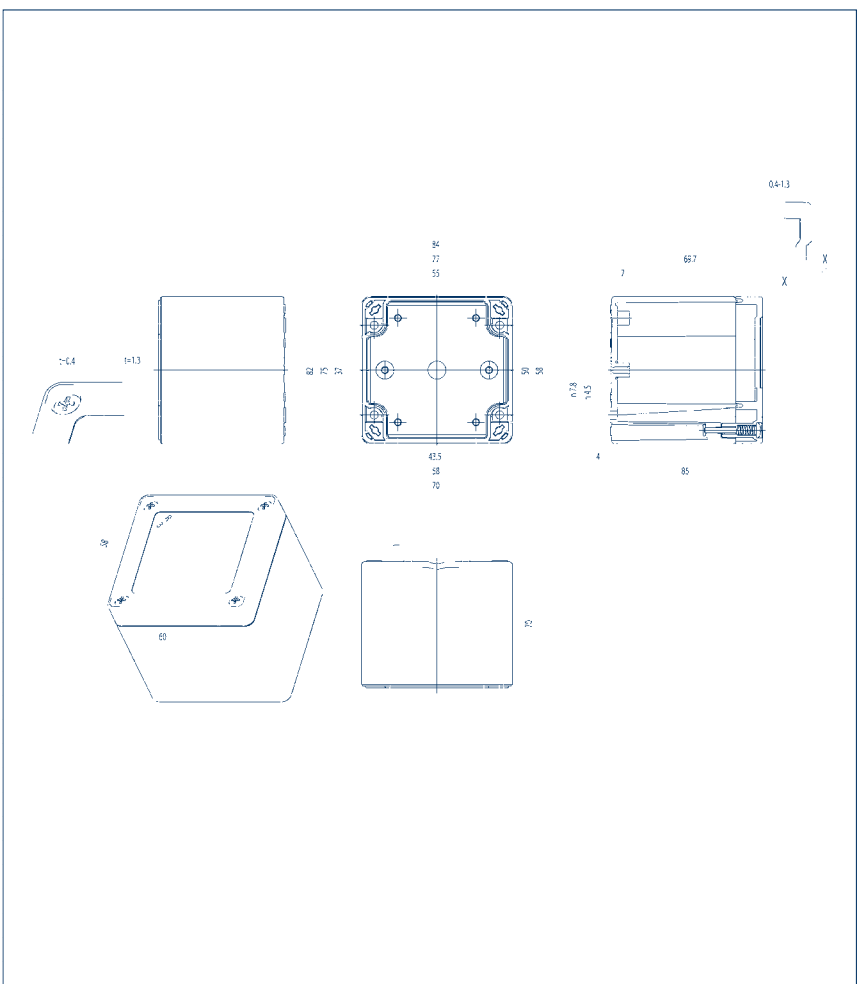


M	A/B	C/D	Knock-outs	A/B	C/D
12	6	4			
16	4	2			
20	2	2			
25	1	1			
32	1	-			
40	-	-			
50	-	-			
63	-	-			

Accessories

		Qty.
DIN rail section TS15	TS 15/66/CG mm long	
Cat. no.	31091.0	1
DIN rail section TS35	TS 35/66/CG mm long	
Cat. no.	31081.0	1
Mounting plate MP	MP/CG 88	
Cat. no.	31070.2	1
Wall brackets WL	WL/CG	
Cat. no.	31079.2	1

Dimension diagram

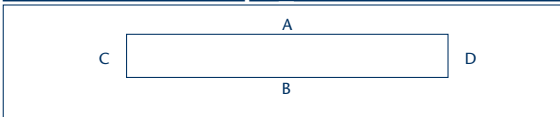


ABS housing CG | Polycarbonate housing CG-PC

CG 1208/55 | CG-PC 1208/55

Type	Cat. no.	Wt.
CK 1208/55 OV	31004.3	160g
CG-PC 1208/55 OV	31036.2	180g
CG 1208/55 OVT	31005.3	167g
CG-PC 1208/55 OVT	31037.2	180g

Threaded drill hole options

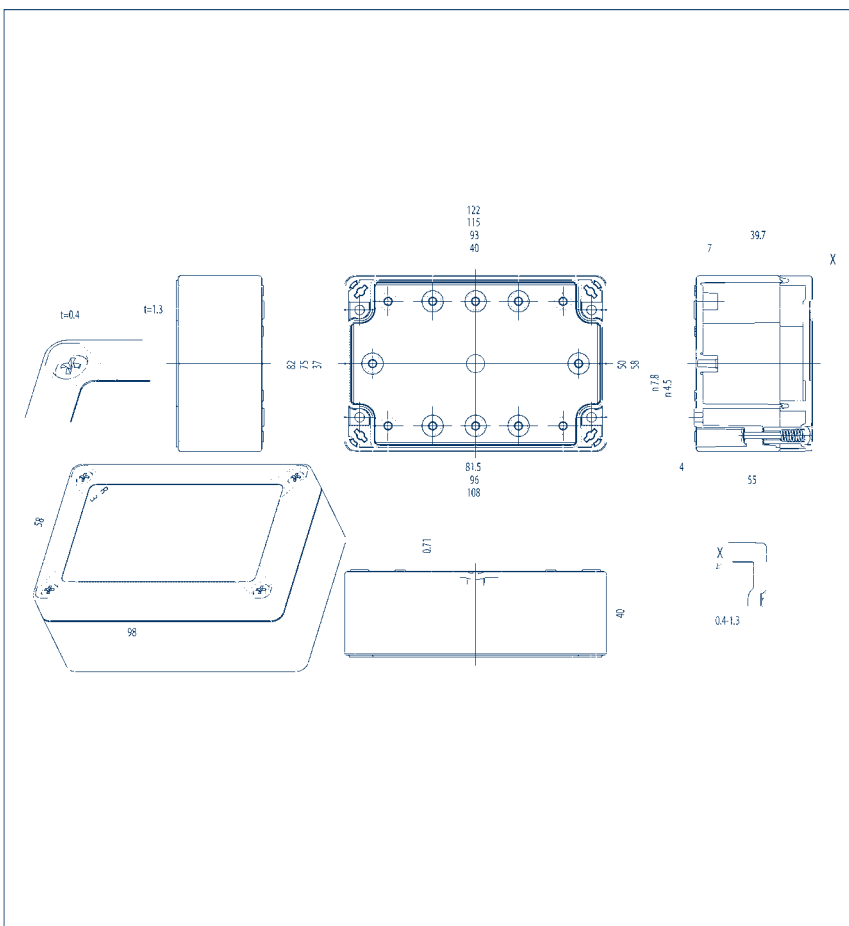


M	A/B	C/D	PG	A/B	C/D
12	5	2			
16	3	1			
20	2				
25	2	-			
32	-	-			
40	-	-			
50	-	-			
63	-	-			

Accessories Qty.

DIN rail section TS15	TS 15/104/CG mm long	
Cat. no.	31092.0	1
DIN rail section TS35	TS 35/104/CG mm long	
Cat. no.	31082.0	1
Mounting plate MP	MP/CG 1208	
Cat. no.	31071.2	1
Wall brackets WL	WL/CG	
Cat. no.	31079.2	1

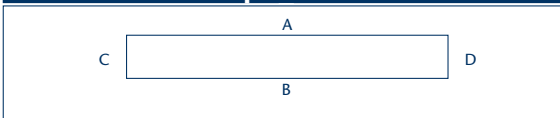
Dimension diagram



CG 1208/85 | CG-PC 1208/85

Type	Cat. no.	Wt.
CK 1208/85 OV	31006.3	210g
CG-PC 1208/85 OV	31038.2	233g
CG 1208/85 OVT	31007.3	222g
CG-PC 1208/85 OVT	31039.2	235g

Threaded drill hole options

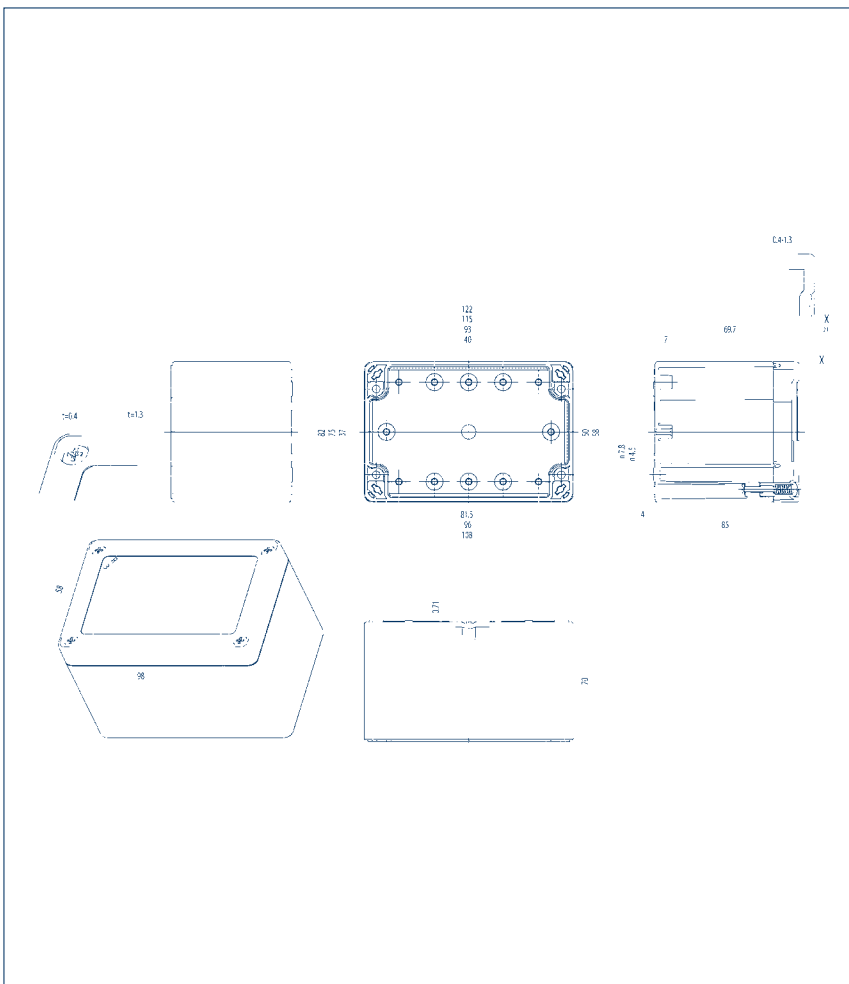


M	A/B	C/D	PG	A/B	C/D
12	12	4			
16	6	2			
20	6	1			
25	3	1			
32	2	-			
40	1	-			
50	-	-			
63	-	-			

Accessories Qty.

DIN rail section TS15	TS 15/104/CG mm long	
Cat. no.	31092.0	1
DIN rail section TS35	TS 35/104/CG mm long	
Cat. no.	31082.0	1
Mounting plate MP	MP/CG 1208	
Cat. no.	31071.2	1
Wall brackets WL	WL/CG	
Cat. no.	31079.2	1

Dimension diagram

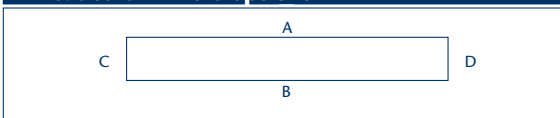


ABS housing CG | Polycarbonate housing CG-PC

CG 1212/55 | CG-PC 1212/55

Type	Cat. no.	Wt.
CK 1212/55 OV	31008.3	209g
CG-PC 1212/55 OV	31040.2	233g
CG 1212/55 OVT	31009.3	219g
CG-PC 1212/55 OVT	31041.2	233g

Threaded drill hole options

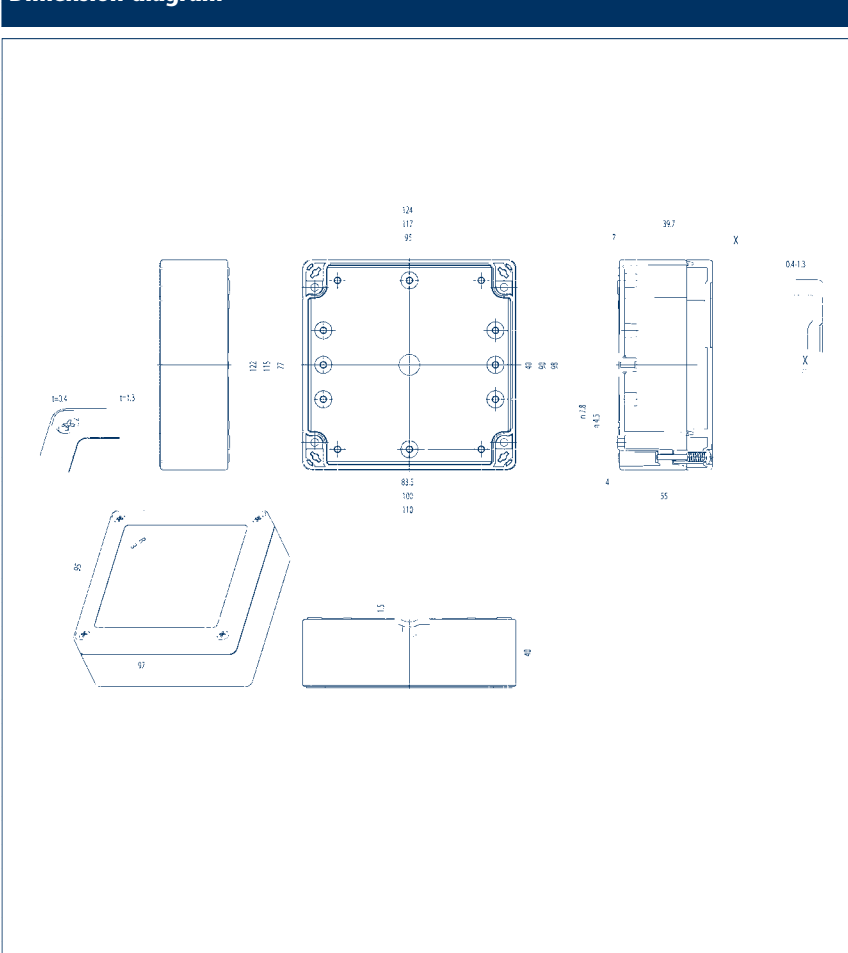


M	A/B	C/D	PG	A/B	C/D
12	6	5			
16	3	3			
20	3	2			
25	2	2			
32	-	-			
40	-	-			
50	-	-			
63	-	-			

Accessories

Accessories	Qty.
DIN rail section TS15 Cat. no. 31093.0	1
DIN rail section TS35 Cat. no. 31083.0	1
Mounting plate MP Cat. no. 31072.2	1
Wall brackets WL Cat. no. 31079.2	1

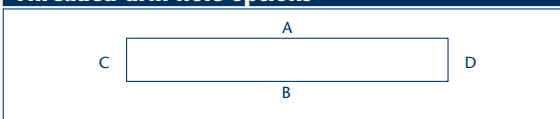
Dimension diagram



CG 1212/85 | CG-PC 1212/85

Type	Cat. no.	Wt.
CK 1208/85 OV	31010.3	261g
CG-PC 1208/85 OV	31042.2	301g
CG 1208/85 OVT	31011.3	272g
CG-PC 1208/85 OVT	31043.2	300g

Threaded drill hole options

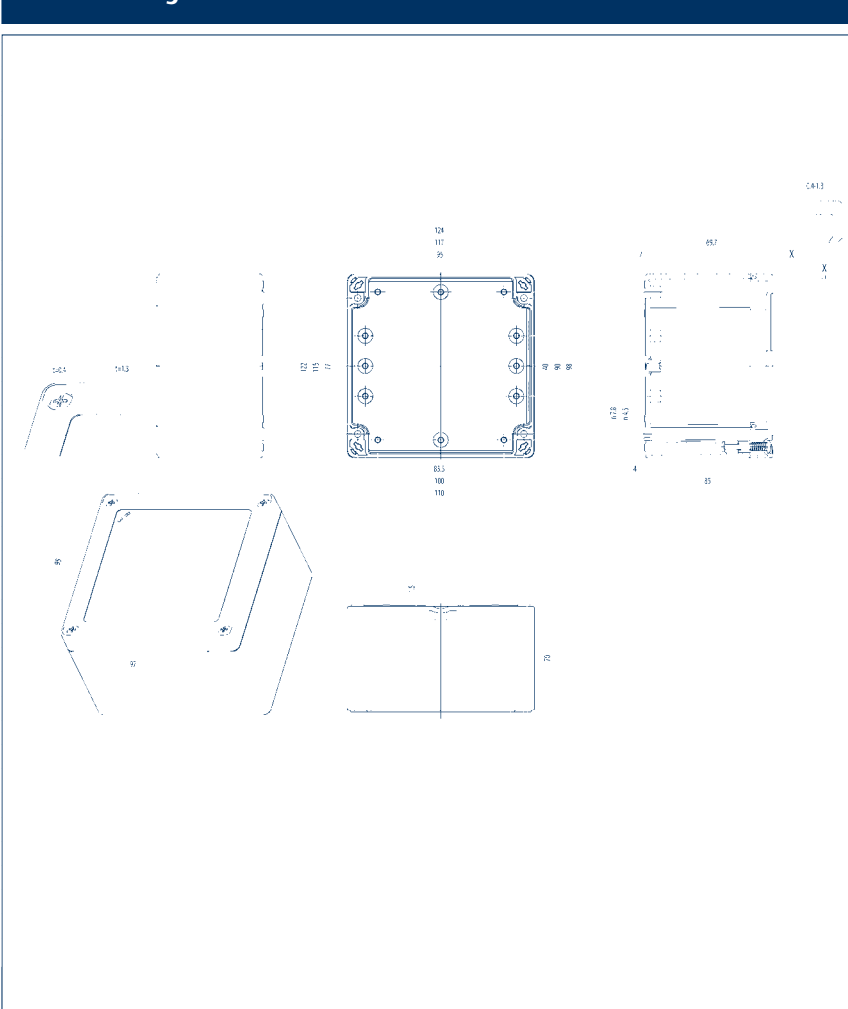


M	A/B	C/D	PG	A/B	C/D
12	12	4			
16	6	2			
20	6	1			
25	3	1			
32	2	-			
40	1	-			
50	-	-			
63	-	-			

Accessories

Accessories	Qty.
DIN rail section TS15 Cat. no. 31093.0	1
DIN rail section TS35 Cat. no. 31083.0	1
Mounting plate MP Cat. no. 31072.2	1
Wall brackets WL Cat. no. 31079.2	1

Dimension diagram

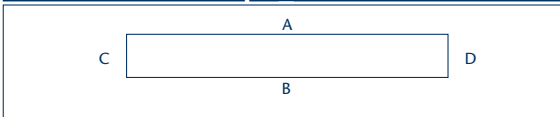


ABS housing CG | Polycarbonate housing CG-PC

CG 1608/55 | CG-PC 1608/55

Type	Cat. no.	Wt.
CK 1608/55 OV	31012.3	194g
CG-PC 1608/55 OV	31044.2	219g
CG 1608/55 OVT	31013.3	205g
CG-PC 1608/55 OVT	31045.2	220g

Threaded drill hole options

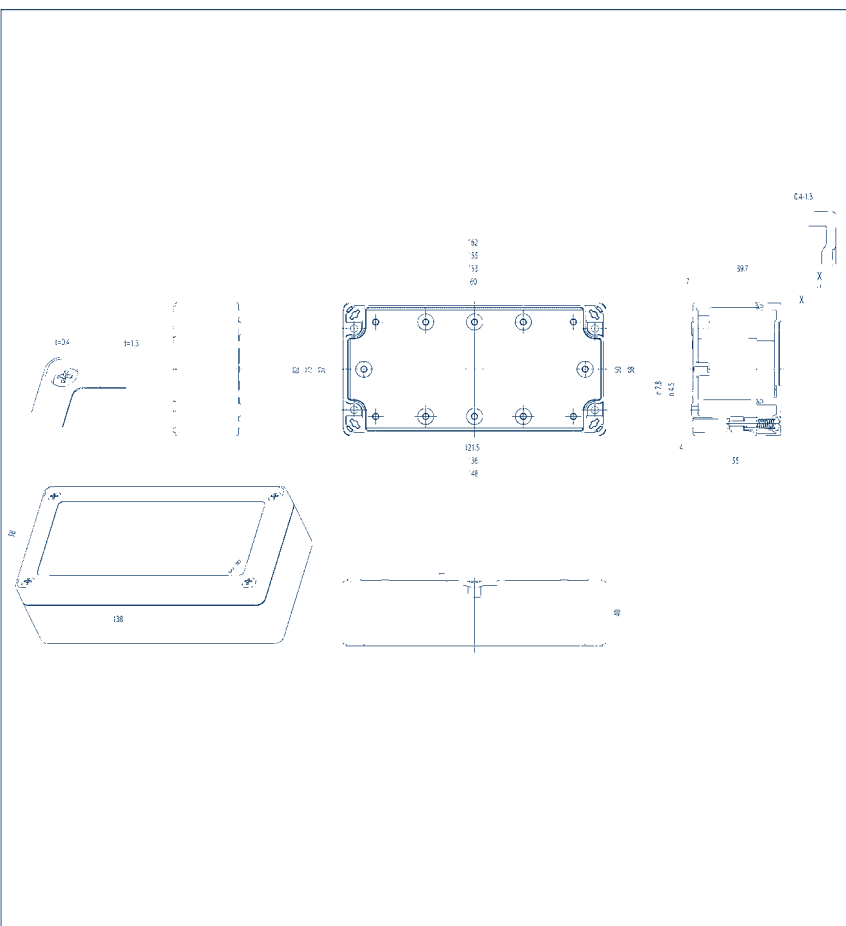


M	A/B	C/D	PG	A/B	C/D
12	9	2			
16	5	1			
20	4	1			
25	-	-			
32	-	-			
40	-	-			
50	-	-			
63	-	-			

Accessories Qty.

DIN rail section TS15	TS 15/144/CG mm long	
Cat. no.	31094.0	1
DIN rail section TS35	TS 35/144/CG mm long	
Cat. no.	31084.0	1
Mounting plate MP	MP/CG 1608	
Cat. no.	31073.2	1
Wall brackets WL	WL/CG	
Cat. no.	31079.2	1

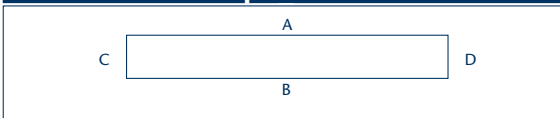
Dimension diagram



CG 1608/85 | CG-PC 1608/85

Type	Cat. no.	Wt.
CK 1608/85 OV	31014.3	252g
CG-PC 1608/85 OV	31046.2	264g
CG 1608/85 OVT	31015.3	263g
CG-PC 1608/85 OVT	31047.2	290g

Threaded drill hole options

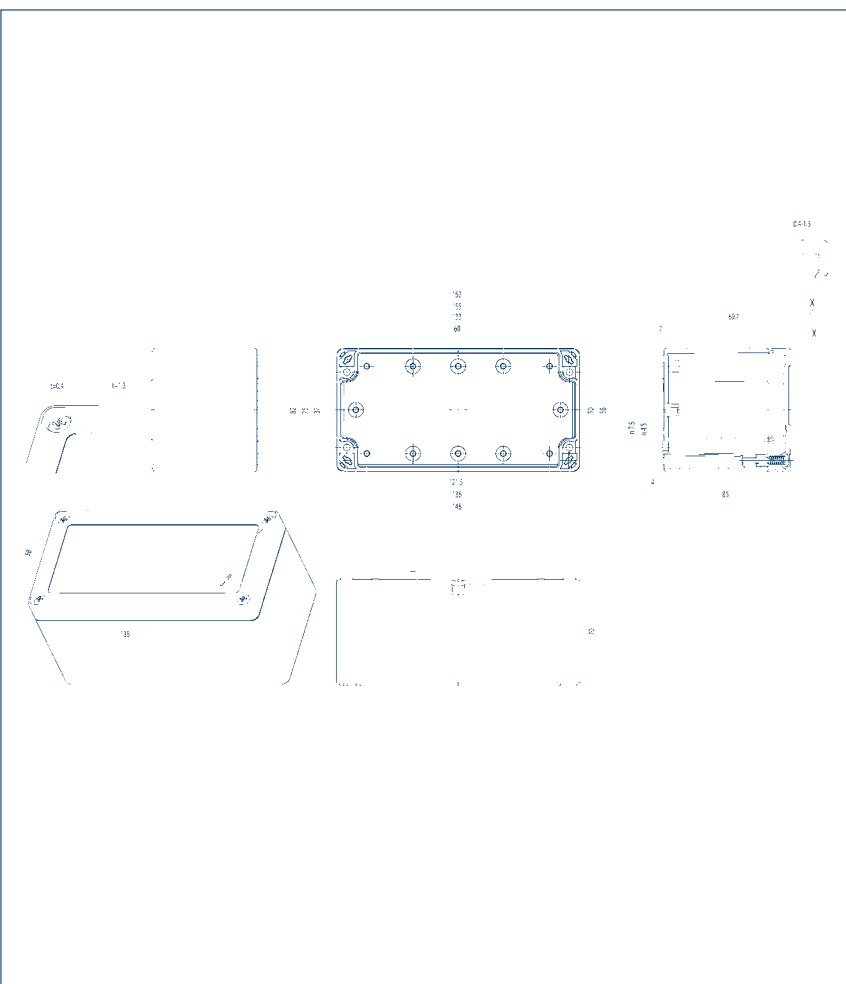


M	A/B	C/D	PG	A/B	C/D
12	18	4			
16	10	2			
20	8	2			
25	4	1			
32	3	-			
40	2	-			
50	2	-			
63	-	-			

Accessories Qty.

DIN rail section TS15	TS 15/144/CG mm long	
Cat. no.	31094.0	1
DIN rail section TS35	TS 35/144/CG mm long	
Cat. no.	31084.0	1
Mounting plate MP	MP/CG 1608	
Cat. no.	31073.2	1
Wall brackets WL	WL/CG	
Cat. no.	31079.2	1

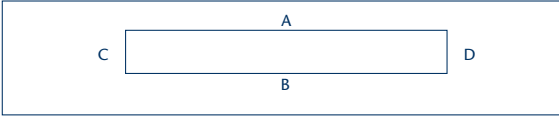
Dimension diagram



ABS housing CG | Polycarbonate housing CG-PC

CG 1612/90 CG-PC 1612/90		
Type	Cat. no.	Wt.
CK 1612/90 OV	31016.3	340g
CG-PC 1612/90 OV	31048.2	384g
CG 1612/90 OVT	31017.3	359g
CG-PC 1612/90 OVT	31049.2	379g

Threaded drill hole options

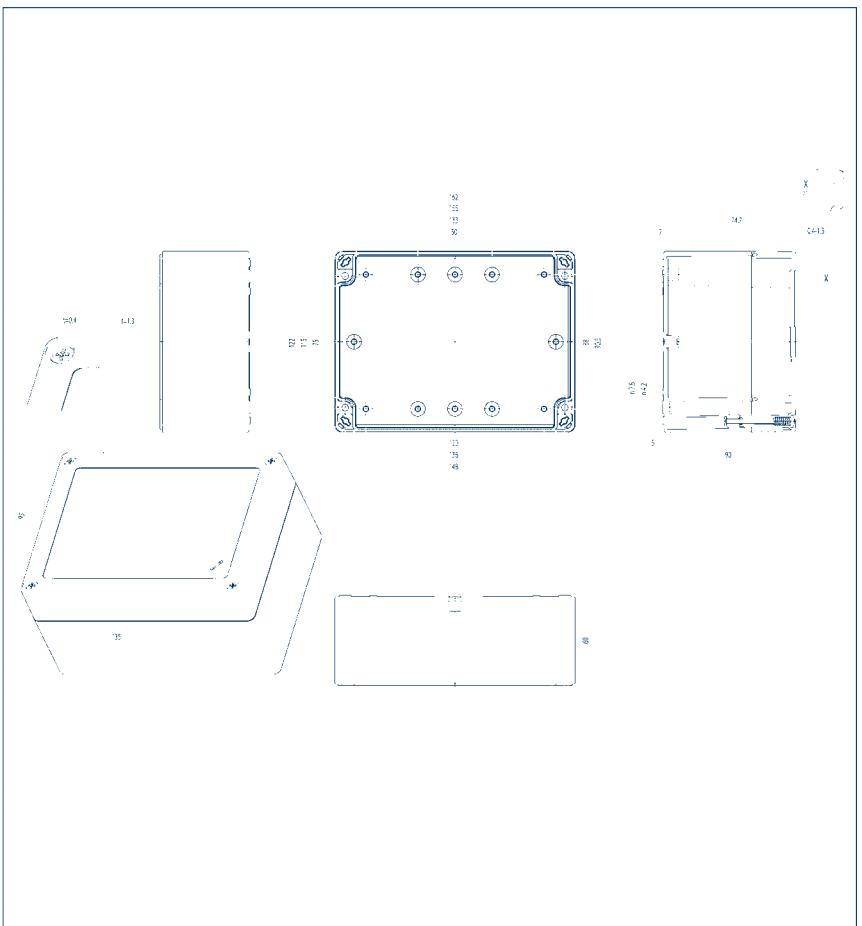


M	A/B	C/D	PG	A/B	C/D
12	12	8			
16	10	5			
20	4	3			
25	3	2			
32	2	2			
40	-	-			
50	-	-			
63	-	-			

Accessories Qty.

DIN rail section TS15	TS 15/144/CG mm long	
Cat. no.	31094.0	1
DIN rail section TS35	TS 35/144/CG mm long	
Cat. no.	31084.0	1
Mounting plate MP	MP/CG 1612	
Cat. no.	31074.2	1
Wall brackets WL	WL/CG	
Cat. no.	31079.2	1
Internal joints (pair) IG	IG/CG	
Cat. no.	31080.2	1

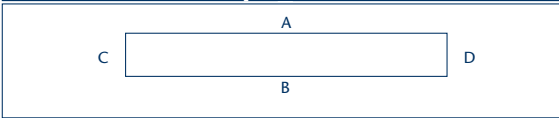
Dimension diagram



CG 1212/75 | CG-PC 1212/75

Type	Cat. no.	Wt.
CK 1212/75 OV	31018.3	350g
CG-PC 1212/75 OV	31050.2	405g
CG 1212/75 OVT	31019.3	379g
CG-PC 1212/75 OVT	31051.2	404g

Threaded drill hole options

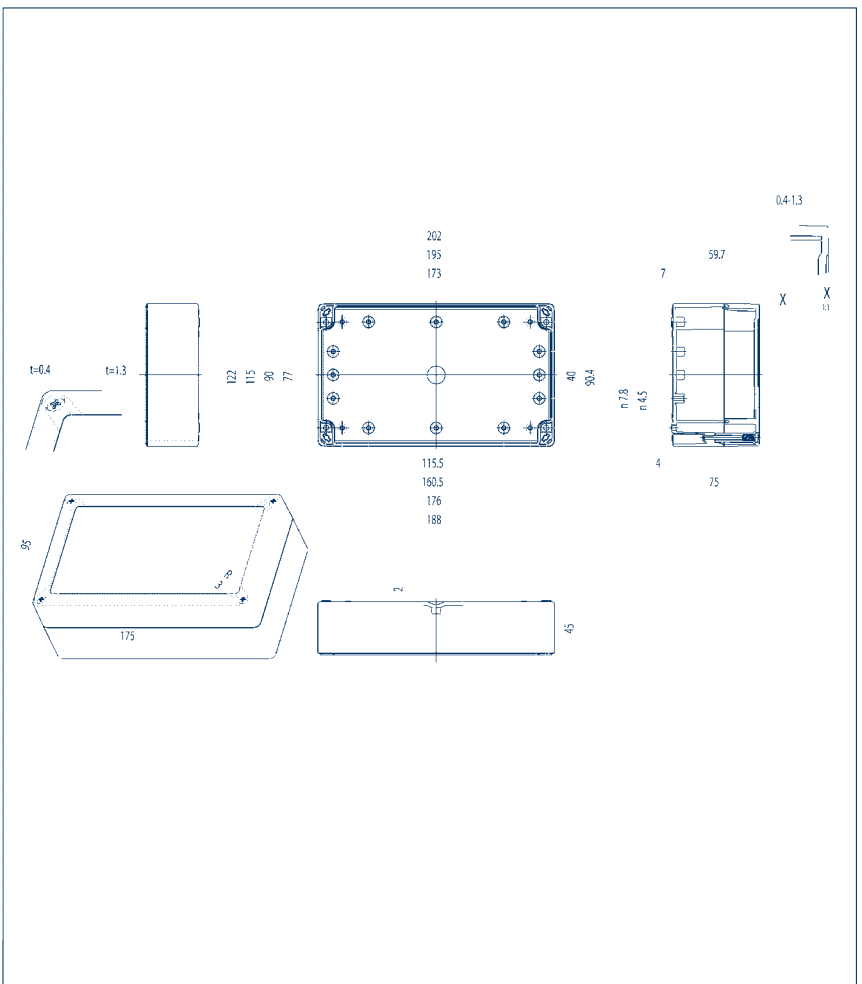


M	A/B	C/D	PG	A/B	C/D
12	16	6			
16	8	3			
20	5	2			
25	4	2			
32	-	-			
40	-	-			
50	-	-			
63	-	-			

Accessories Qty.

DIN rail section TS15	TS 15/184/CG mm long	
Cat. no.	31095.0	1
DIN rail section TS35	TS 35/184/CG mm long	
Cat. no.	31085.0	1
Mounting plate MP	MP/CG 1212	
Cat. no.	31075.2	1
Wall brackets WL	WL/CG	
Cat. no.	31079.2	1
Internal joints (pair) IG	IG/CG	
Cat. no.	31080.2	1

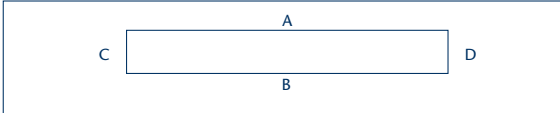
Dimension diagram



ABS housing CG | Polycarbonate housing CG-PC

CG 2012/90 CG-PC 2012/90		
Type	Cat. no.	Wt.
CK 2012/90 OV	31020.3	395g
CG-PC 2012/90 OV	31052.2	445g
CG 2012/90 OVT	31021.3	414g
CG-PC 2012/90 OVT	31053.2	440g

Threaded drill hole options

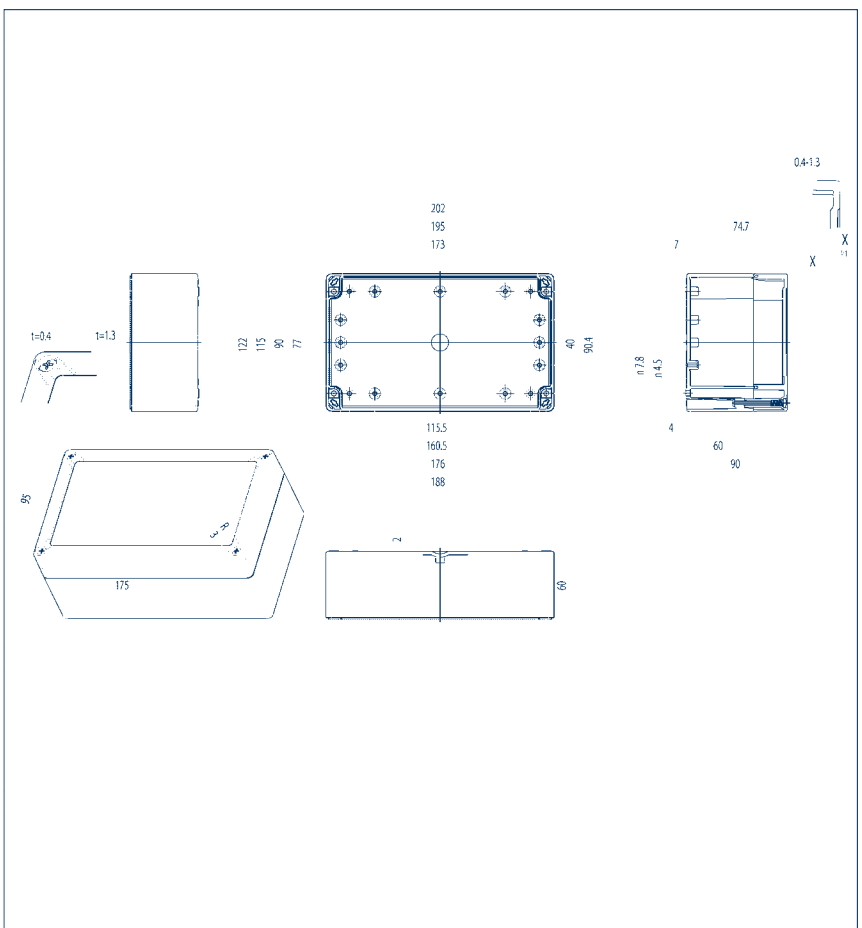


M	A/B	C/D	PG	A/B	C/D
12	16	6			
16	12	3			
20	5	3			
25	4	2			
32	3	1			
40	-	-			
50	-	-			
63	-	-			

Accessories Qty.

DIN rail section TS15	TS 15/184/CG mm long	
Cat. no.	31095.0	1
DIN rail section TS35	TS 35/184/CG mm long	
Cat. no.	31085.0	1
Mounting plate MP	MP/CG 2012	
Cat. no.	31075.2	1
Wall brackets WL	WL/CG	
Cat. no.	31079.2	1
Internal joints (pair) IG	IG/CG	
Cat. no.	31080.2	1

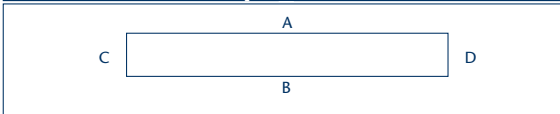
Dimension diagram



CG 2015/90 | CG-PC 2015/90

Type	Cat. no.	Wt.
CK 2015/90 OV	31022.3	451g
CG-PC 2015/90 OV	31054.2	514g
CG 2015/90 OVT	31023.3	479g
CG-PC 2015/90 OVT	31055.2	212g

Threaded drill hole options

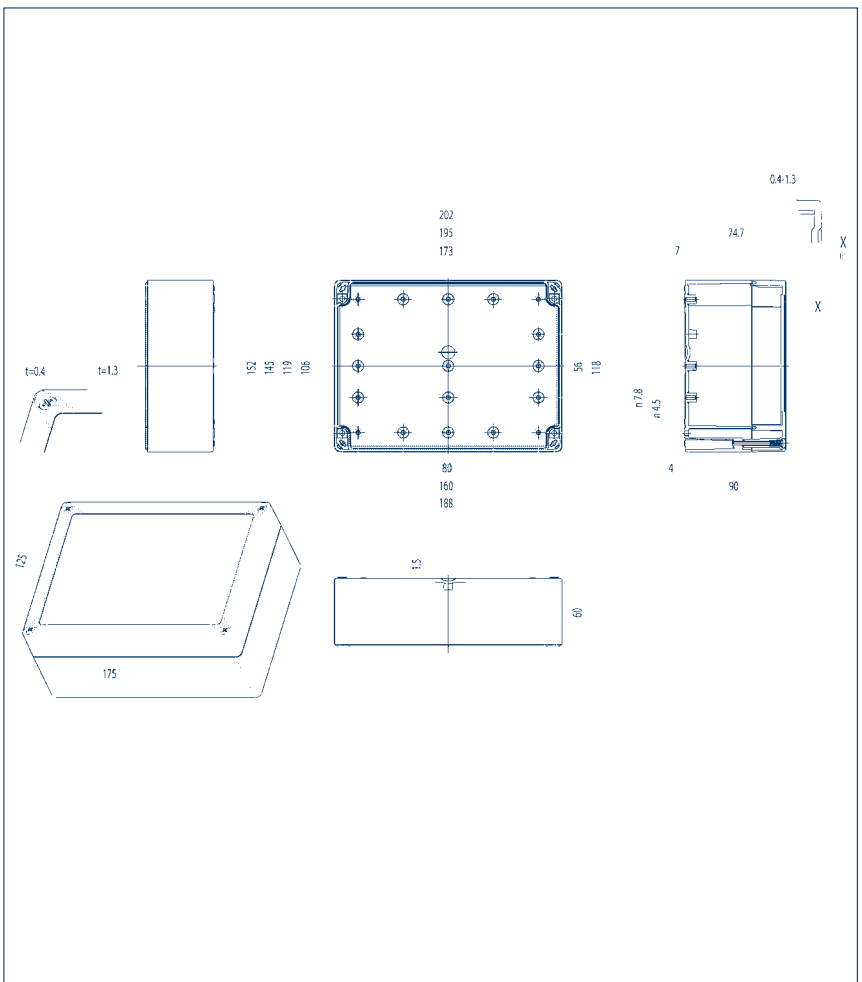


M	A/B	C/D	PG	A/B	C/D
12	16	10			
16	12	8			
20	5	4			
25	4	3			
32	3	2			
40	-	-			
50	-	-			
63	-	-			

Accessories Qty.

DIN rail section TS15	TS 15/168/CG mm long	
Cat. no.	31096.0	1
DIN rail section TS35	TS 35/168/CG mm long	
Cat. no.	31086.0	1
Mounting plate MP	MP/CG 2015	
Cat. no.	31076.2	1
Wall brackets WL	WL/CG	
Cat. no.	31079.2	1
Internal joints (pair) IG	IG/CG	
Cat. no.	31080.2	1

Dimension diagram

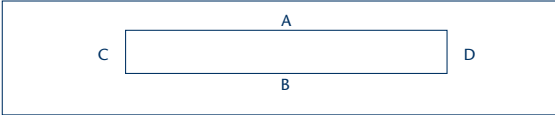


ABS housing CG | Polycarbonate housing CG-PC

CG 2516/90 | CG-PC 2516/90

Type	Cat. no.	Wt.
CK 2516/90 OV	31024.3	585g
CG-PC 2516/90 OV	31056.2	660g
CG 2516/90 OVT	31025.3	632g
CG-PC 2516/90 OVT	31057.2	673g

Threaded drill hole options



M	A/B	C/D	PG	A/B	C/D
12	20	10			
16	12	8			
20	6	3			
25	4	3			
32	4	2			
40	2	2			
50	-	-			
63	-	-			

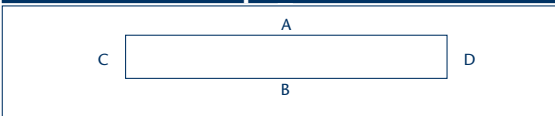
Accessories

Accessories	Qty.
DIN rail section TS15 Cat. no. 31097.0	1
DIN rail section TS35 Cat. no. 31087.0	1
Mounting plate MP Cat. no. 31077.2	1
Wall brackets WL Cat. no. 31079.2	1
Internal joints (pair) IG Cat. no. 31080.2	1

CG 2516/120 | CG-PC 2516/120

Type	Cat. no.	Wt.
CK 2516/120 OV	31026.3	689g
CG-PC 2516/120 OV	31058.2	775g
CG 2516/120 OVT	31027.3	725g
CG-PC 2516/120 OVT	31059.2	793g

Threaded drill hole options

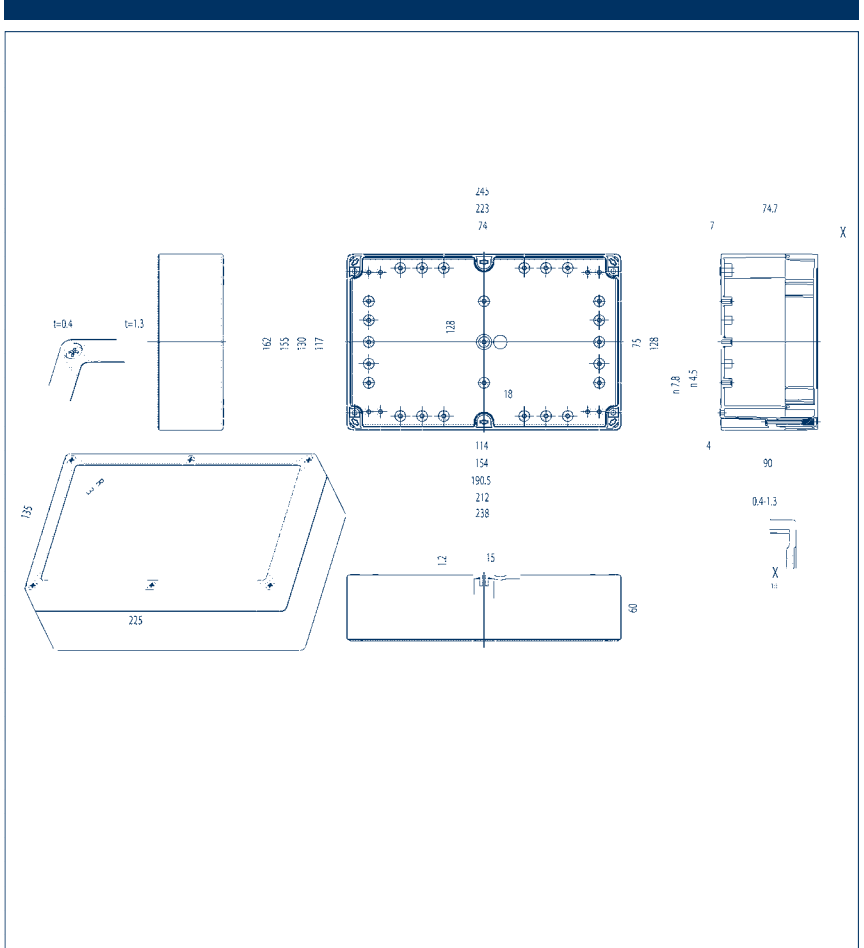


M	A/B	C/D	PG	A/B	C/D
12	40	20			
16	18	12			
20	12	8			
25	8	6			
32	6	3			
40	2	2			
50	2	1			
63	-	-			

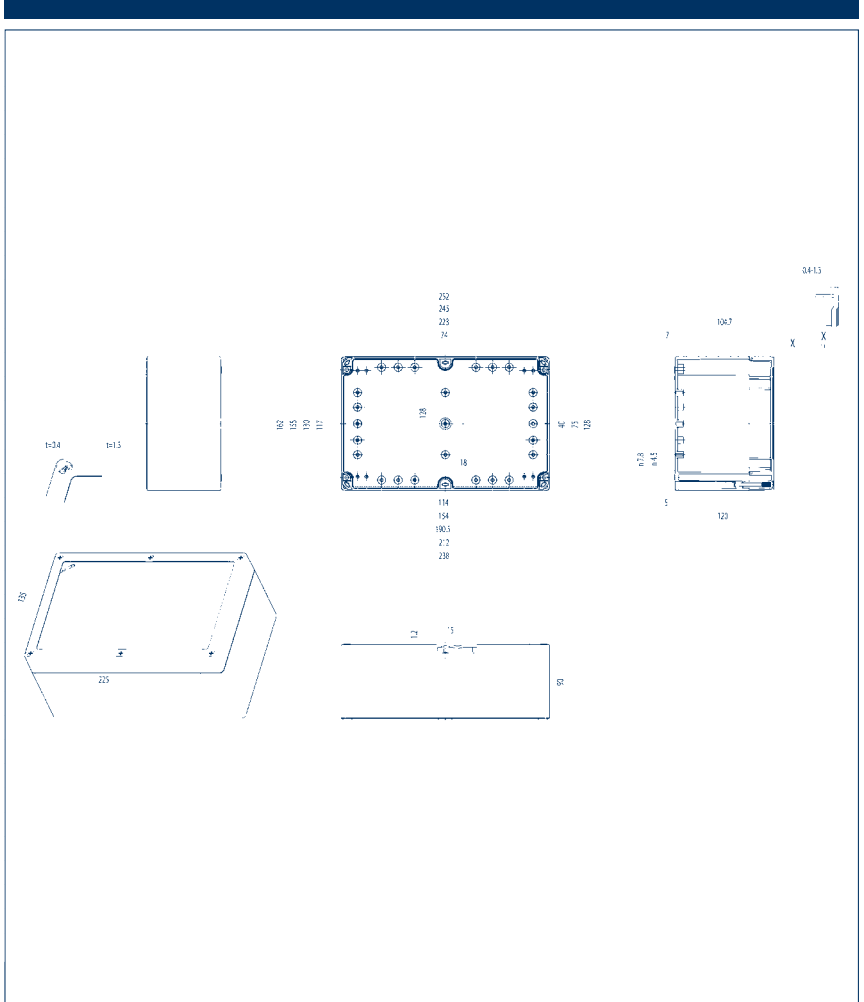
Accessories

Accessories	Qty.
DIN rail section TS15 Cat. no. 31097.0	1
DIN rail section TS35 Cat. no. 31087.0	1
Mounting plate MP Cat. no. 31077.2	1
Wall brackets WL Cat. no. 31079.2	1
Internal joints (pair) IG Cat. no. 31080.2	1

Dimension diagram



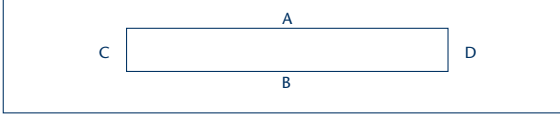
Dimension diagram



ABS housing CG | Polycarbonate housing CG-PC

CG 3023/90 CG-PC 3023/90		
Type	Cat. no.	Wt.
CK 3023/90 OV	31028.3	946g
CG-PC 3023/90 OV	31060.2	949g
CG 3023/90 OVT	31029.3	891g
CG-PC 3023/90 OVT	31061.2	945g

Threaded drill hole options



M	A/B	C/D	PG	A/B	C/D
12	24	18			
16	16	14			
20	8	6			
25	6	5			
32	4	4			
40	4	2			
50	-	-			
63	-	-			

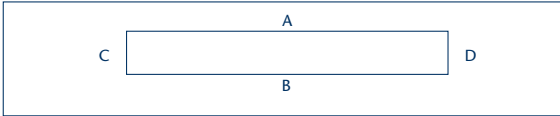
Accessories Qty.

DIN rail section TS15	TS 15/283.5/CG mm long	
Cat. no.	31098.0	1
DIN rail section TS35	TS 35/283.5/CG mm long	
Cat. no.	31088.0	1
Mounting plate MP	MP/CG 3023	
Cat. no.	31078.2	1
Wall brackets WL	WL/CG	
Cat. no.	31079.2	1
Internal joints (pair) IG	IG/CG	
Cat. no.	31080.2	1

CG 3023/110 | CG-PC 3023/110

Type	Cat. no.	Wt.
CK 3023/110 OV	31030.3	921g
CG-PC 3023/110 OV	31062.2	1042g
CG 3023/110 OVT	31031.3	965g
CG-PC 3023/110 OVT	31063.2	1052g

Threaded drill hole options

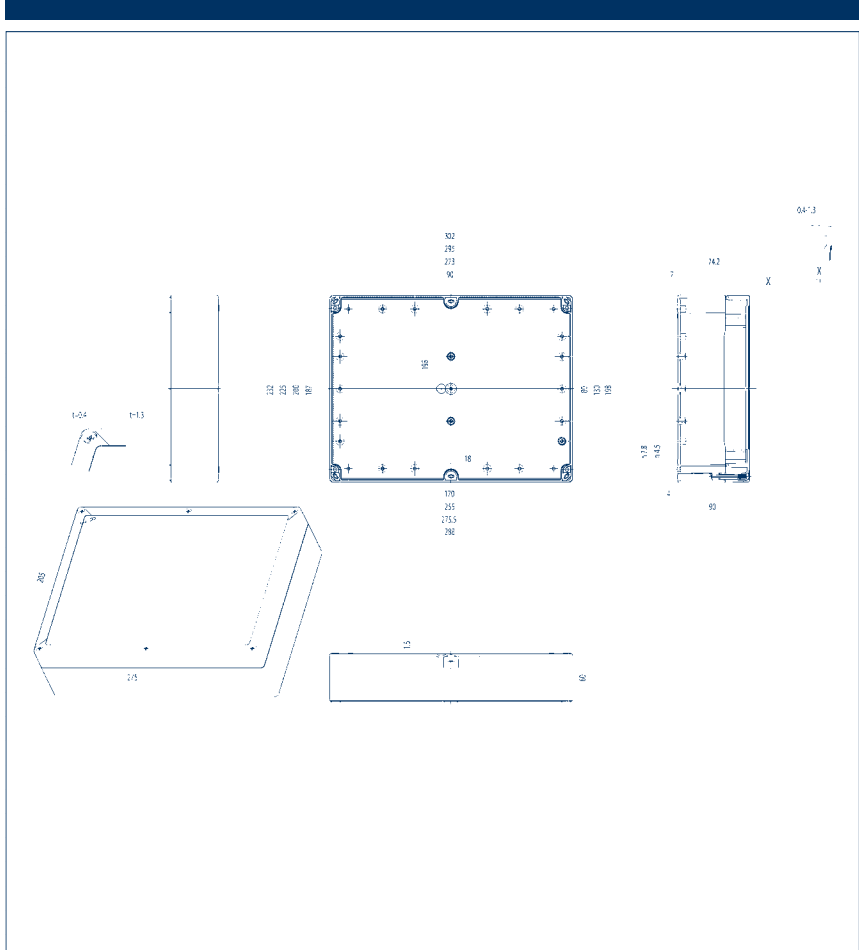


M	A/B	C/D	PG	A/B	C/D
12	36	27			
16	26	20			
20	16	12			
25	12	9			
32	6	4			
40	4	3			
50	2	2			
63	-	-			

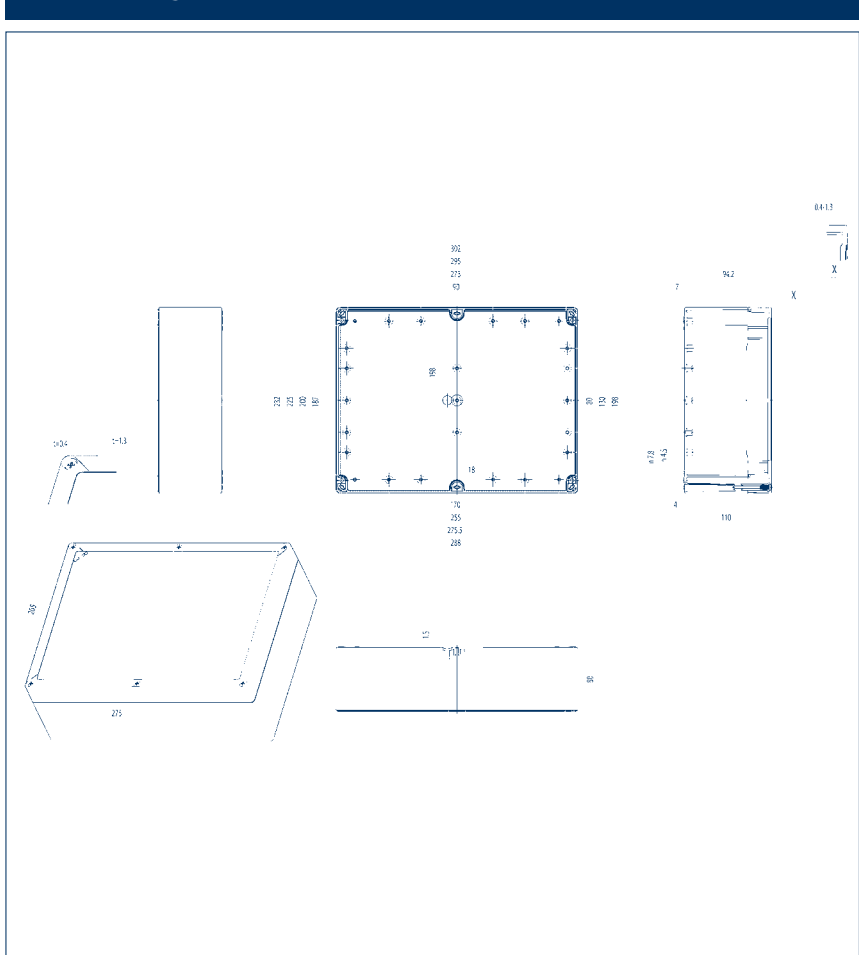
Accessories Qty.

DIN rail section TS15	TS 15/283.5/CG mm long	
Cat. no.	31098.0	1
DIN rail section TS35	TS 35/283.5/CG mm long	
Cat. no.	31088.0	1
Mounting plate MP	MP/CG 3023	
Cat. no.	31078.2	1
Wall brackets WL	WL/CG	
Cat. no.	31079.2	1
Internal joints (pair) IG	IG/CG	
Cat. no.	31080.2	1

Dimension diagram



Dimension diagram



ABS housing CG | Polycarbonate housing CG-PC

Accessories

Mounting plate



Material: Hard, melamine-laminated paper
 Colour: grey, similar to RAL 7035

Type	Cat. no.	Qty.	Housing Type	Dimensions, mm
MP/CG 88	31070.2	1	CG 88	73x53x2.5
MP/CG 1208	31071.2	1	CG1208	91x73x2.5
MP/CG 1212	31072.2	1	CG 1212	113x93x2.5
MP/CG 1608	31073.2	1	CG 1608	131x73x2.5
MP/CG 1612	31074.2	1	CG 1612	131x113x2.5
MP/CG 2012	31075.2	1	CG 2012	171x113x2.5
MP/CG 2015	31076.2	1	CG 2015	171x143x2.5
MP/CG 2516	31077.2	1	CG 2516	220x152x2.5
MP/CG 3023	31078.2	1	CG 3023	270x222x2.5

DIN rail TS35



Material: Galvanized steel

Type	Cat. no.	Qty.	Housing Type
TS 35/66/CG mm long	31080.2	1	CG 88
TS 35/104/CG mm long	31081.2	1	CG 1208
TS 35/108/CG mm long	31082.2	1	CG 1212
TS 35/144/CG mm long	31083.2	1	CG 1608/1612
TS 35/184/CG mm long	31084.2	1	CG 2012
TS 35/168/CG mm long	31085.2	1	CG 2015
TS 35/220/CG mm long	31086.2	1	CG 2516
TS 35/283.5/CG mm long	31087.2	1	CG 3023

DIN rail TS15



Material: Galvanized steel

Type	Cat. no.	Qty.	Housing Type
TS 15/66/CG mm long	31091.0	1	CG 88
TS 15/104/CG mm long	31092.0	1	CG1208
TS 15/108/CG mm long	31093.0	1	CG 1212
TS 15/144/CG mm long	31094.0	1	CG 1608/1612
TS 15/184/CG mm long	31095.0	1	CG 2012
TS 15/168/CG mm long	31096.0	1	CG 2015
TS 15/220/CG mm long	31097.0	1	CG 2516
TS 15/283.5/CG mm long	31098.0	1	CG 3023

Internal joint IG/CG



Material: Polycarbonate
 Colour: grey, similar to RAL 7035

Type	Cat. no.	Qty.	Housing Type
IG/CG	31080.2	1	CG 1612, CG 2012, CG 2015, CG 2516, CG 3023

Interior joint kit for converting the housing cover to a hinged door: including 2 hinges, drilling template and mounting screws

Wall brackets WL/CG



Material: Polycarbonate
 Colour: grey, similar to RAL 7035

Type	Cat. no.	Qty.	Housing Type
WL/CG	31079.2	1	All CG housings

Wall bracket set made of plastic: including mounting screws, set = 4 pieces

Polystyrene housing CK

Polystyrene housing

- 13 basic housings with up to 3 different cover heights
- Grey or transparent cover
- Material: polystyrene
- Smooth side walls or pre-scored metric knock-out openings
- A comprehensive line of accessories



Technical data

Material
Protection
Toxicity characteristics
Flammability class according to UL 94
Thermal stability
Chemical resistance
Sea water resistance
UV resistance
Colour
Impact resistance

Polystyrene
IP66
halogen-free and cadmium-free
V2
-40°C to +70°C
good
good
satisfactory
grey, similar to RAL 7035
IK07 DIN EN 5012

Outer dimensions	Size Diagram	Grey polystyrene cover Lower part with knock-outs	
		Type	Cat. no.
65 65 57	19	CK 77/57 MV	4316.3
65 65 81	19	CK 77/81 MV	4318.3
94 65 57	19	CK 97/57 MV	4320.3
94 65 81	19	CK 97/81 MV	4322.3
94 94 57	20	CK 99/57 MV	4324.3
94 94 81	20	CK 99/81 MV	4326.3
110 110 66	20	CK 1111/66 MV	4328.3
110 110 90	20	CK 1111/90 MV	4330.3
130 94 57	21	CK 1309/57 MV	4332.3
130 94 81	21	CK 1309/81 MV	4334.3
130 130 75	21	CK 1313/75 MV	4336.3
130 130 99	21	CK 1313/99 MV	4338.3
180 94 57	22	CK 1809/57 MV	4340.3
180 94 81	22	CK 1809/81 MV	4342.3
180 110 90	22	CK 1811/90 MV	4344.3
180 110 111	22	CK 1811/111 MV	4346.3
180 110 165	22	CK 1811/165 MV	4348.3
180 130 63	23	CK 1813/63 MV	31108.3
180 130 84	23	CK 1813/84 MV	31110.3
180 130 90	23	CK 1813/90 MV	31112.3
180 130 111	23	CK 1813/111 MV	31100.3
180 130 165	23	CK 1813/165 MV	31104.3
182 180 90	24	CK 1818/90 MV	4350.3
182 180 111	24	CK 1818/111 MV	4352.3
182 180 165	24	CK 1818/165 MV	4354.3
254 180 63	24	CK 2518/63 MV	4356.3
254 180 84	24	CK 2518/84 MV	4358.3
254 180 90	25	CK 2518/90 MV	4360.3
254 180 111	25	CK 2518/111 MV	4362.3
254 180 165	25	CK 2518/165 MV	4364.3
254 180 215	25		
361 254 111	26	CK 3625/111 MV	4366.3
361 254 165	26	CK 3625/165 MV	4368.3

Grey polystyrene cover	
Type	Cat. no.
CK 77/57 OV	4201.3
CK 77/81 OV	4205.3
CK 97/57 OV	4209.3
CK 97/81 OV	4213.3
CK 99/57 OV	4217.3
CK 99/81 OV	4221.3
CK 1111/66 OV	4225.3
CK 1111/90 OV	4229.3
CK 1309/57 OV	4233.3
CK 1309/81 OV	4237.3
CK 1313/75 OV	4241.3
CK 1313/99 OV	4245.3
CK 1809/57 OV	4249.3
CK 1809/81 OV	4253.3
CK 1811/90 OV	4257.3
CK 1811/111 OV	4261.3
CK 1811/165 OV	4265.3
CK 1813/63 OV	31113.3
CK 1813/84 OV	31111.3
CK 1813/90 OV	31113.3
CK 1813/111 OV	31101.3
CK 1813/165 OV	31105.3
CK 1818/90 OV	4269.3
CK 1818/111 OV	4273.3
CK 1818/165 OV	4277.3
CK 2518/63 OV	4194.3
CK 2518/84 OV	4196.3
CK 2518/90 OV	4285.3
CK 2518/111 OV	4289.3
CK 2518/165 OV	4293.3
CK 2518/215 OV	4297.3
CK 3625/111 OV	4301.3
CK 3625/165 OV	4305.3

Polycarbonate cover, transparent Lower part with knock-outs	
Type	Cat. no.
CK 77/57 MVT	4317.3
CK 77/81 MVT	4319.3
CK 97/57 MVT	4321.3
CK 97/81 MVT	4323.3
CK 99/57 MVT	4325.3
CK 99/81 MVT	4327.3
CK 1111/66 MVT	4329.3
CK 1111/90 MVT	4331.3
CK 1309/57 MVT	4333.3
CK 1309/81 MVT	4335.3
CK 1313/75 MVT	4337.3
CK 1313/99 MVT	4339.3
CK 1809/57 MVT	4341.3
CK 1809/81 MVT	4343.3
CK 1811/90 MVT	4345.3
CK 1811/111 MVT	4347.3
CK 1811/165 MVT	4349.3

Polycarbonate cover, transparent	
Type	Cat. no.
CK 77/57 OVT	4203.3
CK 77/81 OVT	4207.3
CK 97/57 OVT	4211.3
CK 97/81 OVT	4215.3
CK 99/57 OVT	4219.3
CK 99/81 OVT	4223.3
CK 1111/66 OVT	4227.3
CK 1111/90 OVT	4231.3
CK 1309/57 OVT	4235.3
CK 1309/81 OVT	4239.3
CK 1313/75 OVT	4243.3
CK 1313/99 OVT	4247.3
CK 1809/57 OVT	4251.3
CK 1809/81 OVT	4255.3
CK 1811/90 OVT	4259.3
CK 1811/111 OVT	4263.3
CK 1811/165 OVT	4267.3
CK 1813/90 OVT	31115.3
CK 1813/111 OVT	31103.3
CK 1813/165 OVT	31107.3
CK 1818/90 OVT	4271.3
CK 1818/111 OVT	4275.3
CK 1818/165 OVT	4279.3
CK 2518/63 OVT	4195.3
CK 2518/84 OVT	4197.3
CK 2518/90 OVT	4283.3
CK 2518/111 OVT	4291.3
CK 2518/165 OVT	4295.3
CK 2518/215 OVT	4299.3
CK 3625/111 OVT	4303.3
CK 3625/165 OVT	4307.3

Polycarbonate cover, transparent	
Type	Cat. no.
CK 77/57 OVT	4203.3
CK 77/81 OVT	4207.3
CK 97/57 OVT	4211.3
CK 97/81 OVT	4215.3
CK 99/57 OVT	4219.3
CK 99/81 OVT	4223.3
CK 1111/66 OVT	4227.3
CK 1111/90 OVT	4231.3
CK 1309/57 OVT	4235.3
CK 1309/81 OVT	4239.3
CK 1313/75 OVT	4243.3
CK 1313/99 OVT	4247.3
CK 1809/57 OVT	4251.3
CK 1809/81 OVT	4255.3
CK 1811/90 OVT	4259.3
CK 1811/111 OVT	4263.3
CK 1811/165 OVT	4267.3
CK 1813/90 OVT	31115.3
CK 1813/111 OVT	31103.3
CK 1813/165 OVT	31107.3
CK 1818/90 OVT	4271.3
CK 1818/111 OVT	4275.3
CK 1818/165 OVT	4279.3
CK 2518/63 OVT	4195.3
CK 2518/84 OVT	4197.3
CK 2518/90 OVT	4283.3
CK 2518/111 OVT	4291.3
CK 2518/165 OVT	4295.3
CK 2518/215 OVT	4299.3
CK 3625/111 OVT	4303.3
CK 3625/165 OVT	4307.3

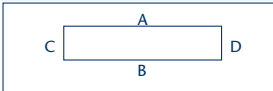
Polystyrene housing CK

CK 77/57 | CK 77/81

Type	Cat. no.	Wt.
CK 77/57 MV	4316.3	85g
CK 77/57 OV	4201.3	82g
CK 77/57 MVT	4317.3	85g
CK 77/57 OVT	4203.3	84g
CK 77/81 MV	4318.3	120g
CK 77/81 OV	4205.3	113g
CK 77/81 MVT	4319.3	120g
CK 77/81 OVT	4207.3	122g

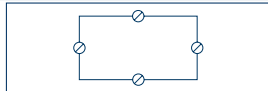
Threaded drill hole options

without knock-outs



M	A/B	C/D
12	2	2
16	1	1
20	1	1
25	-	-
32	-	-
40	-	-
50	-	-
63	-	-

with metric knock-outs

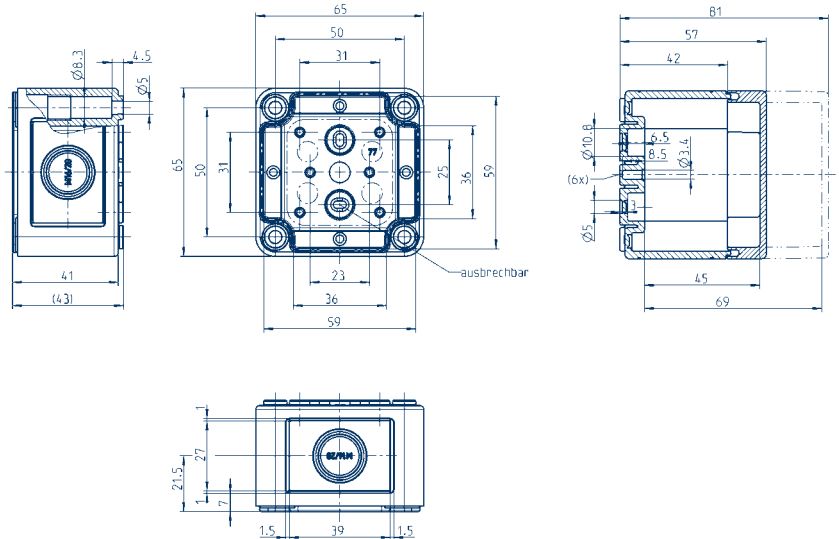


Knock-outs	A/B	C/D
M16/20	1	1

Accessories

		Qty.
DIN rail section TS15	TS 15 / 45 mm long	
Cat. no.	4559.0	1
DIN rail section TS35		
Cat. no.		
Mounting plate MP	MP/CK 77	
Cat. no.	4511.0	1
Wall brackets WL	WL/CK	
Cat. no.	4512.1	1
External joints (pair) AG	AG/CK 77-CK 1809	
Cat. no.	4512.2	1

Dimension diagram

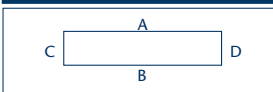


CK 97/57 | CK 97/81

Type	Cat. no.	Wt.
CK 97/57 MV	4320.3	86g
CK 97/57 OV	4209.3	104g
CK 97/57 MVT	4321.3	120g
CK 97/57 OVT	4211.3	105g
CK 97/81 MV	4322.3	147g
CK 97/81 OV	4213.3	142g
CK 97/81 MVT	4323.3	128g
CK 97/81 OVT	4215.3	151g

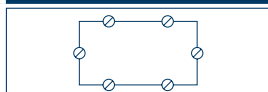
Threaded drill hole options

without knock-outs



M	A/B	C/D
12	3	2
16	2	1
20	2	1
25	1	1
32	-	-
40	-	-
50	-	-
63	-	-

with metric knock-outs

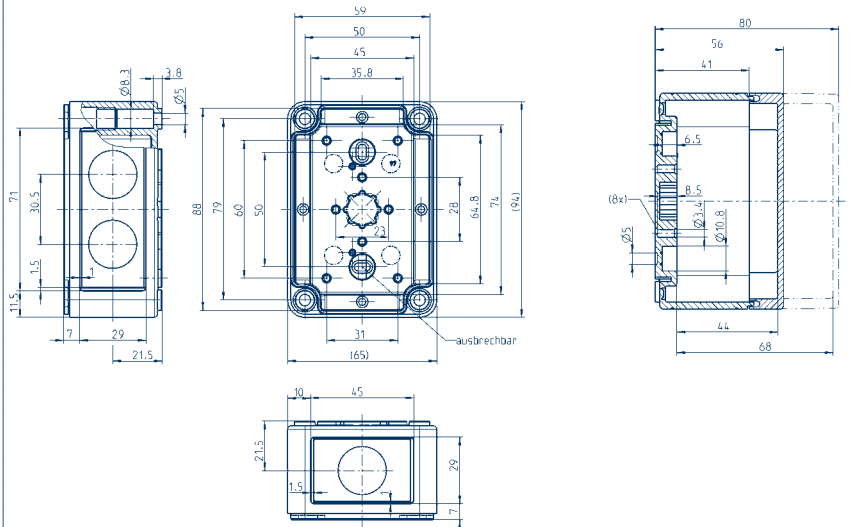


Knock-outs	A/B	C/D
M16/20	2	1

Accessories

		Qty.
DIN rail section TS15	TS 15 / 75 mm long	
Cat. no.	4559.1	1
DIN rail section TS35		
Cat. no.		
Mounting plate MP	MP/CK 97	
Cat. no.	4511.1	1
Wall brackets WL	WL/CK	
Cat. no.	4512.1	1
External joints (pair) AG	AG/CK 77-CK 1809	
Cat. no.	4512.2	1

Dimension diagram



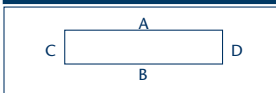
Knock-outs: ○ =M16/20 ○ =M20 ● =M20/25
 ● =M25/32 ● =M32/40

Polystyrene housing CK

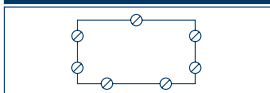
CK 99/57 CK 99/81		
Type	Cat. no.	Wt.
CK 99/57 MV	4316.3	85g
CK 99/57 OV	4201.3	82g
CK 99/57 MVT	4317.3	85g
CK 99/57 OVT	4203.3	84g
CK 99/81 MV	4318.3	120g
CK 99/81 OV	4205.3	113g
CK 99/81 MVT	4319.3	120g
CK 99/81 OVT	4207.3	122g

Threaded drill hole options

without knock-outs



with metric knock-outs

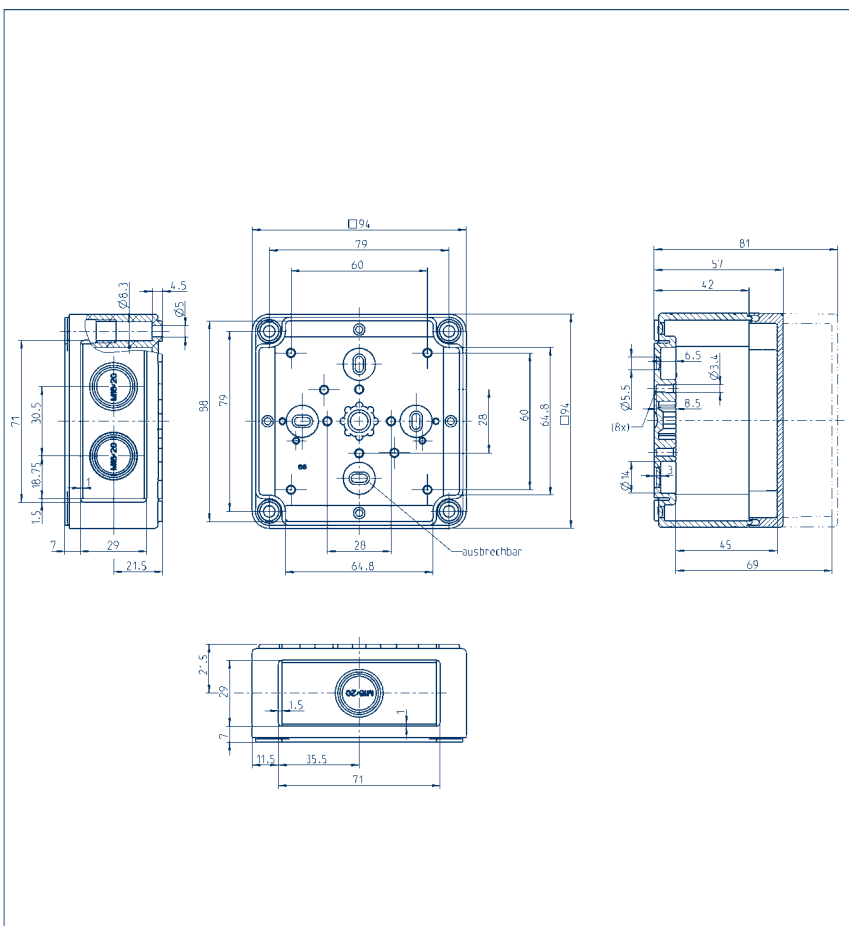


M	A/B	C/D	Knock-outs	A/B	C/D
12	3	3	M16/20	1	2
16	2	2			
20	2	2			
25	-	-			
32	-	-			
40	-	-			
50	-	-			
63	-	-			

Accessories

		Qty.
DIN rail section TS15	TS 15 / 75 mm long	
Cat. no.	4559.1	1
DIN rail section TS35		
Cat. no.		
Mounting plate MP	MP/CK 99	
Cat. no.	4511.2	1
Wall brackets WL	WL/CK	
Cat. no.	4512.1	1
External joints (pair) AG	AG/CK 77-CK 1809	
Cat. no.	4512.2	1

Dimension diagram

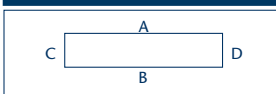


CK 1111/66 | CK 1111/90

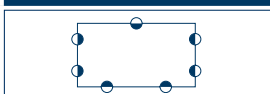
Type	Cat. no.	Wt.
CK 1111/66 MV	4328.3	181g
CK 1111/66 OV	4225.3	171g
CK 1111/66 MVT	4329.3	181g
CK 1111/66 OVT	4227.3	180g
CK 1111/90 MV	4330.3	242g
CK 1111/90 OV	4229.3	225g
CK 1111/90 MVT	4331.3	242g
CK 1111/90 OVT	4231.3	242g

Threaded drill hole options

without knock-outs



with metric knock-outs

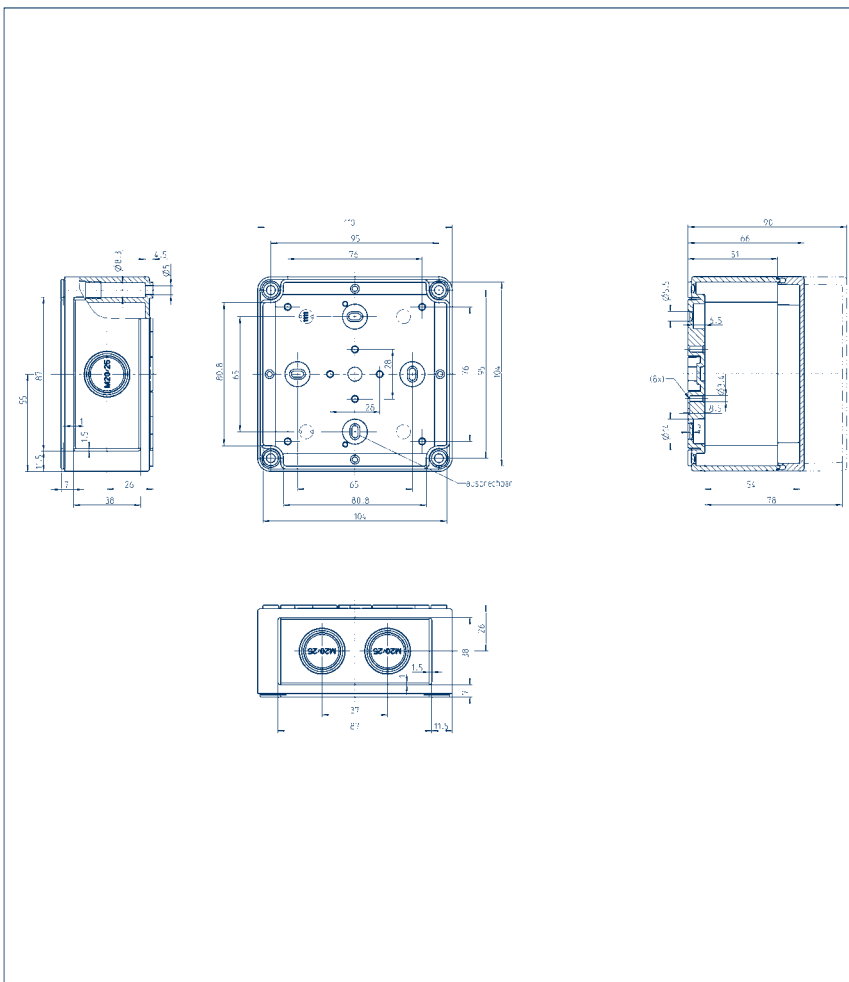


M	A/B	C/D	Knock-outs	A/B	C/D
12	8	8	M20/25	1	2
16	4	4			
20	2	2			
25	2	2			
32	-	-			
40	-	-			
50	-	-			
63	-	-			

Accessories

		Qty.
DIN rail section TS15	TS 15 / 87 mm long	
Cat. no.	4559.2	1
DIN rail section TS35	TS 35 / 87 mm long	
Cat. no.	4559.3	1
Mounting plate MP	MP/CK 1111	
Cat. no.	4511.3	1
Wall brackets WL	WL/CK	
Cat. no.	4512.1	1
External joints (pair) AG	AG/CK 77-CK 1809	
Cat. no.	4512.2	1

Dimension diagram



Knock-outs: ○ =M16/20 ○ =M20 ● =M20/25
● =M25/32 ● =M32/40

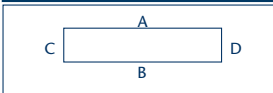
Polystyrene housing CK

CK 1309/57 | CK 1309/81

Type	Cat. no.	Wt.
CK 1309/57 MV	4332.3	155g
CK 1309/57 OV	4233.3	159g
CK 1309/57 MVT	4333.3	165g
CK 1309/57 OVT	4235.3	163g
CK 1309/81 MV	4334.3	200g
CK 1309/81 OV	4237.3	220g
CK 1309/81 MVT	4335.3	200g
CK 1309/81 OVT	4239.3	227g

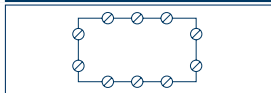
Threaded drill hole options

without knock-outs



M	A/B	C/D
12	5	3
16	4	2
20	3	2
25	2	1
32	-	-
40	-	-
50	-	-
63	-	-

with metric knock-outs

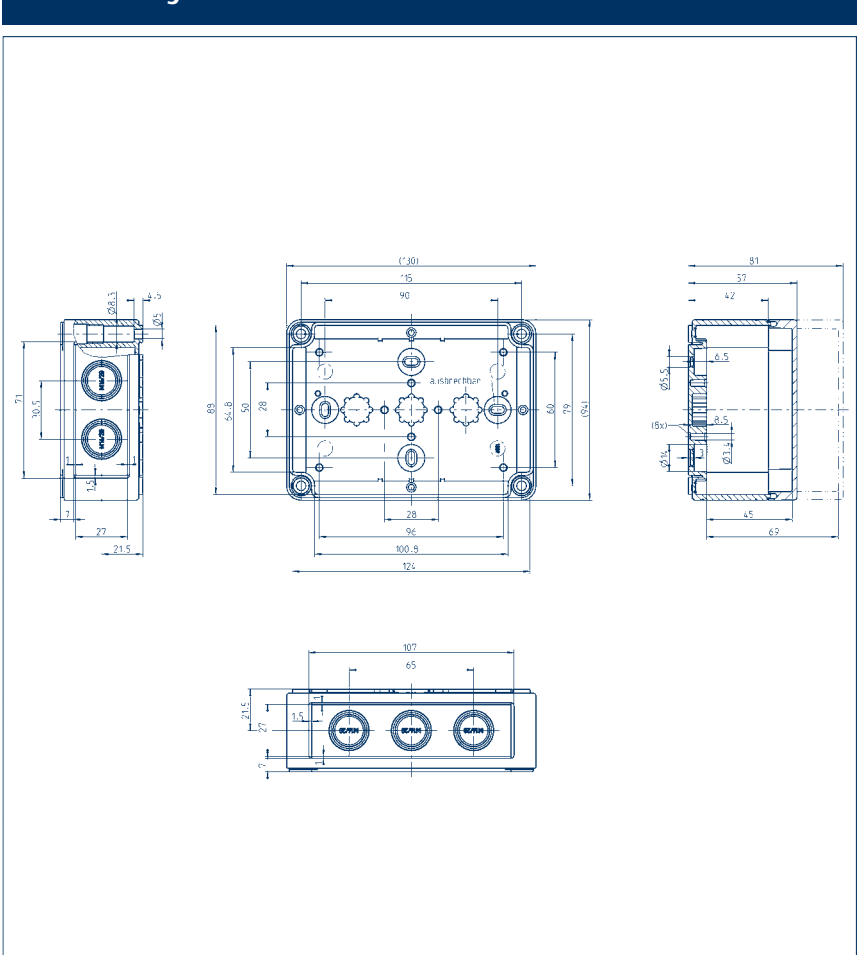


Knock-outs	A/B	C/D
M16/20	3	2

Accessories

		Qty.
DIN rail section TS15	TS 15 / 106 mm long	
Cat. no.	4559.4	1
DIN rail section TS35	TS 35 / 106 mm long	
Cat. no.	4559.5	1
Mounting plate MP	MP/CK 1309	
Cat. no.	4511.4	1
Wall brackets WL	WL/CK	
Cat. no.	4512.1	1
External joints (pair) AG	AG/CK 77-CK 1809	
Cat. no.	4512.2	1

Dimension diagram

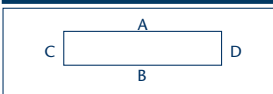


CK 1313/75 | CK 1313/99

Type	Cat. no.	Wt.
CK 1313/75 MV	4336.3	221g
CK 1313/75 OV	4241.3	228g
CK 1313/75 MVT	4337.3	243g
CK 1313/75 OVT	4243.3	239g
CK 1313/99 MV	4338.3	282g
CK 1313/99 OV	4245.3	284g
CK 1313/99 MVT	4339.3	267g
CK 1313/99 OVT	4247.3	302g

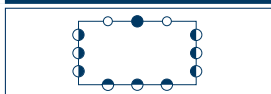
Threaded drill hole options

without knock-outs



M	A/B	C/D
12	10	10
16	6	6
20	3	3
25	3	3
32	2	2
40	-	-
50	-	-
63	-	-

with metric knock-outs

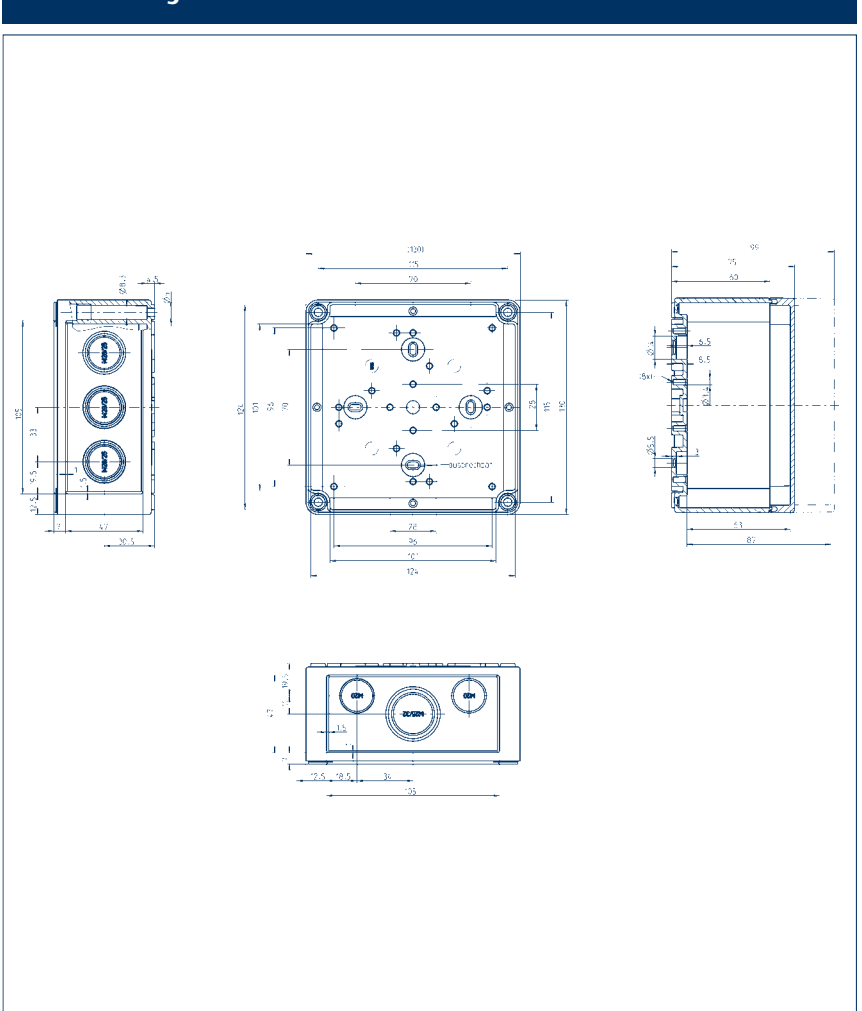


Knock-outs	A/B	C/D
M20	2	-
M20/25	-	3
M25/32	1	-

Accessories

		Qty.
DIN rail section TS15	TS 15 / 106 mm long	
Cat. no.	4559.4	1
DIN rail section TS35	TS 35 / 106 mm long	
Cat. no.	4559.5	1
Mounting plate MP	MP/CK 1313	
Cat. no.	4511.5	1
Wall brackets WL	WL/CK	
Cat. no.	4512.1	1
External joints (pair) AG	AG/CK 77-CK 1809	
Cat. no.	4512.2	1

Dimension diagram



Knock-outs: ○ =M16/20 ○ =M20 ● =M20/25
● =M25/32 ● =M32/40

Polystyrene housing CK

CK 1809/57 CK 1809/81		
Type	Cat. no.	Wt.
CK 1809/57 MV	4340.3	212g
CK 1809/57 OV	4249.3	202g
CK 1809/57 MVT	4341.3	212g
CK 1809/57 OVT	4251.3	208g
CK 1809/81 MV	4342.3	277g
CK 1809/81 OV	4253.3	280g
CK 1809/81 MVT	4343.3	277g
CK 1809/81 OVT	4255.3	284g

Threaded drill hole options

without knock-outs			with M knock-out		
M	A/B	C/D	Knock-outs	A/B	C/D
12	8	3	M16/20	5	2
16	6	2			
20	5	2			
25	4	1			
32	-	-			
40	-	-			
50	-	-			
63	-	-			

Accessories		Qty.
DIN rail section TS15	TS 15 / 147mm long	
Cat. no.	4559.6	1
DIN rail section TS35	TS 35 / 144 mm long	
Cat. no.	4507.4	1
Mounting plate MP	MP/CK 1809	
Cat. no.	4511.6	1
Wall brackets WL	WL/CK	
Cat. no.	4512.1	1
External joints (pair) AG	AG/CK 77-CK 1813	
Cat. no.	4512.2	1

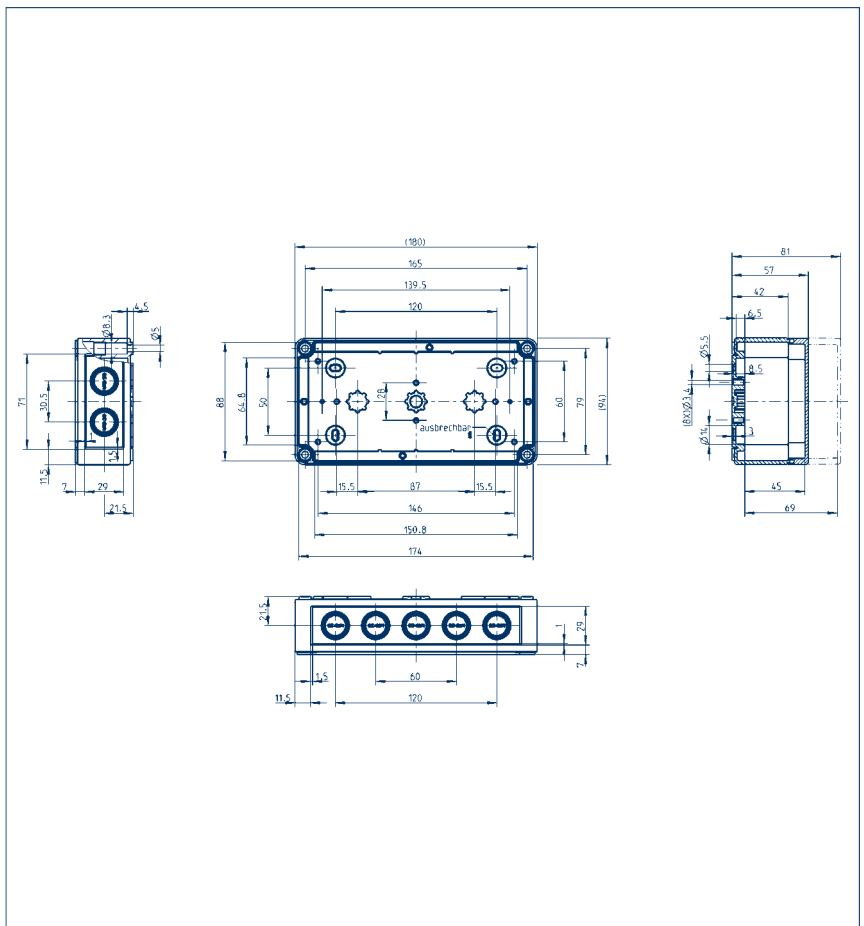
CK 1811/90 CK 1811/111 CK 1811/165		
Type	Cat. no.	Wt.
CK 1811/90 MV	4344.3	310g
CK 1811/90 OV	4257.3	314g
CK 1811/90 MVT	4345.3	344g
CK 1811/90 OVT	4259.3	334g
CK 1811/111 MV	4346.3	383g
CK 1811/111 OV	4261.3	356g
CK 1811/111 MVT	4347.3	383g
CK 1811/111 OVT	4263.3	387g
CK 1811/165 MV	4348.3	513g
CK 1811/165 OV	4265.3	483g
CK 1811/165 MVT	4349.3	513g
CK 1811/165 OVT	4267.3	538g

Threaded drill hole options			without knock-outs			with M knock-out		
M	A/B	C/D	Knock-outs	A/B	C/D	Knock-outs	A/B	C/D
12	20	12	M 20	4	4			
16	10	6	M 20/25	-	1			
20	8	5	M 32/40	1	-			
25	5	3						
32	3	1						
40	2	1						
50	1	1						
63	-	-						

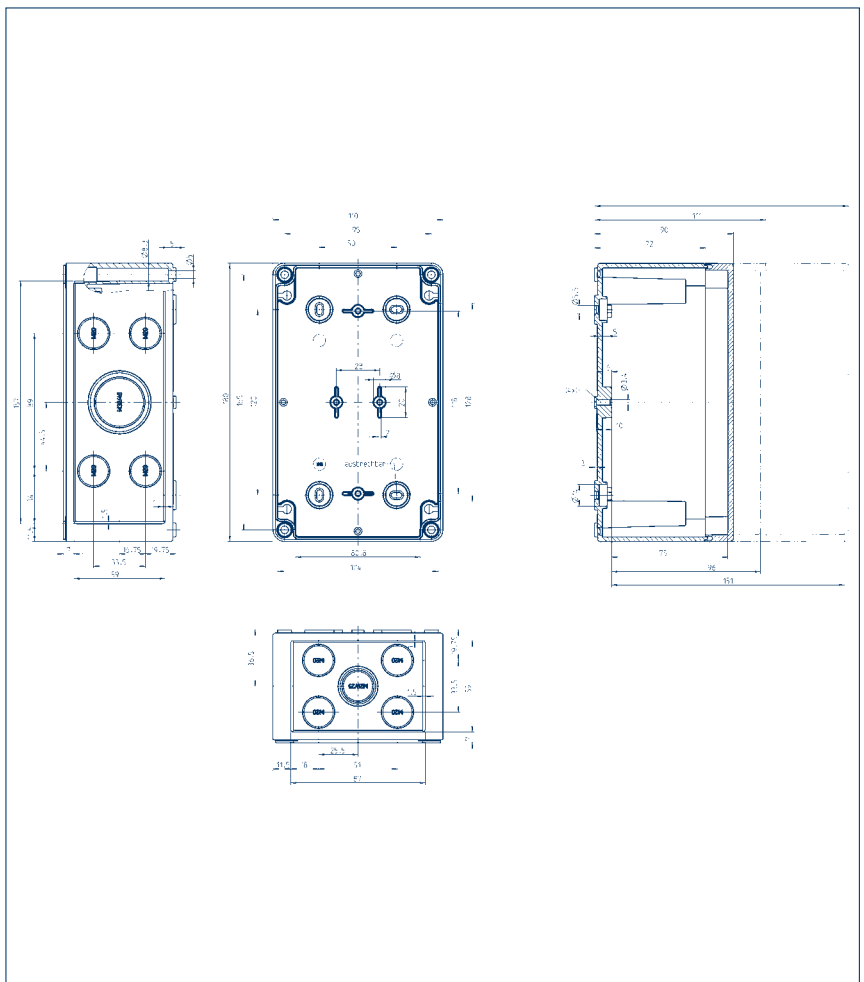
Accessories		Qty.
DIN rail section TS15		
Cat. no.		
DIN rail section TS35	TS 35 / 144 mm long	
Cat. no.	4507.4	1
Mounting plate MP	MP/CK 1811	
Cat. no.	4511.7	1
Wall brackets WL	WL/CK	
Cat. no.	4512.1	1
External joints (pair) AG	AG/CK 1811-CK 3625	
Cat. no.	4512.3	1

Knock-outs: ○ =M16/20 ○ =M20 ● =M20/25
● =M25/32 ● =M32/40

Dimension diagram



Dimension diagram

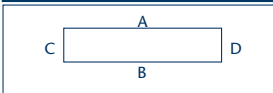


Polystyrene housing CK

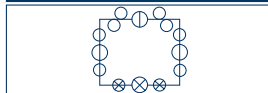
CK 1813/63 CK 1813/84		
Type	Cat. no.	Wt.
CK 1813/63 MV	31108.3	345g
CK 1813/63 OV	31113.3	420g
CK 1813/84 MV	31110.3	545g
CK 1813/84 OV	31111.3	355g

Threaded drill hole options

without knock-outs



with M knock-out



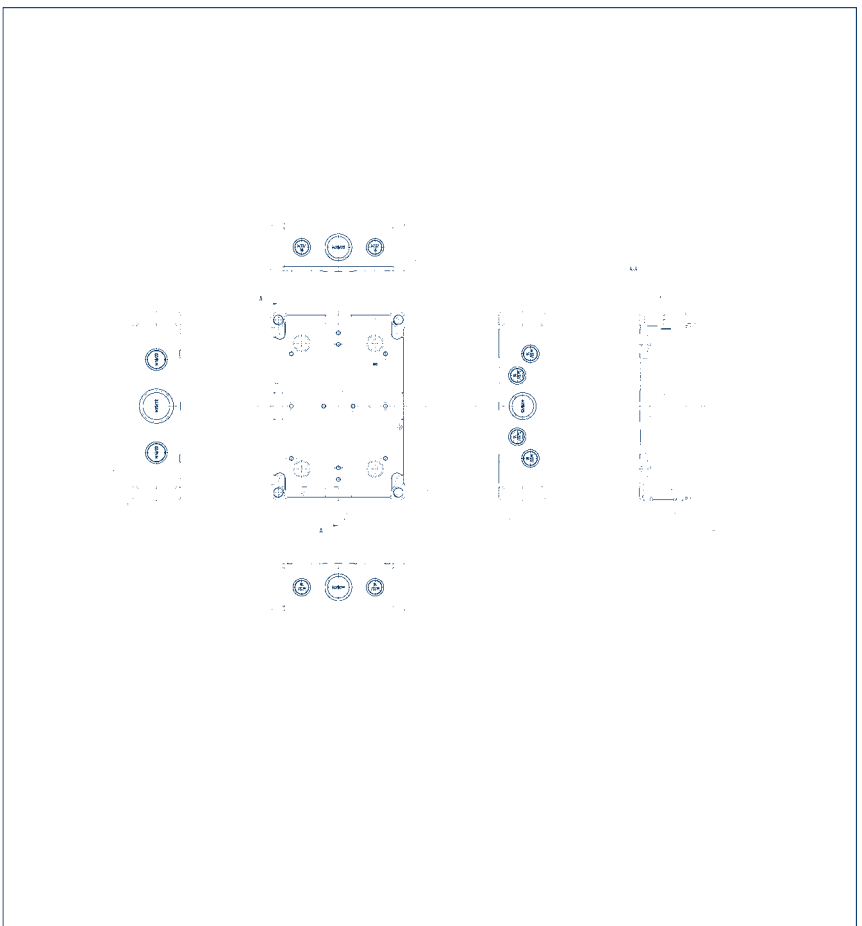
	12	A/B	C/D	Knock-outs	A/B	C/D
	16	12	10	M12/16	4	4
	20	5	4	M16/20	2	-
	25	4	3	M20/25	1	2
	32	3	2	M25/32	1	-
	40	1*	1*			
	50	-	-			
	63	-	-			
	63	-	-			

* Cannot be rotated

Accessories

		Qty.
DIN rail section TS15		
Cat. no.		
DIN rail section TS35	TS 35 / 144 mm long	1
Cat. no.	4507.4	
Mounting plate MP	MP/CK 1813	1
Cat. no.	4563.4	
Wall brackets WL	WL/CK	1
Cat. no.	4512.1	
External joints (pair) AG	AG/CK 1811-CK 3625	1
Cat. no.	4512.3	

Dimension diagram

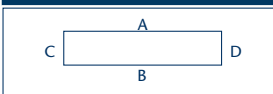


CK 1813/90 | CK 1813/111 | CK 1813/165

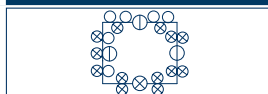
Type	Cat. no.	Wt.
CK 1813/90 MV	31112.3	290g
CK 1813/90 OV	31113.3	365g
CK 1813/90 MVT	31114.3	355g
CK 1813/90 OVT	31115.3	295g
CK 1813/111 MV	31100.3	440g
CK 1813/111 OV	31101.3	371g
CK 1813/111 MVT	31102.3	577g
CK 1813/111 OVT	31103.3	435g
CK 1813/165 MV	31104.3	360g
CK 1813/165 OV	31105.3	585g
CK 1813/165 MVT	31106.3	410g
CK 1813/165 OVT	31107.3	545g

Threaded drill hole options

without knock-outs



with M knock-out



M	A/B	C/D	Knock-outs	A/B	C/D
12	20*	15	M 12/16	4	2
16	10	8	M 16/20	6	7
20	8	6	M 20/25	1	2
25	5	3	M 25/32	1	-
32	3*	2			
40	2	1			
50	1*	1*			
63	-	-			

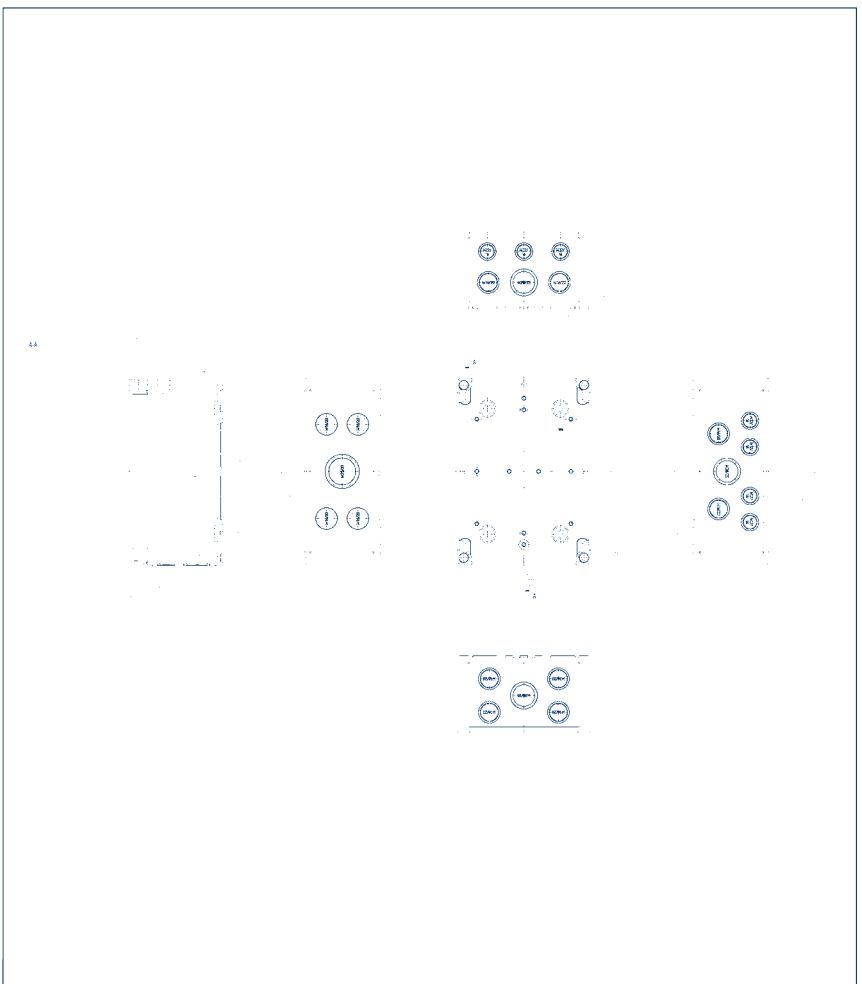
* Cannot be rotated

Accessories

		Qty.
DIN rail section TS15		
Cat. no.		
DIN rail section TS35	TS 35 / 144 mm long	1
Cat. no.	4507.4	
Mounting plate MP	MP/CK 1813	1
Cat. no.	4563.4	
Wall brackets WL	WL/CK	1
Cat. no.	4512.1	
External joints (pair) AG	AG/CK 1811-CK 3625	1
Cat. no.	4512.3	

Knock-outs: ○ =M16/20 ○ =M20 ● =M20/25
● =M25/32 ● =M32/40

Dimension diagram



Polystyrene housing CK

CK 1818/90 CK 1818/111 CK 1818/165		
Type	Cat. no.	Wt.
CK 1818/90 MV	4350.3	432g
CK 1818/90 OV	4269.3	436g
CK 1818/90 MVT	4351.3	453g
CK 1818/90 OVT	4271.3	469g
CK 1818/111 MV	4352.3	525g
CK 1818/111 OV	4273.3	510g
CK 1818/111 MVT	4353.3	525g
CK 1818/111 OVT	4275.3	525g
CK 1818/165 MV	4354.3	675g
CK 1818/165 OV	4277.3	634g
CK 1818/165 MVT	4355.3	675g
CK 1818/165 OVT	4279.3	675g

Threaded drill hole options					
without knock-outs			with M knock-out		
M	A/B	C/D	Knock-outs	A/B	C/D
12	23	20	M 20	8	4
16	12	10	M 32/40	1	1
20	10	8			
25	5	5			
32	3	3			
40	3	2			
50	2	1			
63	-	-			

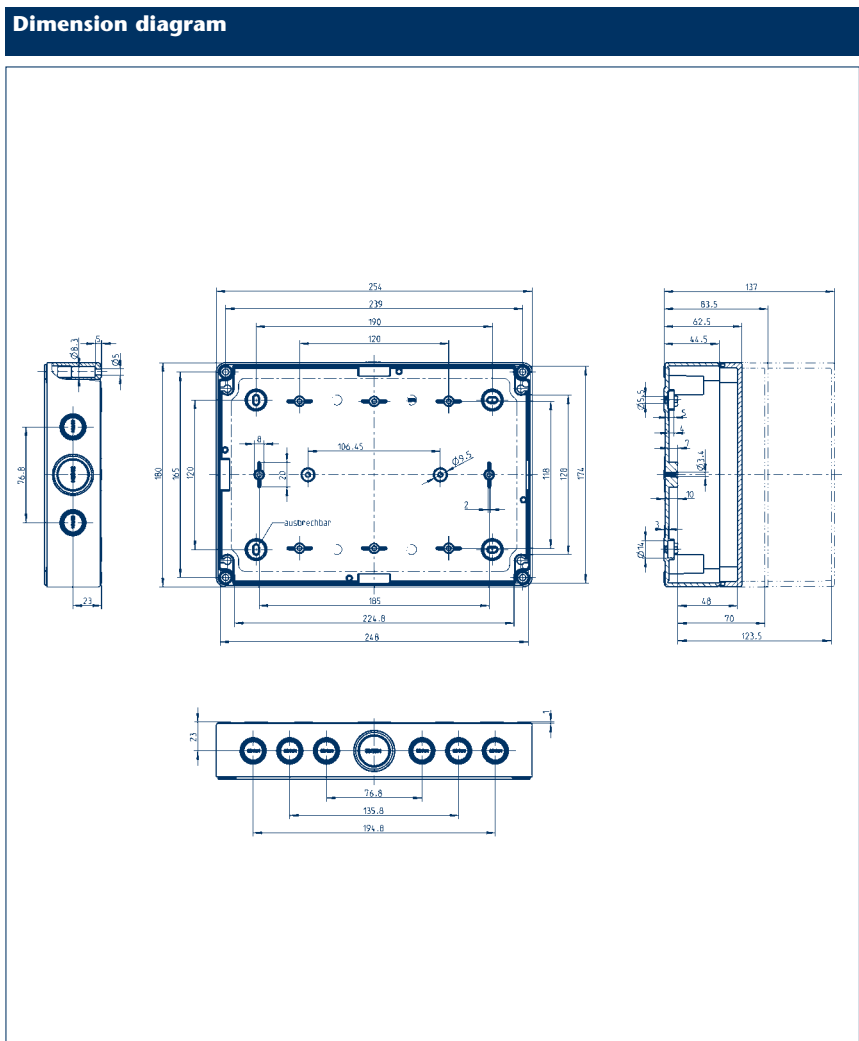
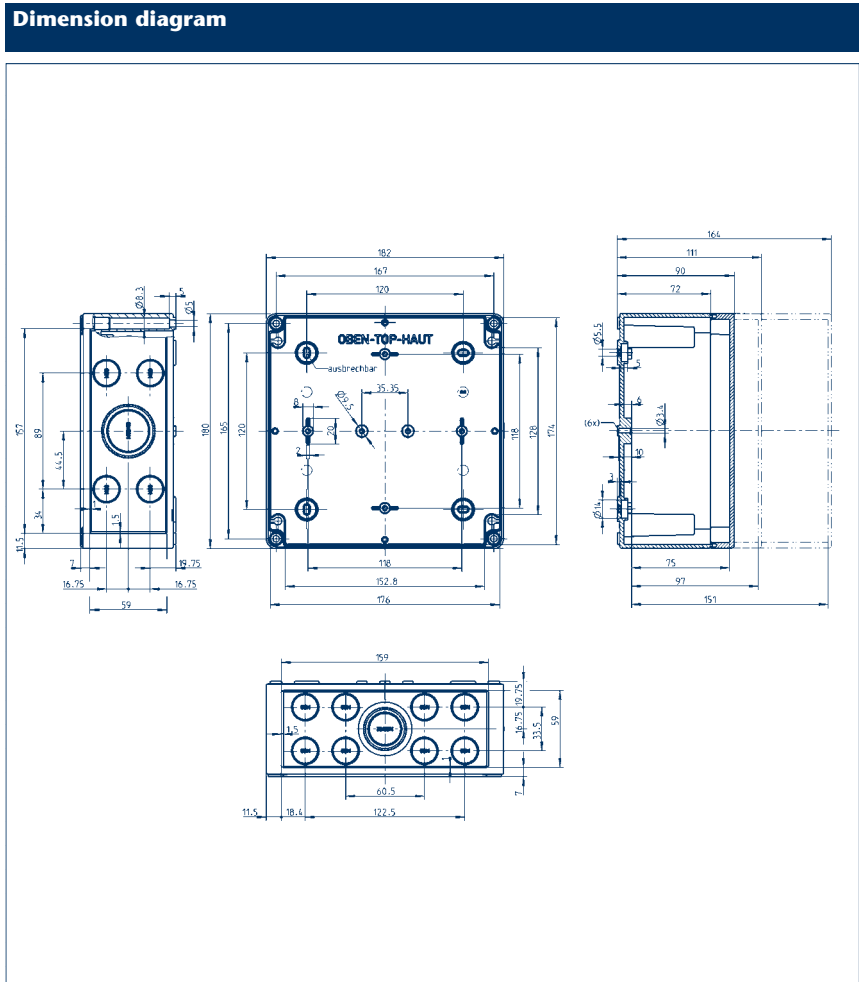
Accessories		Qty.
DIN rail section TS15		
Cat. no.		
DIN rail section TS35	TS 35 / 144 mm long	
Cat. no.	4507.4	1
Mounting plate MP	MP/CK 1818	
Cat. no.	4511.8	1
Wall brackets WL	WL/CK	
Cat. no.	4512.1	1
External joints (pair) AG	AG/CK 1811-CK 3625	
Cat. no.	4512.3	1

CK 2518/63 CK 2518/84		
Type	Cat. no.	Wt.
CK 2518/63 MV	4356.3	575g
CK 2518/63 OV	4194.3	582g
CK 2518/63 MVT	4357.3	575g
CK 2518/63 OVT	4195.3	582g
CK 2518/84 MV	4358.3	585g
CK 2518/84 OV	4196.3	592g
CK 2518/84 MVT	4359.3	585g
CK 2518/84 OVT	4197.3	592g

Threaded drill hole options					
without knock-outs			with M knock-out		
M	A/B	C/D	Knock-outs	A/B	C/D
12	22	12	M 16/20	12	4
16	10	5	M 25/32	2	2
20	7	4			
25	6	3			
32	1	1			
40	-	-			
50	-	-			
63	-	-			

Accessories		Qty.
DIN rail section TS15		
Cat. no.		
DIN rail section TS35	TS 35 / 144 mm long	
Cat. no.	4507.4	1
Mounting plate MP	MP/CK 2518	
Cat. no.	4511.9	1
Wall brackets WL	WL/CK	
Cat. no.	4512.1	1
External joints (pair) AG	AG/CK 1811-CK 3625	
Cat. no.	4512.3	1

Knock-outs: ○ =M16/20 ○ =M20 ● =M20/25
● =M25/32 ● =M32/40



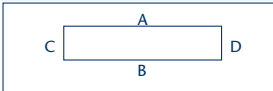
Polystyrene housing CK

CK 2518/90 | CK 2518/111

Type	Cat. no.	Wt.
CK 2518/90 MV	4360.3	564g
CK 2518/90 OV	4285.3	586g
CK 2518/90 MVT	4361.3	638g
CK 2518/90 OVT	4287.3	625g
CK 2518/111 MV	4362.3	612g
CK 2518/111 OV	4289.3	644g
CK 2518/111 MVT	4363.3	700g
CK 2518/111 OVT	4291.3	671g

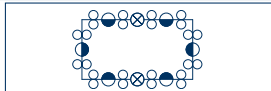
Threaded drill hole options

without knock-outs



	A/B	C/D
12	33	20
16	18	10
20	14	8
25	11	5
32	5	3
40	4	2
50	3	1
63	-	-

with M knock-out

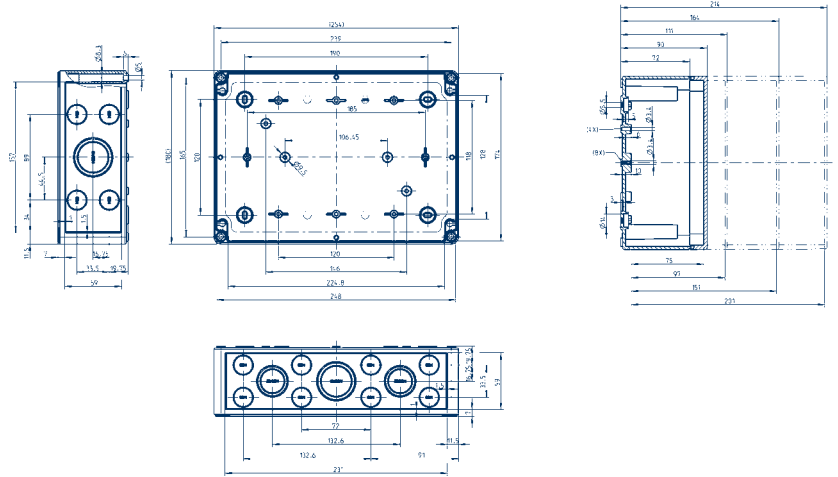


Knock-outs	A/B	C/D
M20	16	8
M25/32	4	2
M32/40	2	-

Accessories

	Qty.
DIN rail section TS15	
Cat. no.	
DIN rail section TS35	TS 35 / 144 mm long
Cat. no.	4507.4
1	
Mounting plate MP	MP/CK 2518
Cat. no.	4511.9
1	
Wall brackets WL	WL/CK
Cat. no.	4512.1
1	
External joints (pair) AG	AG/CK 1811-CK 3625
Cat. no.	4512.3

Dimension diagram

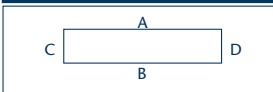


CK 2518/165 | CK 2518/215

Type	Cat. no.	Wt.
CK 2518/165 MV	4364.3	785g
CK 2518/165 OV	4293.3	814g
CK 2518/165 MVT	4365.3	850g
CK 2518/165 OVT	4295.3	875g
CK 2518/215 OV	4297.3	1000g
CK 2518/215 OVT	4299.3	1050g

Threaded drill hole options

without knock-outs



M	A/B	C/D
12	33	20
16	18	10
20	14	8
25	11	5
32	5	3
40	4	2
50	3	1
63	-	-

with M knock-out



Knock-outs	A/B	C/D
M 20	16	8
M 25/32	4	2
M 32/40	2	-

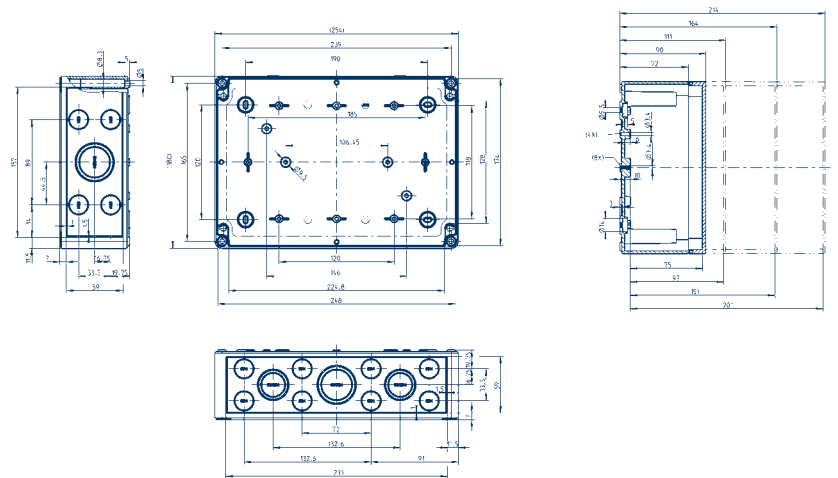
* Cannot be rotated

Accessories

	Qty.
DIN rail section TS15	
Cat. no.	
DIN rail section TS35	TS 35 / 144 mm long
Cat. no.	4507.4
1	
Mounting plate MP	MP/CK 2518
Cat. no.	4511.9
1	
Wall brackets WL	WL/CK
Cat. no.	4512.1
1	
External joints (pair) AG	AG/CK 1811-CK 3625
Cat. no.	4512.3

Knock-outs: ○ =M16/20 ○ =M20 ● =M20/25
● =M25/32 ● =M32/40

Dimension diagram



Polystyrene housing CK

CK 3625/111 CK 3625/165		
Type	Cat. no.	Wt.
CK 3625/111 MV	4366.3	1113g
CK 3625/111 OV	4301.3	1133g
CK 3625/111 MVT	4367.3	1174g
CK 3625/111 OVT	4303.3	1234g
CK 3625/165 MV	4368.3	1380g
CK 3625/165 OV	4305.3	1396g
CK 3625/165 MVT	4369.3	1550g
CK 3625/165 OVT	4307.3	1650g

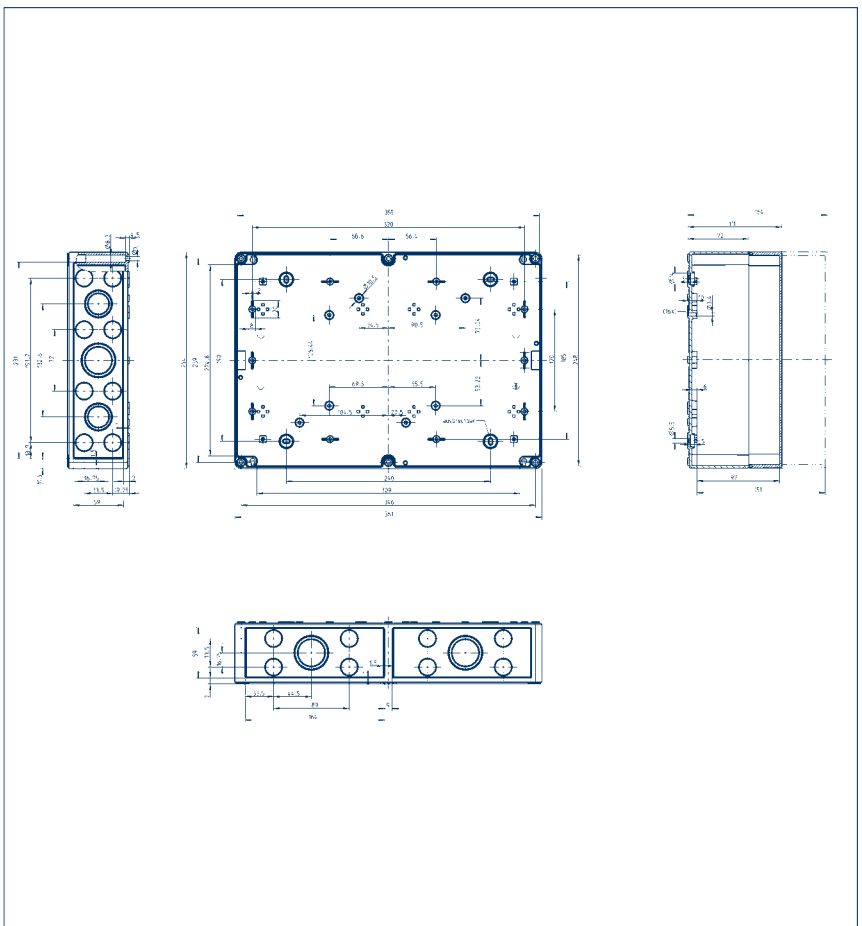
Threaded drill hole options

without knock-outs			with M knock-out		
M	A/B	C/D	Knock-outs	A/B	C/D
12	42	33	M 20	16	16
16	24	18	M 25/30	-	4
20	16	14	M 32/40	4	2
25	8	11			
32	6	5			
40	4	4			
50	4	3			
63	-	-			

Accessories Qty.

DIN rail section TS15		
Cat. no.		
DIN rail section TS35	TS 35 / 336 mm long	
Cat. no.	4559.8	1
Mounting plate MP	MP/CK 3625	
Cat. no.	4512.0	1
Wall brackets WL	WL/CK	
Cat. no.	4512.1	1
External joints (pair) AG	AG/CK 1811-CK 3625	
Cat. no.	4512.3	1

Dimension diagram



Knock-outs: ○ =M16/20 ○ =M20 ● =M20/25
● =M25/32 ● =M32/40

Polystyrene housing CK

Accessories

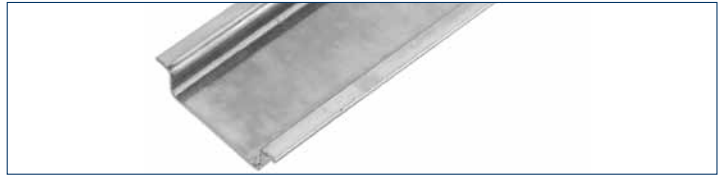
Mounting plate



Material: Hard, melamine-laminated paper
 Colour: grey, similar to RAL 7035

Type	Cat. no.	Qty.	Housing Type
MP/CK 77	4511.0	1	CK 77
MP/CK 97	4511.1	1	CK 97
MP/CK 99	4511.2	1	CK 99
MP/CK 1111	4511.3	1	CK 1111
MP/CK 1309	4511.4	1	CK 1309
MP/CK 1313	4511.5	1	CK 1313
MP/CK 1809	4511.6	1	CK 1809
MP/CK 1811	4511.7	1	CK 1811
MP/CK 1813	4563.4	1	CK 1813
MP/CK 1818	4511.8	1	CK 1818
MP/CK 2518	4511.9	1	CK 2518
MP/CK 3625	4512.0	1	CK 3625

DIN rail TS35



Material: Galvanized steel

Type	Cat. no.	Qty.	Housing Type
TS 35 / 87 mm long	4559.3	1	CK 1111
TS 35 / 106 mm long	4559.5	1	CK 1309, CK 1313
TS 35 / 144 mm long	4507.4	1	CK 1809, CK 1811, CK 1813, CK 1818, CK 2518
TS 35 / 336 mm long	4559.8	1	CK 3625

DIN rail TS15



Material: Galvanized steel

Type	Cat. no.	Qty.	Housing Type
TS 15 / 45 mm long	4559.0	1	CK 77
TS 15 / 75 mm long	4559.1	1	CK 97, CK 99
TS 15 / 87 mm long	4559.2	1	CK 1111
TS 15 / 106 mm long	4559.4	1	CK 1309, CK 1313
TS 15 / 147 mm long	4559.6	1	CK 1809

External joint AG/CK



Material: Polycarbonate
 Colour: grey, similar to RAL 7035

Type	Cat. no.	Qty.	Housing Type
AG/CK 77-CK 1809	4512.2	1	CK 77, CK 97, CK 99, CK 1111, CK 1309, CK 1313, CK 1809
AG/CK 1811-CK 3625	4512.3	1	CK 1811, CK 1818, CK 2518, CK 3625

External joint kit for converting the housing cover to a hinged door: including 2 hinges, drilling template, mounting screws and cover plugs

Wall brackets WL/CK



Material: Polyamide 6
 Colour: grey, similar to RAL 7035

Type	Cat. no.	Qty.	Housing Type
WL/CK	4512.1		All CK housings

Wall bracket set made of plastic: set = 4 pieces

Polycarbonate housing CK-PC

Polycarbonate housing

- 14 basic housings with up to 3 different cover heights
- Grey or transparent cover
- Material: glass-fibre reinforced polycarbonate
- Pre-scored metric knock-outs
- Special photovoltaic designs
- A comprehensive line of accessories



Technical data

Material
Protection
Toxicity characteristics
Flammability class according to UL 94
Thermal stability
Chemical resistance
Sea water resistance
UV resistance
Colour
Impact resistance

Glass-fibre reinforced polycarbonate
IP66
halogen-free/cadmium-free
V2 (5V ₂)
-35° to +100°C
good
very good
good
grey, similar to RAL 7035
IK08 DIN EN 5012

Outer dimensions			Dimensioned drawing
L	B	H	Page
65	50	35	29
65	65	57	29
65	65	81	29
94	65	57	30
94	65	81	30
94	94	57	30
94	94	81	30
110	110	66	31
110	110	90	31
130	94	57	31
130	94	81	31
130	130	75	32
130	130	99	32
180	94	57	32
180	94	81	32
180	110	90	33
180	110	111	33
180	110	165	33
180	130	63	33
180	130	84	33
180	130	90	34
180	130	111	34
180	130	165	34
182	180	90	34
182	180	111	34
182	180	165	34
254	180	63	35
254	180	84	35
254	180	90	35
254	180	111	35
254	180	165	35
361	254	111	36
361	254	165	36
182	180	90	36
254	180	90	37
361	254	111	37

Polycarbonate cover, grey Lower part with knock-outs	
Type	Cat. no.
CK-PC 75/35 MV	4370.2
CK-PC 77/57 MV	4372.2
CK-PC 77/81 MV	4374.2
CK-PC 97/57 MV	4376.2
CK-PC 97/81 MV	4378.2
CK-PC 99/57 MV	4380.2
CK-PC 99/81 MV	4382.2
CK-PC 1111/66 MV	4384.2
CK-PC 1111/90 MV	4386.2
CK-PC 1309/57 MV	4388.2
CK-PC 1309/81 MV	4390.2
CK-PC 1313/75 MV	4392.2
CK-PC 1313/99 MV	4394.2
CK-PC 1809/57 MV	4396.2
CK-PC 1809/81 MV	4398.2
CK-PC 1811/90 MV	4400.2
CK-PC 1811/111 MV	4402.2
CK-PC 1811/165 MV	4404.2
CK-PC 1813/63 MV	31120.2
CK-PC 1813/84 MV	31121.2
CK-PC 1813/90 MV	31122.2
CK-PC 1813/111 MV	31116.2
CK-PC 1813/165 MV	31118.2
CK-PC 1818/90 MV	4406.2
CK-PC 1818/111 MV	4408.2
CK-PC 1818/165 MV	4410.2
CK-PC 2518/63 MV	4412.2
CK-PC 2518/84 MV	4416.2
CK-PC 2518/90 MV	4420.2
CK-PC 2518/111 MV	4422.2
CK-PC 2518/165 MV	4424.2
CK-PC 3625/111 MV	4428.2
CK-PC 3625/165 MV	4430.2

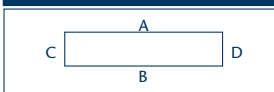
Polycarbonate cover, transparent Lower part with knock-outs	
Type	Cat. no.
CK-PC 75/35 MVT	4371.2
CK-PC 77/57 MVT	4373.2
CK-PC 77/81 MVT	4375.2
CK-PC 97/57 MVT	4377.2
CK-PC 97/81 MVT	4379.2
CK-PC 99/57 MVT	4381.2
CK-PC 99/81 MVT	4383.2
CK-PC 1111/66 MVT	4385.2
CK-PC 1111/90 MVT	4387.2
CK-PC 1309/57 MVT	4389.2
CK-PC 1309/81 MVT	4391.2
CK-PC 1313/75 MVT	4393.2
CK-PC 1313/99 MVT	4395.2
CK-PC 1809/57 MVT	4397.2
CK-PC 1809/81 MVT	4399.2
CK-PC 1811/90 MVT	4401.2
CK-PC 1811/111 MVT	4403.2
CK-PC 1811/165 MVT	4405.2
CK-PC 1813/90 MVT	31123.2
CK-PC 1813/111 MVT	31117.2
CK-PC 1813/165 MVT	31119.2
CK-PC 1818/90 MVT	4407.2
CK-PC 1818/111 MVT	4409.2
CK-PC 1818/165 MVT	4411.2
CK-PC 2518/63 MVT	4414.2
CK-PC 2518/84 MVT	4418.2
CK-PC 2518/90 MVT	4421.2
CK-PC 2518/111 MVT	4423.2
CK-PC 2518/165 MVT	4425.2
CK-PC 3625/111 MVT	4429.2
CK-PC 3625/165 MVT	4431.2
CK-PC 1818/90 MVT PV	4413.2
CK-PC 2518/90 MVT PV	4426.2
CK-PC 3625/111 MVT PV	4427.2

Polystyrene housing CK

CK-PC 75/35	Type	Cat. no.	Wt.
CK-PC 75/35 MV		4370.2	44g
CK-PC 75/35 MVT		4371.2	75g

Threaded drill hole options

without knock-outs



12	A/B	C/D
12	-	-
16	-	-
20	-	-
25	-	-
32	-	-
40	-	-
50	-	-
63	-	-

with M knock-out

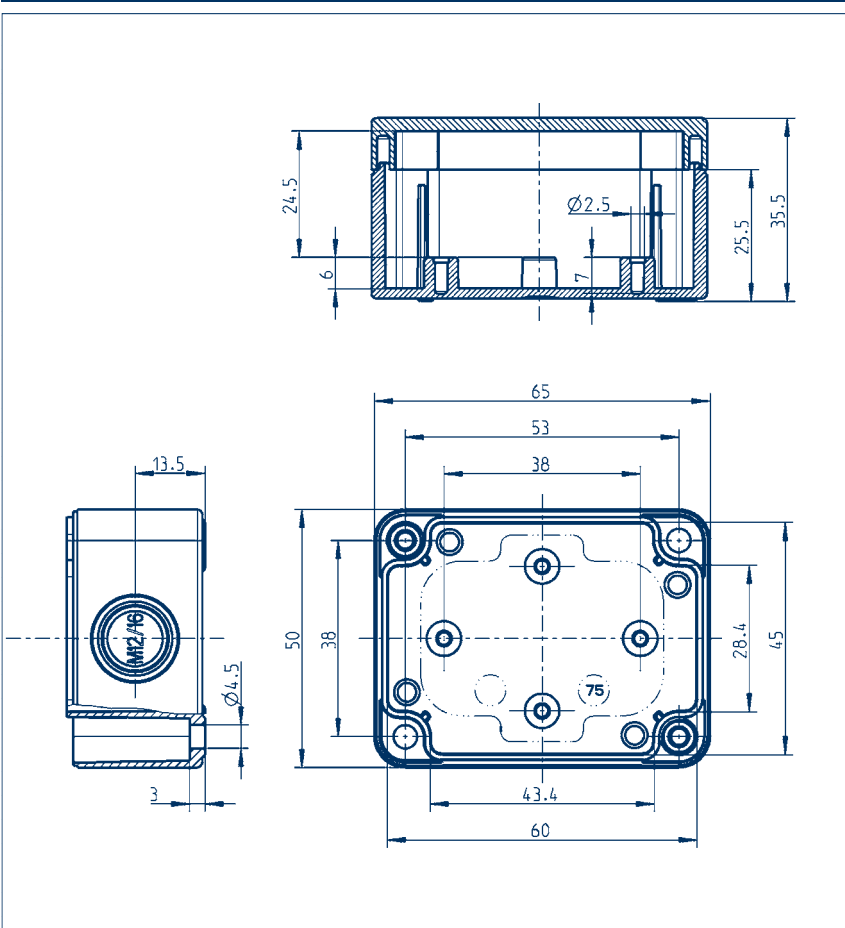


Knock-outs	A/B	C/D
M 16/20	-	- / 1

Accessories

Accessories	Qty.
DIN rail section TS15	
Cat. no.	
DIN rail section TS35	
Cat. no.	
Mounting plate MP	
Cat. no.	
Wall brackets WL	
Cat. no.	1
External joints (pair) AG	
Cat. no.	

Dimension diagram

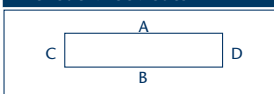


CK-PC 77/57 | CK-PC 77/81

CK-PC 77/57 CK-PC 77/81	Type	Cat. no.	Wt.
CK-PC 77/57 MV		4372.2	85g
CK-PC 77/57 MVT		4373.2	85g
CK-PC 77/81 MV		4374.2	120g
CK-PC 77/81 MVT		4375.2	120g

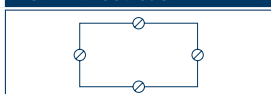
Threaded drill hole options

without knock-outs



M	A/B	C/D
12	-	-
16	-	-
20	-	-
25	-	-
32	-	-
40	-	-
50	-	-
63	-	-

with M knock-out



Knock-outs	A/B	C/D
M 16/20	-	- / 1

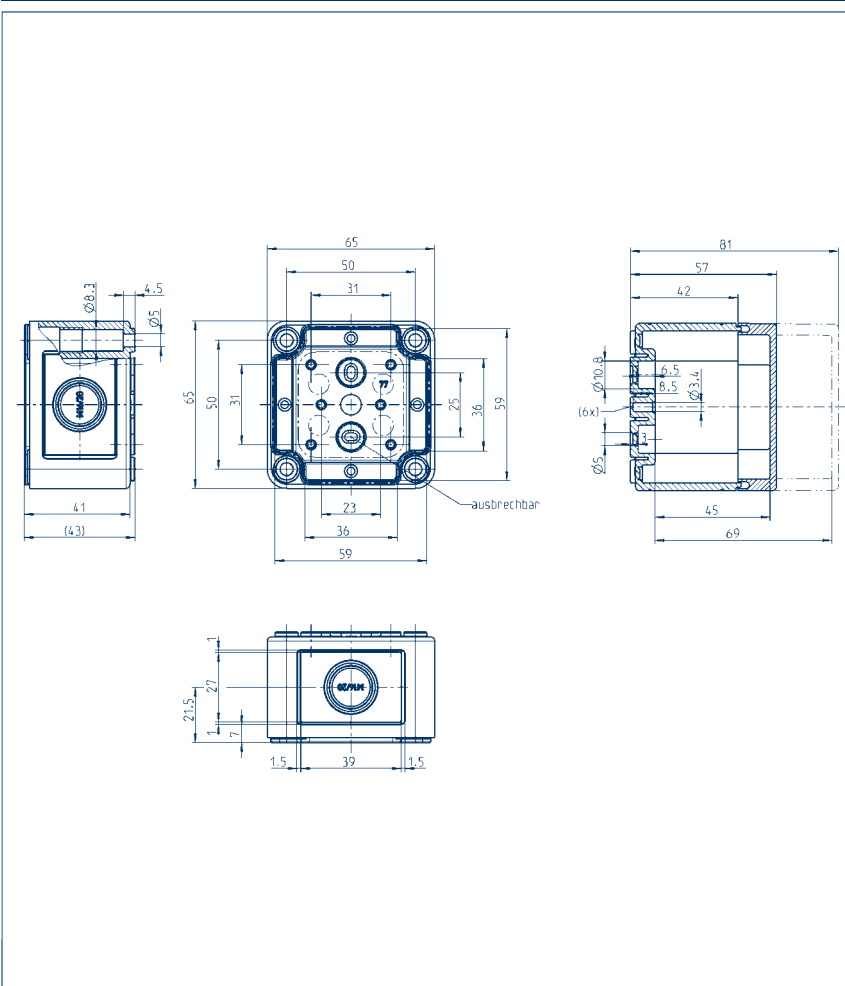
* Cannot be rotated

Accessories

Accessories	Qty.
DIN rail section TS15	TS 15 / 45 mm long
Cat. no.	4559.0
DIN rail section TS35	
Cat. no.	
Mounting plate MP	MP/CK 77
Cat. no.	4511.0
Wall brackets WL	WL/CK
Cat. no.	4512.1
External joints (pair) AG	AG/CK 77-CK 1809
Cat. no.	4512.2

Knock-outs: ● =M12/16 ○ =M16/20 ○ =M20
 ○ =M20/25 ● =M25/32 ● =M32/40

Dimension diagram



Polycarbonate housing CK-PC

CK-PC 97/57 CK-PC 97/81		
Type	Cat. no.	Wt.
CK-PC 97/57 MV	4376.2	120g
CK-PC 97/57 MVT	4377.2	120g
CK-PC 97/81 MV	4378.2	147g
CK-PC 97/81 MVT	4379.2	147g

Threaded drill hole options

without knock-outs			with M knock-out		
M	A/B	C/D	Knock-outs	A/B	C/D
12	-	-	M 16/20	2	1
16	-	-			
20	-	-			
25	-	-			
32	-	-			
40	-	-			
50	-	-			
63	-	-			

Accessories		Qty.
DIN rail section TS15	TS 15 / 75 mm long	
Cat. no.	4559.1	1
DIN rail section TS35		
Cat. no.		
Mounting plate MP	MP/CK 97	
Cat. no.	4511.1	1
Wall brackets WL	WL/CK	
Cat. no.	4512.1	1
External joints (pair) AG	AG/CK 77-CK 1809	
Cat. no.	4512.2	1

CK-PC 99/57 CK-PC 99/81		
Type	Cat. no.	Wt.
CK-PC 99/57 MV	4380.2	127g
CK-PC 99/57 MVT	4381.2	127g
CK-PC 99/81 MV	4382.2	193g
CK-PC 99/81 MVT	4383.2	193g

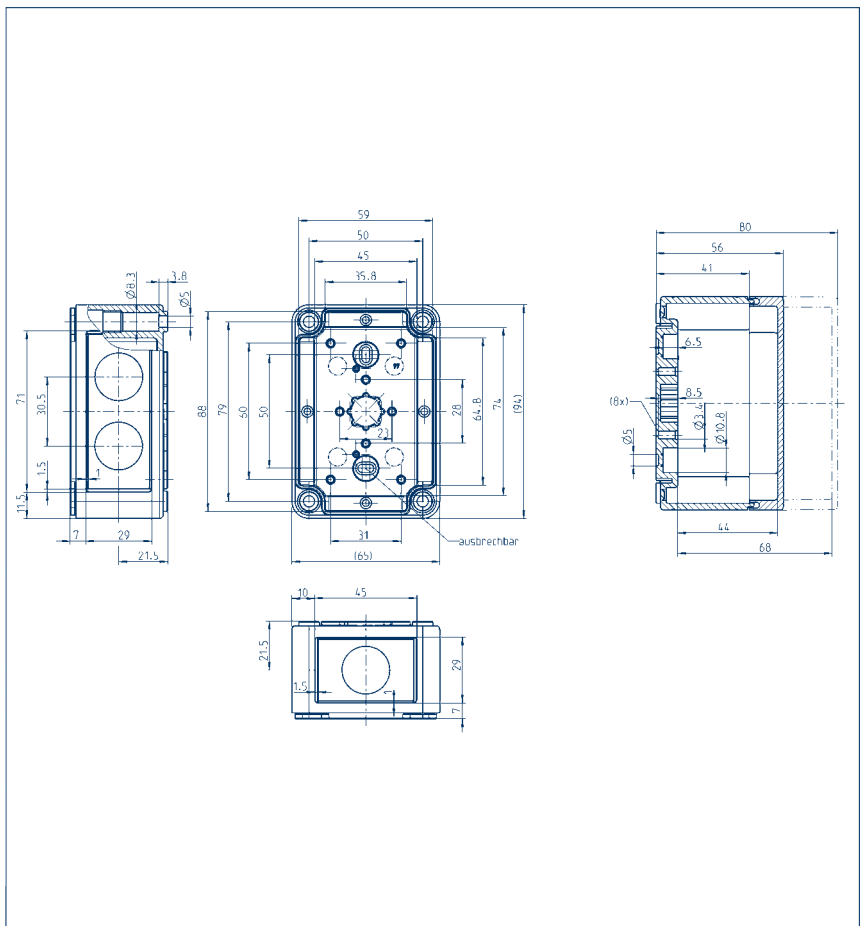
Threaded drill hole options

without knock-outs			with M knock-out		
M	A/B	C/D	Knock-outs	A/B	C/D
12	-	-	M 16/20	1	2
16	-	-			
20	-	-			
25	-	-			
32	-	-			
40	-	-			
50	-	-			
63	-	-			

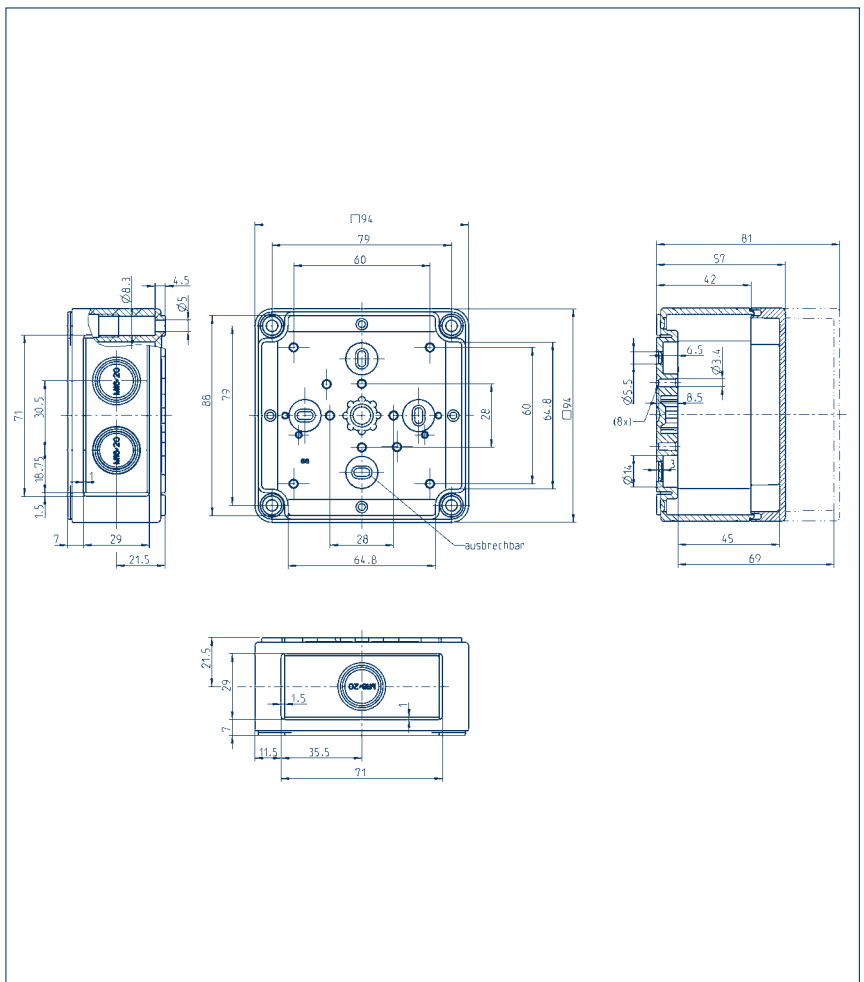
Accessories		Qty.
DIN rail section TS15	TS 15 / 75 mm long	
Cat. no.	4559.1	1
DIN rail section TS35		
Cat. no.		
Mounting plate MP	MP/CK 99	
Cat. no.	4511.2	1
Wall brackets WL	WL/CK	
Cat. no.	4512.1	1
External joints (pair) AG	AG/CK 77-CK 1809	
Cat. no.	4512.2	1

Knock-outs: ○ =M16/20 ○ =M20 ○ =M20/25
● =M25/32 ● =M32/40

Dimension diagram



Dimension diagram

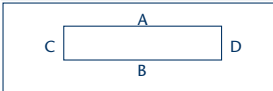


Polycarbonate housing CK-PC

CK-PC 1111/66 CK-PC 1111/90		
Type	Cat. no.	Wt.
CK-PC 1111/66 MV	4384.2	181g
CK-PC 1111/66 MVT	4385.2	181g
CK-PC 1111/90 MV	4386.2	242g
CK-PC 1111/90 MVT	4387.2	242g

Threaded drill hole options

without knock-outs



	A/B	C/D
12	-	-
16	-	-
20	-	-
25	-	-
32	-	-
40	-	-
50	-	-
63	-	-

with M knock-out

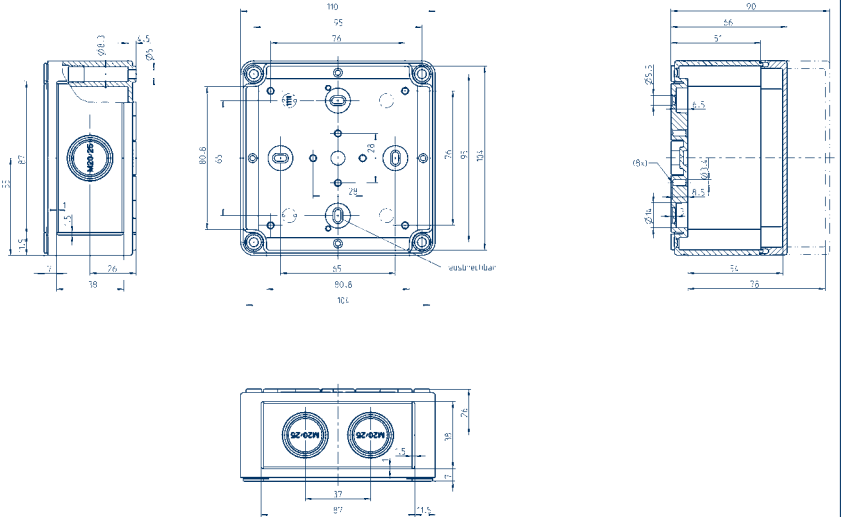


Knock-outs	A/B	C/D
M 20/25	1	2

Accessories

		Qty.
DIN rail section TS15	TS 15 / 87 mm long	
Cat. no.	4559.2	1
DIN rail section TS35	TS 35 / 87 mm long	
Cat. no.	4559.3	1
Mounting plate MP	MP/CK 1111	
Cat. no.	4511.3	1
Wall brackets WL	WL/CK	
Cat. no.	4512.1	1
External joints (pair) AG	AG/CK 77-CK 1809	
Cat. no.	4512.2	1

Dimension diagram

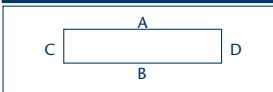


CK-PC 1309/57 | CK-PC 1309/81

Type	Cat. no.	Wt.
CK-PC 1309/57 MV	4388.2	153g
CK-PC 1309/57 MVT	4389.2	153g
CK-PC 1309/81 MV	4390.2	200g
CK-PC 1309/81 MVT	4391.2	200g

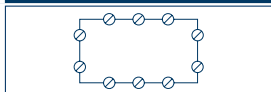
Threaded drill hole options

without knock-outs



	A/B	C/D
12	-	-
16	-	-
20	-	-
25	-	-
32	-	-
40	-	-
50	-	-
63	-	-

with M knock-out



Knock-outs	A/B	C/D
M 16/20	3	2

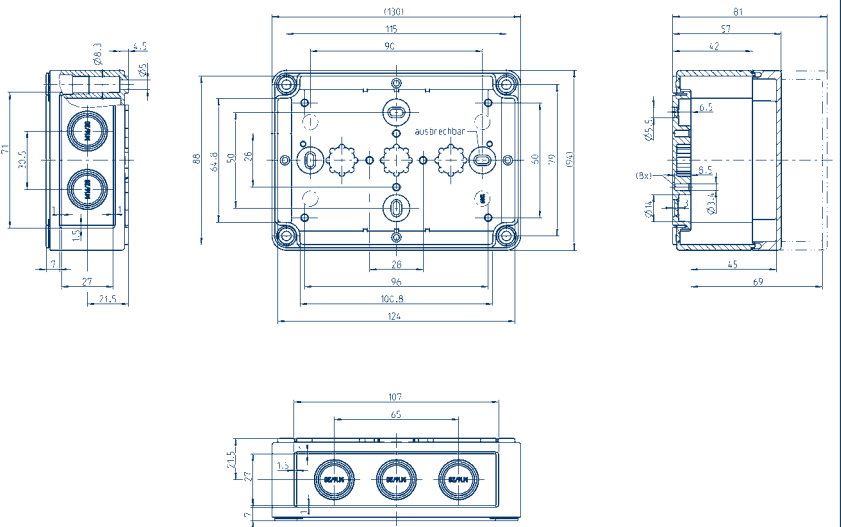
* Cannot be rotated

Accessories

		Qty.
DIN rail section TS15	TS 15 / 106 mm long	
Cat. no.	4559.4	1
DIN rail section TS35	TS 35 / 106 mm long	
Cat. no.	4559.5	1
Mounting plate MP	MP/CK 1309	
Cat. no.	4511.4	1
Wall brackets WL	WL/CK	
Cat. no.	4512.1	1
External joints (pair) AG	AG/CK 77-CK 1809	
Cat. no.	4512.2	1

Knock-outs: \odot =M16/20 \circ =M20 \bullet =M20/25
 \bullet =M25/32 \bullet =M32/40

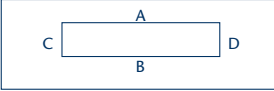

Dimension diagram



Polycarbonate housing CK-PC

CK-PC 1313/75 CK-PC 1313/99		
Type	Cat. no.	Wt.
CK-PC 1313/75 MV	4392.2	243g
CK-PC 1313/75 MVT	4393.2	243g
CK-PC 1313/99 MV	4394.2	350g
CK-PC 1313/99 MVT	4395.2	350g

Threaded drill hole options

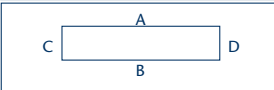
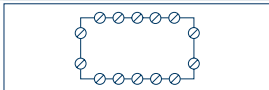
without knock-outs			with M knock-out		
					
M	A/B	C/D	Knock-outs	A/B	C/D
12	-	-	M 20	2	-
16	-	-	M 20/25	-	3
20	-	-	M 25/32	1	-
25	-	-			
32	-	-			
40	-	-			
50	-	-			
63	-	-			

Accessories

		Qty.
DIN rail section TS15	TS 15 / 106 mm long	
Cat. no.	4559.4	1
DIN rail section TS35	TS 35 / 106 mm long	
Cat. no.	4559.5	1
Mounting plate MP	MP/CK 1313	
Cat. no.	4511.5	1
Wall brackets WL	WL/CK	
Cat. no.	4512.1	1
External joints (pair) AG	AG/CK 77-CK 1809	
Cat. no.	4512.2	1

CK-PC 1809/57 CK-PC 1809/81		
Type	Cat. no.	Wt.
CK-PC 1809/57 MV	4396.2	249g
CK-PC 1809/57 MVT	4397.2	249g
CK-PC 1809/81 MV	4398.2	277g
CK-PC 1809/81 MVT	4399.2	277g

Threaded drill hole options

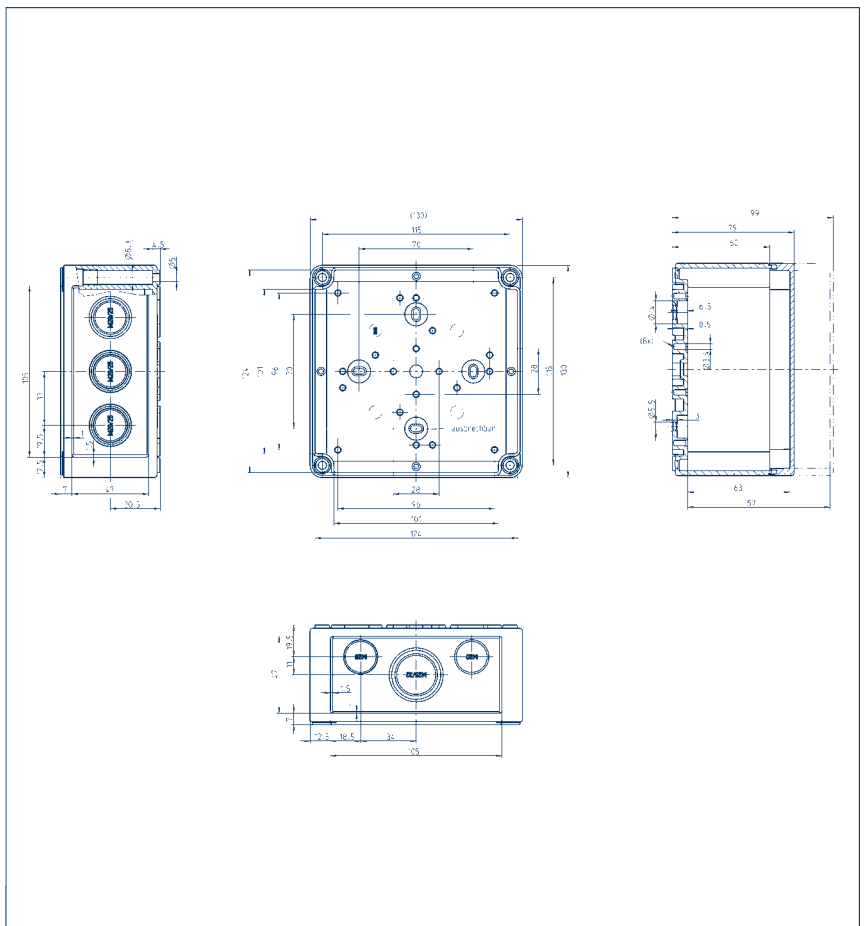
without knock-outs			with M knock-out		
					
M	A/B	C/D	Knock-outs	A/B	C/D
12	-	-	M 16/20	5	2
16	-	-			
20	-	-			
25	-	-			
32	-	-			
40	-	-			
50	-	-			
63	-	-			

Accessories

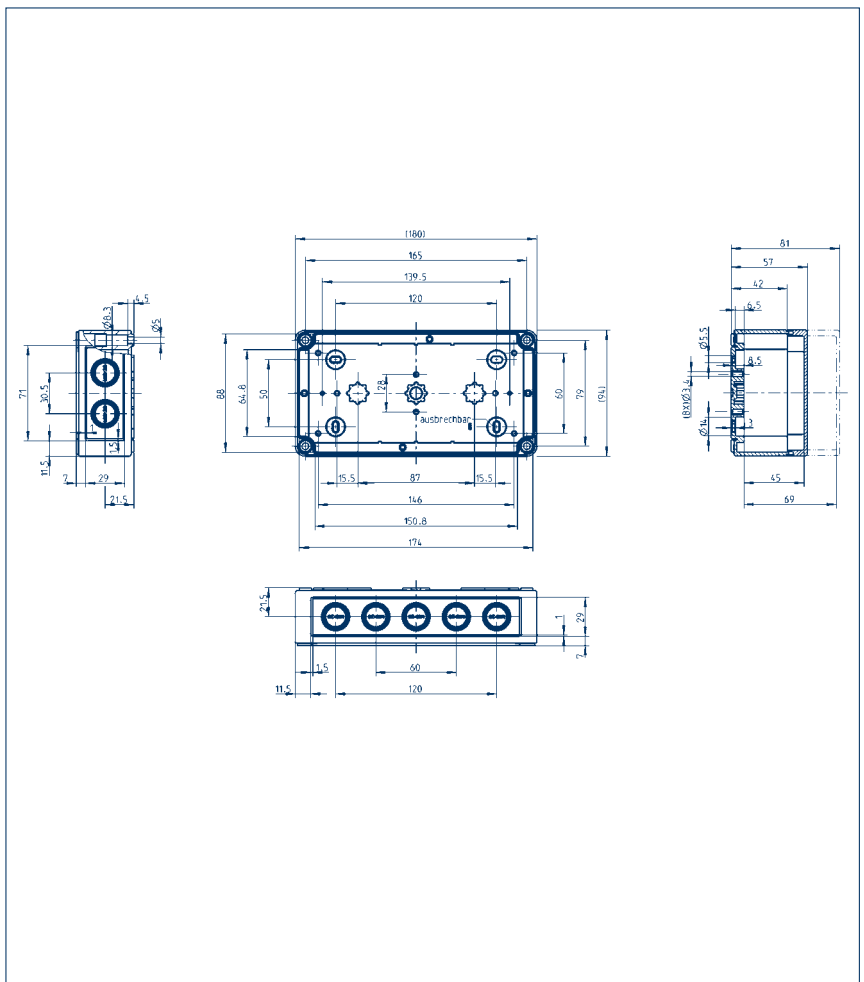
		Qty.
DIN rail section TS15	TS 15 / 147 mm long	
Cat. no.	4559.6	1
DIN rail section TS35	TS 35 / 144 mm long	
Cat. no.	4507.4	1
Mounting plate MP	MP/CK 1809	
Cat. no.	4511.6	1
Wall brackets WL	WL/CK	
Cat. no.	4512.1	1
External joints (pair) AG	AG/CK 77-CK 1809	
Cat. no.	4512.2	1

Knock-outs: ○ =M16/20 ○ =M20 ● =M20/25
● =M25/32 ● =M32/40

Dimension diagram



Dimension diagram



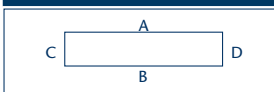
Polycarbonate housing CK-PC

CK-PC 1811/90 | CK-PC 1811/111 | CK-PC 1811/165

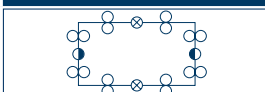
Type	Cat. no.	Wt.
CK-PC 1811/90 MV	4400.2	344g
CK-PC 1811/90 MVT	4401.2	344g
CK-PC 1811/111 MV	4402.2	383g
CK-PC 1811/111 MVT	4403.2	383g
CK-PC 1811/165 MV	4404.2	513g
CK-PC 1811/165 MVT	4405.2	513g

Threaded drill hole options

without knock-outs



with M knock-out



	12	A/B	C/D	Knock-outs	A/B	C/D
	12	-	-	M 20	4	4
	16	-	-	M 20/25	-	1
	20	-	-	M 32/40	1	-
	25	-	-			
	32	-	-			
	40	-	-			
	50	-	-			
	63	-	-			

Accessories

Qty.

DIN rail section TS15

Cat. no.

DIN rail section TS35	TS 35 / 144 mm long	1
Cat. no.	4507.4	

Mounting plate MP

MP/CK 1811	1
Cat. no.	4511.7

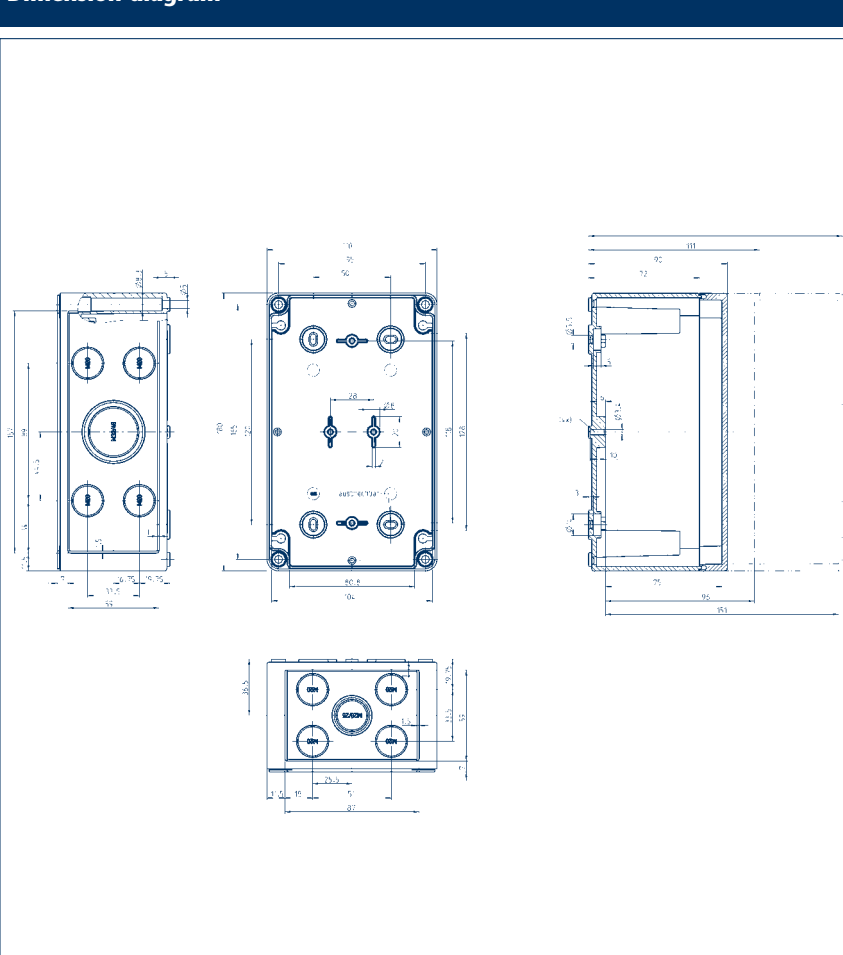
Wall brackets WL

WL/CK	1
Cat. no.	4512.1

External joints (pair) AG

AG/CK 1811-CK 3625	1
Cat. no.	4512.3

Dimension diagram

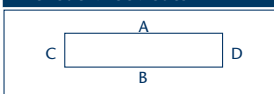


CK-PC 1813/63 | CK-PC 1813/84

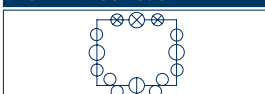
Type	Cat. no.	Wt.
CK PC 1813/63 MV	31120.2	420g
CK PC 1813/84 MV	31121.2	635g

Threaded drill hole options

without knock-outs



with M knock-out



M	A/B	C/D	Knock-outs	A/B	C/D
12	-	-	M 12/16	4	4
16	-	-	M 16/20	2	2
20	-	-	M 20/25	1	2
25	-	-	M 25/32	1	
32	-	-			
40	-	-			
50	-	-			
63	-	-			

Accessories

Qty.

DIN rail section TS15

Cat. no.

DIN rail section TS35	TS 35 / 144 mm long	1
Cat. no.	4507.4	

Mounting plate MP

MP/CK 1813	1
Cat. no.	4563.4

Wall brackets WL

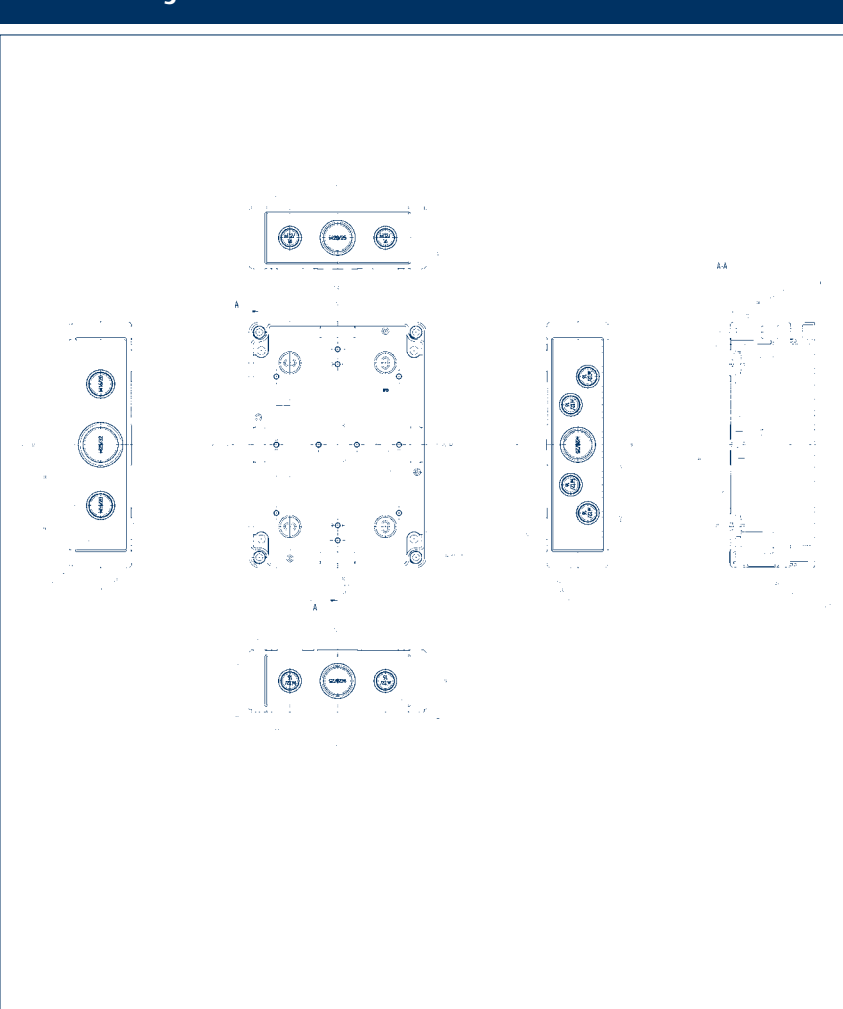
WL/CK	1
Cat. no.	4512.1

External joints (pair) AG

AG/CK 1811-CK 3625	1
Cat. no.	4512.3

Knock-outs: =M16/20 =M20 =M20/25
 =M25/32 =M32/40

Dimension diagram



Polycarbonate housing CK-PC

CK-PC 1813/90 | CK-PC 1813/111 | CK-PC 1813/165

Type	Cat. no.	Wt.
CK-PC 1813/90 MV	31122.2	440g
CK-PC 1813/90 MVT	31123.2	440g
CK-PC 1813/111 MV	31116.2	515g
CK-PC 1813/111 MVT	31117.2	515g
CK-PC 1813/165 MV	31118.2	670g
CK-PC 1813/165 MVT	31119.2	670g

Threaded drill hole options

without knock-outs			with M knock-out		
M	A/B	C/D	Knock-outs	A/B	C/D
12	-	-	M 12/16	4	2
16	-	-	M 16/20	6	7
20	-	-	M 20/25	1	2
25	-	-	M 25/32	1	
32	-	-			
40	-	-			
50	-	-			
63	-	-			

Accessories

		Qty.
DIN rail section TS15		
Cat. no.		
DIN rail section TS35	TS 35 / 144 mm long	
Cat. no.	4507.4	1
Mounting plate MP	MP/CK 1813	
Cat. no.	4563.4	1
Wall brackets WL	WL/CK	
Cat. no.	4512.1	1
External joints (pair) AG	AG/CK 1811-CK 3625	
Cat. no.	4512.3	1

CK-PC 1818/90 | CK-PC 1818/111 | CK-PC 1818/165

Type	Cat. no.	Wt.
CK-PC 1818/90 MV	4406.2	475g
CK-PC 1818/90 MVT	4407.2	475g
CK-PC 1818/111 MV	4408.2	525g
CK-PC 1818/111 MVT	4409.2	525g
CK-PC 1818/165 MV	4410.2	675g
CK-PC 1818/165 MVT	4411.2	675g

Threaded drill hole options

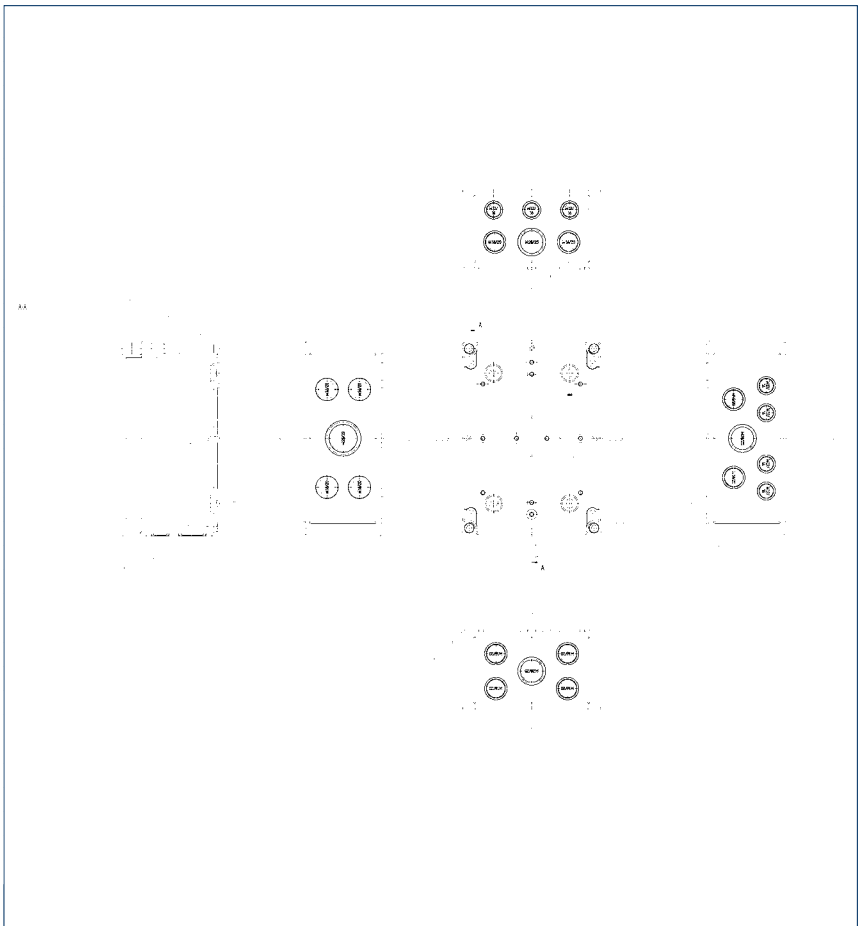
without knock-outs			with M knock-out		
M	A/B	C/D	Knock-outs	A/B	C/D
12	-	-	M 20	8	4
16	-	-	M 32/40	1	1
20	-	-			
25	-	-			
32	-	-			
40	-	-			
50	-	-			
63	-	-			

Accessories

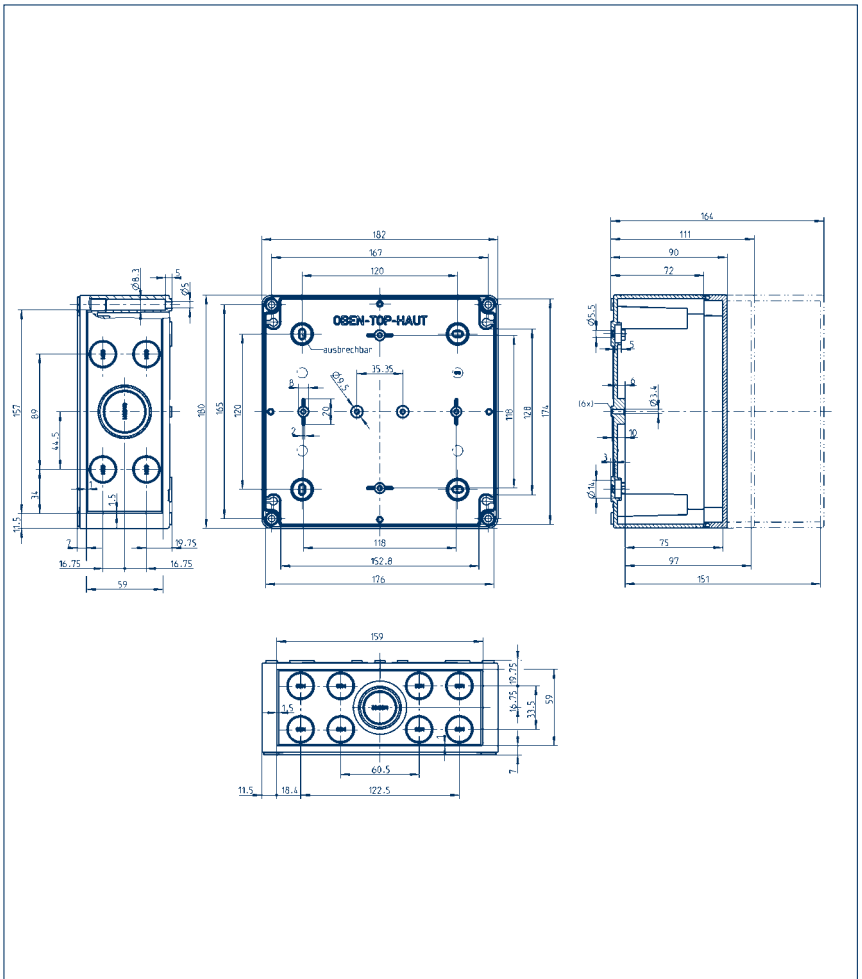
		Qty.
DIN rail section TS15		
Cat. no.		
DIN rail section TS35	TS 35 / 144 mm long	
Cat. no.	4507.4	1
Mounting plate MP	MP/CK 1818	
Cat. no.	4511.8	1
Wall brackets WL	WL/CK	
Cat. no.	4512.1	1
External joints (pair) AG	AG/CK 1811-CK 3625	
Cat. no.	4512.3	1

Knock-outs: ○ =M16/20 ○ =M20 ● =M20/25
● =M25/32 ● =M32/40

Dimension diagram



Dimension diagram

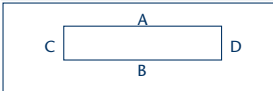


Polycarbonate housing CK-PC

CK-PC 2518/63 CK-PC 2518/84		
Type	Cat. no.	Wt.
CK-PC 2518/63 MV	4412.2	575g
CK-PC 2518/63 MVT	4414.2	575g
CK-PC 2518/84 MV	4416.2	600g
CK-PC 2518/84 MVT	4418.2	600g

Threaded drill hole options

without knock-outs



	A/B	C/D
12	-	-
16	-	-
20	-	-
25	-	-
32	-	-
40	-	-
50	-	-
63	-	-

with M knock-out

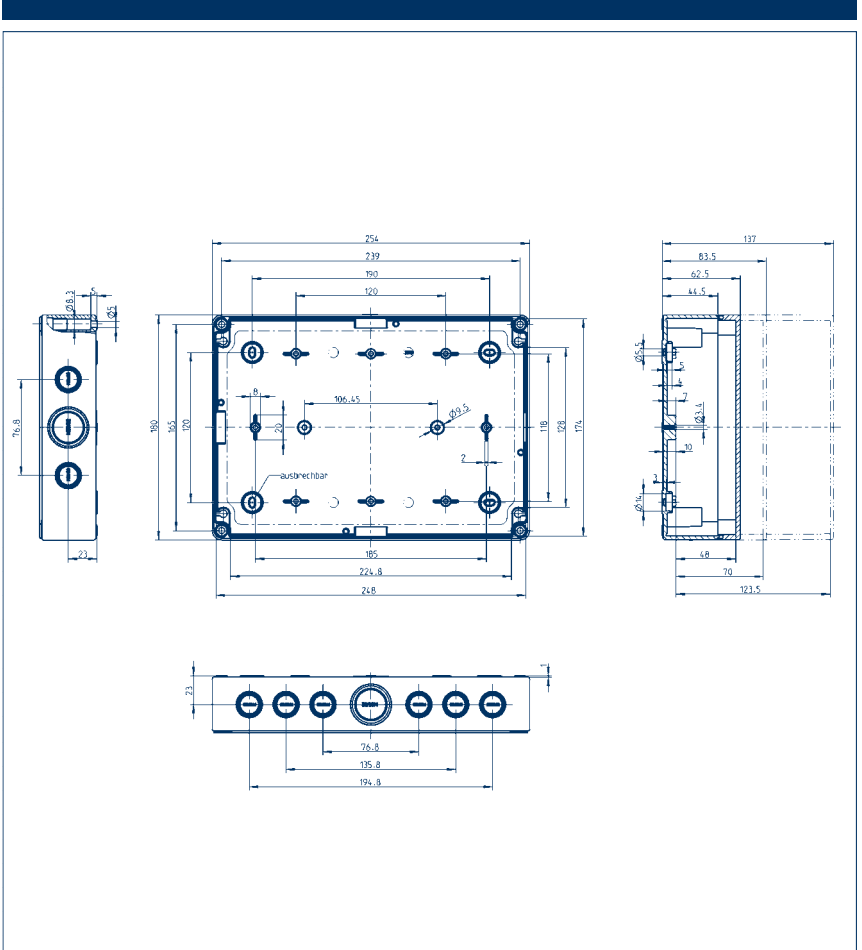


Knock-outs	A/B	C/D
M 16/20	6	4
M 25/32	2	2

Accessories

DIN rail section TS15		Qty.
Cat. no.		
DIN rail section TS35	TS 35 / 144 mm long	
Cat. no.	4507.4	1
Mounting plate MP	MP/CK 2518	
Cat. no.	4511.9	1
Wall brackets WL	WL/CK	
Cat. no.	4512.1	1
External joints (pair) AG	AG/CK 1811-CK 3625	
Cat. no.	4512.3	1

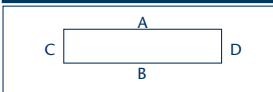
Dimension diagram



CK-PC 2518/90 CK-PC 2518/111 CK-PC 2518/165		
Type	Cat. no.	Wt.
CK-PC 2518/90 MV	4420.2	698g
CK-PC 2518/90 MVT	4421.2	698g
CK-PC 2518/111 MV	4422.2	700g
CK-PC 2518/111 MVT	4423.2	700g
CK-PC 2518/165 MV	4424.2	850g
CK-PC 2518/165 MVT	4425.2	850g

Threaded drill hole options

without knock-outs



	A/B	C/D
M	-	-
12	-	-
16	-	-
20	-	-
25	-	-
32	-	-
40	-	-
50	-	-
63	-	-

with M knock-out



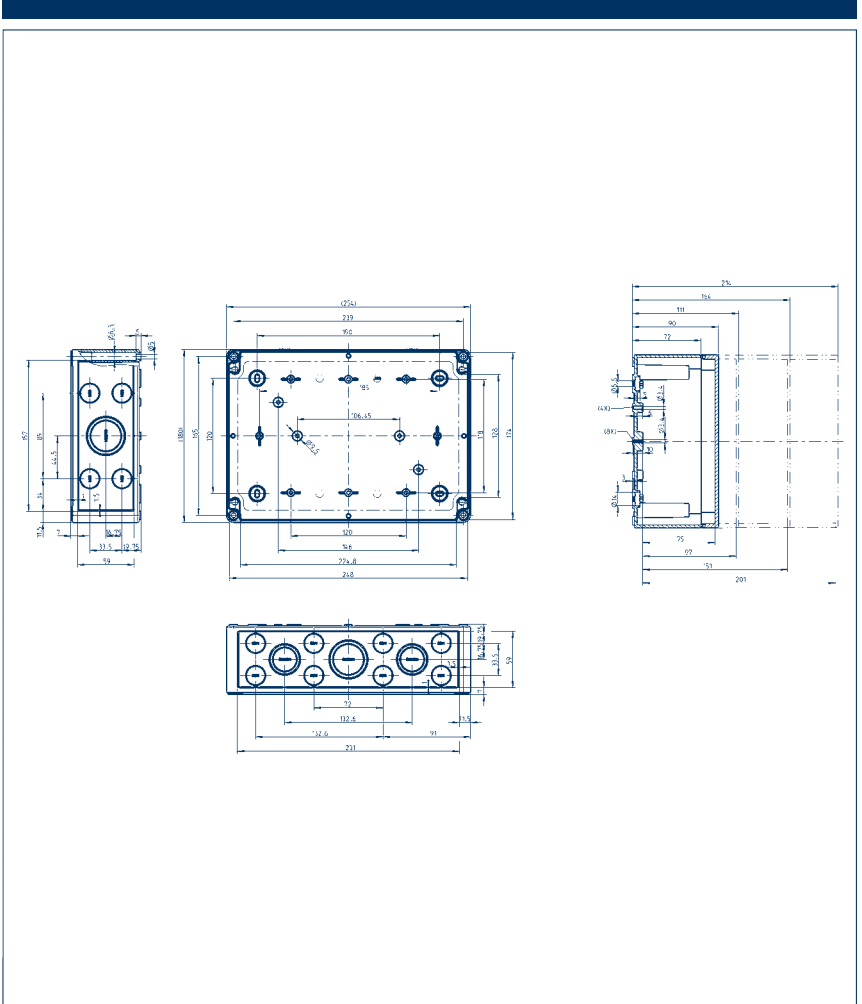
Knock-outs	A/B	C/D
M 20	8	4
M 25/32	4	2
M 32/40	2	

Accessories

DIN rail section TS15		Qty.
Cat. no.		
DIN rail section TS35	TS 35 / 144 mm long	
Cat. no.	4507.4	1
Mounting plate MP	MP/CK 2518	
Cat. no.	4511.9	1
Wall brackets WL	WL/CK	
Cat. no.	4512.1	1
External joints (pair) AG	AG/CK 1811-CK 3625	
Cat. no.	4512.3	1

Knock-outs: ○ =M16/20 ○ =M20 ● =M20/25
● =M25/32 ● =M32/40

Dimension diagram



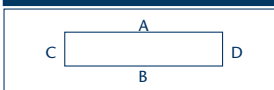
Polycarbonate housing CK-PC PV

CK-PC 2518/90 MVT PV

Type	Cat. no.	Wt.
CK-PC 2518/90 MVT PV	4426.2	638g

Threaded drill hole options

without knock-outs



with M knock-out

Refer to dimension diagram

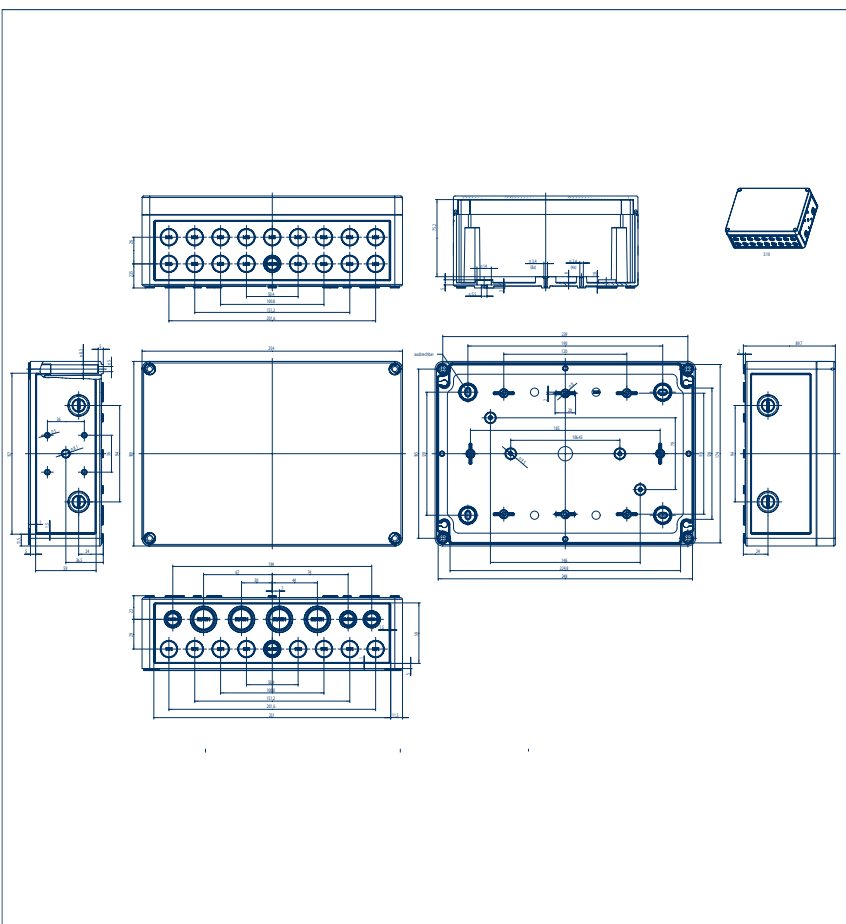
	12	A/B	C/D	Knock-outs	A/B	C/D
	12	-	-	M 12/16	5	-
	16	-	-	M 12/20	-	4
	20	-	-	M 16	25	-
	25	-	-	M 20/25	4	-
	32	-	-			
	40	-	-			
	50	-	-			
	63	-	-			

Accessories

DIN rail section TS15

Cat. no.		Qty.
DIN rail section TS35	TS 35 / 144 mm long	
Cat. no.	4507.4	1
Mounting plate MP	MP/CK 2518	
Cat. no.	4511.9	1
Wall brackets WL	WL/CK	
Cat. no.	4512.1	1
External joints (pair) AG	AG/CK 1811-CK 3625	
Cat. no.	4512.3	1

Dimension diagram

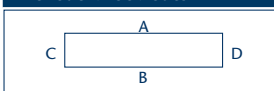


CK-PC 3625/111 MVT PV

Type	Cat. no.	Wt.
CK-PC 3625/111 MVT PV	4427.2	1167g

Threaded drill hole options

without knock-outs



with M knock-out

Refer to dimension diagram

M	A/B	C/D	Knock-outs	A/B	C/D
12	-	-	M 12/16	2	-
16	-	-	M 12/20	-	4
20	-	-	M 16	40	-
25	-	-	M 20/25	4	-
32	-	-			
40	-	-			
50	-	-			
63	-	-			

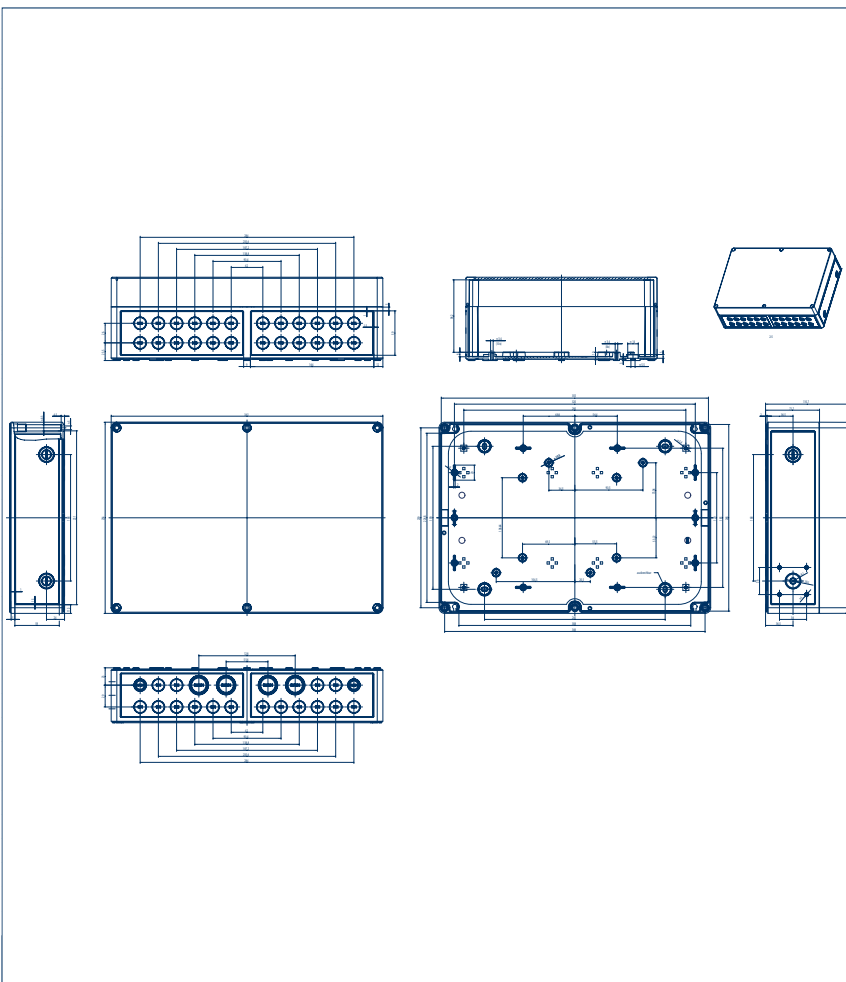
Accessories

DIN rail section TS15

Cat. no.		Qty.
DIN rail section TS35	TS 35 / 336 mm long	
Cat. no.	4559.8	1
Mounting plate MP	MP/CK 3625	
Cat. no.	4512.0	1
Wall brackets WL	WL/CK	
Cat. no.	4512.1	1
External joints (pair) AG	AG/CK 1811-CK 3625	
Cat. no.	4512.3	1

Knock-outs: ○ =M16/20 ○ =M20 ● =M20/25
● =M25/32 ● =M32/40

Dimension diagram



Polycarbonate housing CK-PC

Accessories

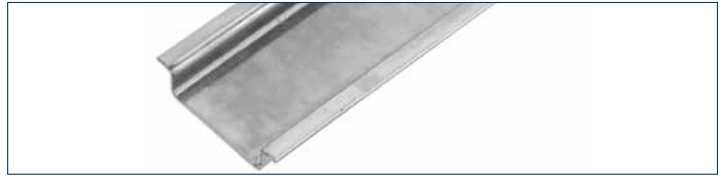
Mounting plate



Material: Hard, melamine-laminated paper
 Colour: grey, similar to RAL 7035

Type	Cat. no.	Qty.	Housing Type
MP/CK 75	4563.3	1	CK-PC 75
MP/CK 77	4511.0	1	CK-PC 77
MP/CK 97	4511.1	1	CK-PC 97
MP/CK 99	4511.2	1	CK-PC 99
MP/CK 1111	4511.3	1	CK-PC 1111
MP/CK 1309	4511.4	1	CK-PC 1309
MP/CK 1313	4511.5	1	CK-PC 1313
MP/CK 1809	4511.6	1	CK-PC 1809
MP/CK 1811	4511.7	1	CK-PC 1811
MP/CK 1813	4563.4	1	CK-PC 1813
MP/CK 1818	4511.8	1	CK-PC 1818
MP/CK 2518	4511.9	1	CK-PC 2518
MP/CK 3625	4512.0	1	CK-PC 3625

DIN rail TS35



Material: Galvanized steel

Type	Cat. no.	Qty.	Housing Type
TS 35 / 87 mm long	4559.3	1	CK 1111
TS 35 / 106 mm long	4559.5	1	CK 1309, CK 1313
TS 35 / 144 mm long	4507.4	1	CK 1809, CK 1811, CK 1813, CK 1818, CK 2518
TS 35 / 336 mm long	4559.8	1	CK 3625

DIN rail TS15



Material: Galvanized steel

Type	Cat. no.	Qty.	Housing Type
TS 15 / 45 mm long	4559.0	1	CK 77
TS 15 / 75 mm long	4559.1	1	CK 97, CK 99
TS 15 / 87 mm long	4559.2	1	CK 1111
TS 15 / 106 mm long	4559.4	1	CK 1309, CK 1313
TS 15 / 147 mm long	4559.6	1	CK 1809

External joint AG/CK



Material: Polyamide 6
 Colour: grey, similar to RAL 7035

Type	Cat. no.	Qty.	Housing Type
AG/CK 77-CK 1809	4512.2	1	CK 77, CK 97, CK 99, CK 1111, CK 1309, CK 1313, CK 1809
AG/CK 1811-CK 3625	4512.3	1	CK 1811, CK 1818, CK 2518, CK 3625

External joint kit for converting the housing cover to a hinged door: including 2 hinges, drilling template, mounting screws and cover plugs

Wall brackets WL/CK



Material: Polyamide 6
 Colour: grey, similar to RAL 7035

Type	Cat. no.	Qty.	Housing Type
WL/CK	4512.1	1	All CK housings

Wall bracket set made of plastic: set = 4 pieces



Polyester housing CP

Polyester housing

- 13 basic housings with different cover heights
- Material: Glass-fibre reinforced duro-plastic polyester
- Excellent impact resistance
- Smooth side walls
- A comprehensive line of accessories



Technical data

Material
Protection
Toxicity characteristics
Flammability class according to UL 94
Thermal stability
Chemical resistance
Sea water resistance
UV resistance
Colour
Impact resistance

Glass-fibre reinforced duro-plastic polyester
IP66
halogen-free
V0
-40°C to +90°C
good
very good
good
grey, similar to RAL 7000
> 7 Joule, EN50014

Outer dimensions

Dimension diagram

L	B	H	Page
55	55	37	41
55	55	59	41
80	75	55	42
80	75	75	42
110	75	55	43
110	75	75	43
122	120	90	44
160	75	55	44
160	75	75	45
160	160	90	45
190	75	55	46
190	75	75	46
220	120	90	47
230	75	55	47
230	75	75	48
255	250	120	48
260	160	90	49
360	160	90	49
400	250	120	50
400	405	120	50

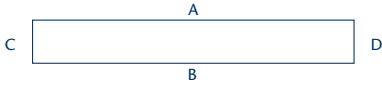
Grey polyester cover

Type	Cat. no.
CP 55/37	4432.1
CP 55/59	4433.1
CP 80/55	4020.1
CP 80/75	4439.1
CP 110/55	4021.1
CP 110/75	4434.1
CP 122/90	4024.1
CP 160/55	4022.1
CP 160/75	4435.1
CP 160/90	4025.1
CP 190/55	4023.1
CP 190/75	4436.1
CP 220/90	4026.1
CP 230/55	4437.1
CP 230/75	4198.1
CP 255/120	4029.1
CP 260/90	4027.1
CP 360/90	4028.1
CP 400/120	4030.1
CP 400/120-2	4031.1

Polyester housing CP

CP 55/37	Type	Cat. no.	Wt.
CP 55/37		4432.1	100g

Threaded drill hole options

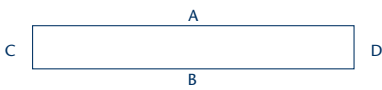


M	A/B	C/D	PG	A/B	C/D
12	2	2	7	2	2
16	1	1	9	1	1
20	-	-	11	-	-
25	-	-	13.5	-	-
32	-	-	16	-	-
40	-	-	21	-	-
50	-	-	29	-	-
63	-	-	36	-	-
			42	-	-
			48	-	-

Accessories			Qty.
DIN rail section TS15	TS 15 / 42 mm long		
Cat. no.	4567.0		1
DIN rail section TS35			
Cat. no.			
Mounting screw BS	BS M 3x5		
Cat. no.	4556.0		100
Mounting plate MP			
Cat. no.			
Wall brackets WL			
Cat. no.			
External joints (pair) AG			
Cat. no.			

CP 55/59	Type	Cat. no.	Wt.
CP 55/59		4433.1	130g

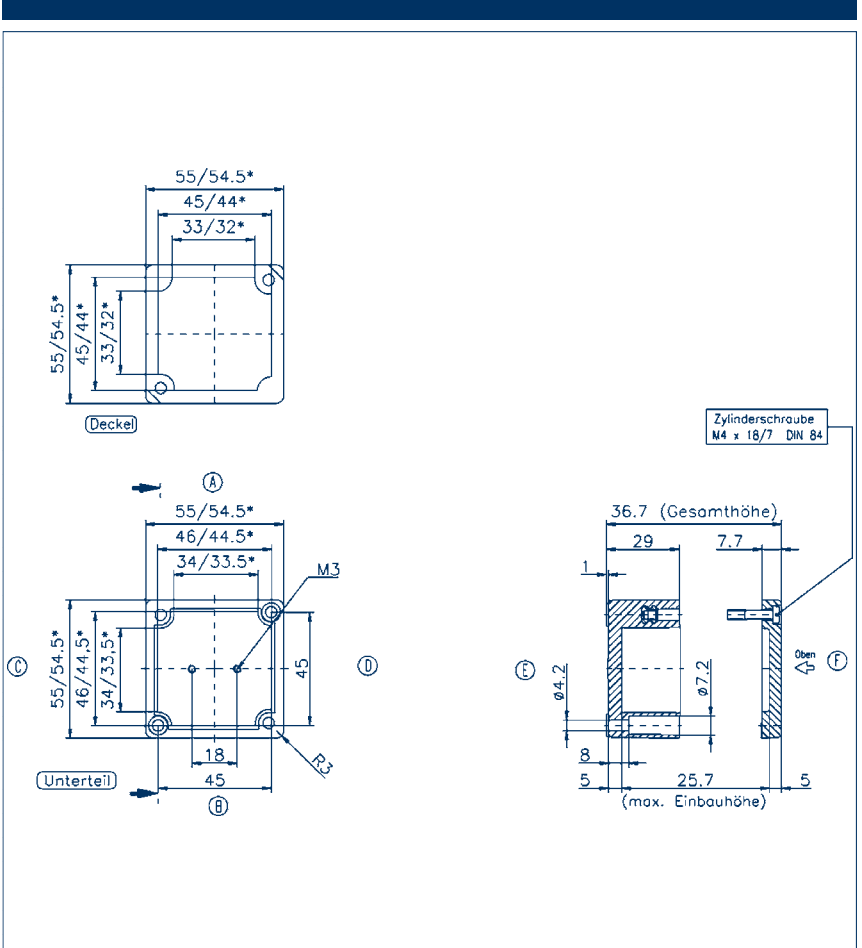
Threaded drill hole options



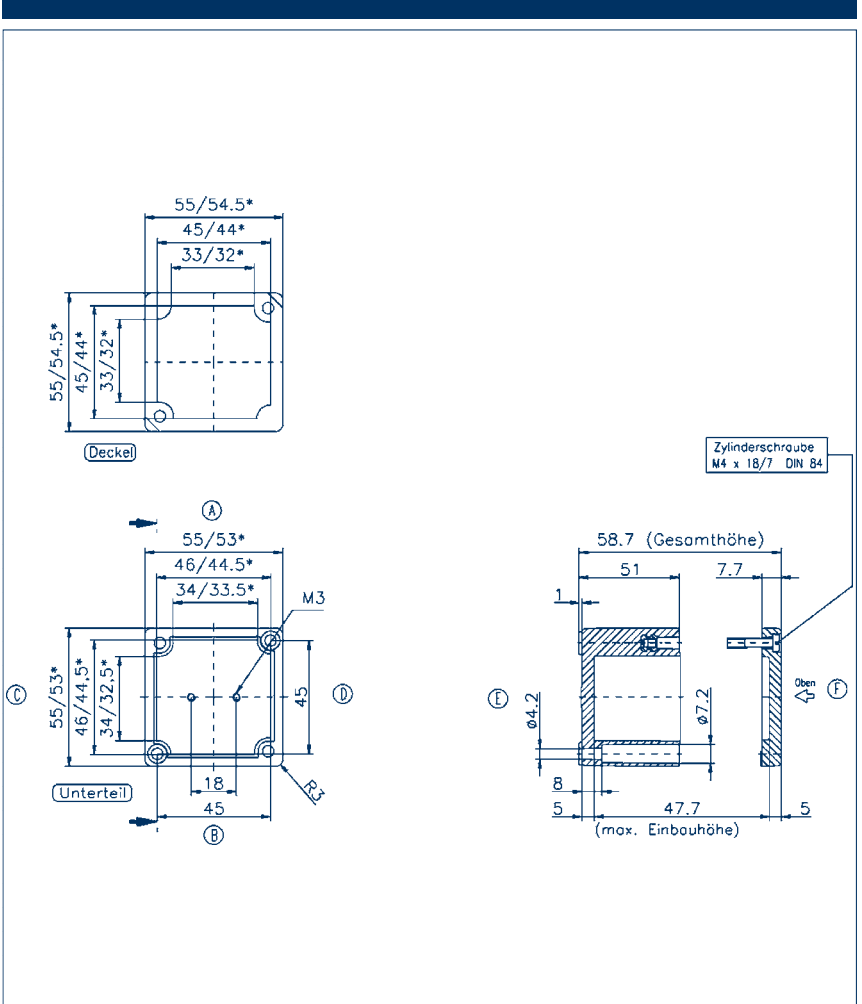
M	A/B	C/D	PG	A/B	C/D
12	5	5	7	5	5
16	2	2	9	3	3
20	1	1	11	2	2
25	1	1	13.5	1	1
32	1	1	16	1	1
40	-	-	21	1	1
50	-	-	29	-	-
63	-	-	36	-	-
			42	-	-
			48	-	-

Accessories			Qty.
DIN rail section TS15	TS 15 / 42 mm long		
Cat. no.	4567.0		1
DIN rail section TS35			
Cat. no.			
Mounting screw BS	BS M 3x5		
Cat. no.	4556.0		100
Mounting plate MP			
Cat. no.			
Wall brackets WL			
Cat. no.			
External joints (pair) AG			
Cat. no.			

Dimension diagram



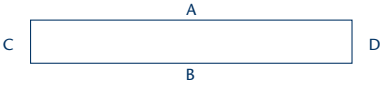
Dimension diagram



Polyester housing CP

CP 80/55		
Type	Cat. no.	Wt.
CP 80/55	4020.1	262g

Threaded drill hole options

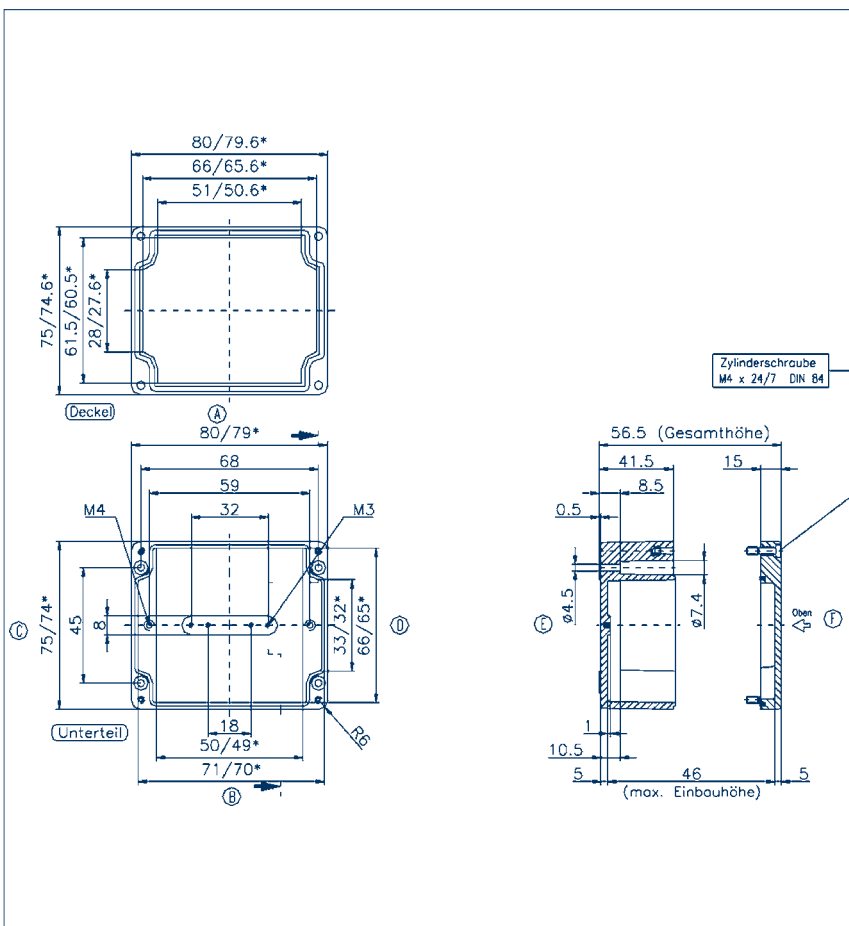


M	A/B	C/D	PG	A/B	C/D
12	6	3	7	6	3
16	2	1	9	4	1
20	2	1	11	2	1
25	1	-	13.5	2	1
32	-	-	16	2	1
40	-	-	21	1	-
50	-	-	29	-	-
63	-	-	36	-	-
			42	-	-
			48	-	-

Accessories

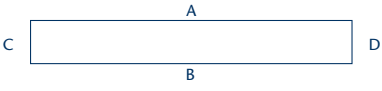
		Qty.
DIN rail section TS15	TS 15 / 68 mm long	
Cat. no.	4507.8	1
DIN rail section TS35		
Cat. no.		
Mounting screw BS	BS M 4x5	
Cat. no.	4557.0	100
Mounting plate MP		
Cat. no.		
Wall brackets WL	WL/CP/CA short	
Cat. no.	4509.3	1
External joints (pair) AG		
Cat. no.		

Dimension diagram



CP 80/75		
Type	Cat. no.	Wt.
CP 80/75	4439.1	300g

Threaded drill hole options

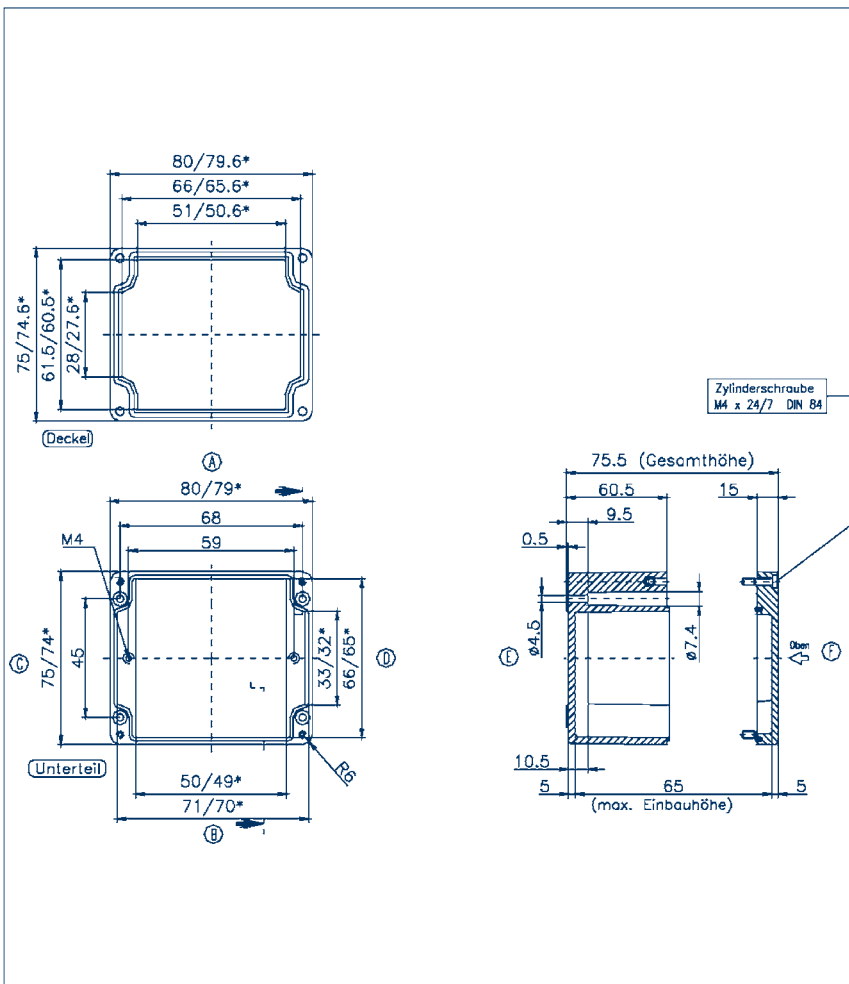


M	A/B	C/D	PG	A/B	C/D
12	9	5	7	9	5
16	5	2	9	6	3
20	4	2	11	4	2
25	1	1	13.5	4	2
32	1	1	16	3	1
40	-	-	21	1	1
50	-	-	29	1	-
63	-	-	36	-	-
			42	-	-
			48	-	-

Accessories

		Qty.
DIN rail section TS15	TS 15 / 68 mm long	
Cat. no.	4507.8	1
DIN rail section TS35		
Cat. no.		
Mounting screw BS	BS M 4x5	
Cat. no.	4557.0	100
Mounting plate MP		
Cat. no.		
Wall brackets WL	WL/CP/CA short	
Cat. no.	4509.3	1
External joints (pair) AG		
Cat. no.		

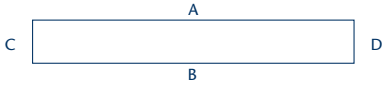
Dimension diagram



Polyester housing CP

CP 110/55		
Type	Cat. no.	Wt.
CP 110/55	4021.1	324g

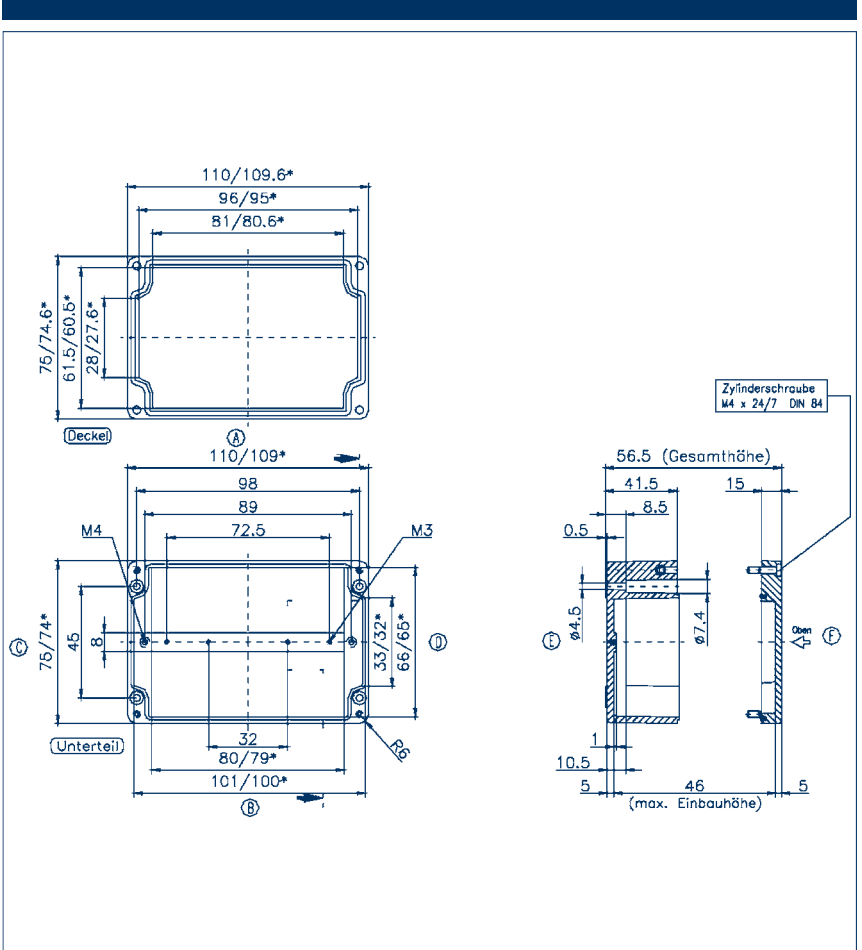
Threaded drill hole options



M	A/B	C/D	PG	A/B	C/D
12	10	3	7	10	3
16	4	1	9	6	1
20	3	1	11	4	1
25	2	-	13.5	3	1
32	-	-	16	3	1
40	-	-	21	2	-
50	-	-	29	-	-
63	-	-	36	-	-
			42	-	-
			48	-	-

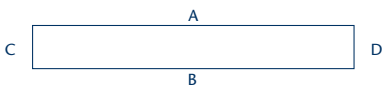
Accessories		Qty.
DIN rail section TS15	TS 15 / 98 mm long	1
Cat. no.	4507.9	
DIN rail section TS35		
Cat. no.		
Mounting screw BS	BS M 4x5	100
Cat. no.	4557.0	
Mounting plate MP	MP/P 110	1
Cat. no.	4500.3	
Wall brackets WL	WL/CP/CA short	1
Cat. no.	4509.3	
External joints (pair) AG	AG/CP/CA (pair)	1
Cat. no.	4509.6	

Dimension diagram



CP 110/75		
Type	Cat. no.	Wt.
CP 110/75	4434.1	360g

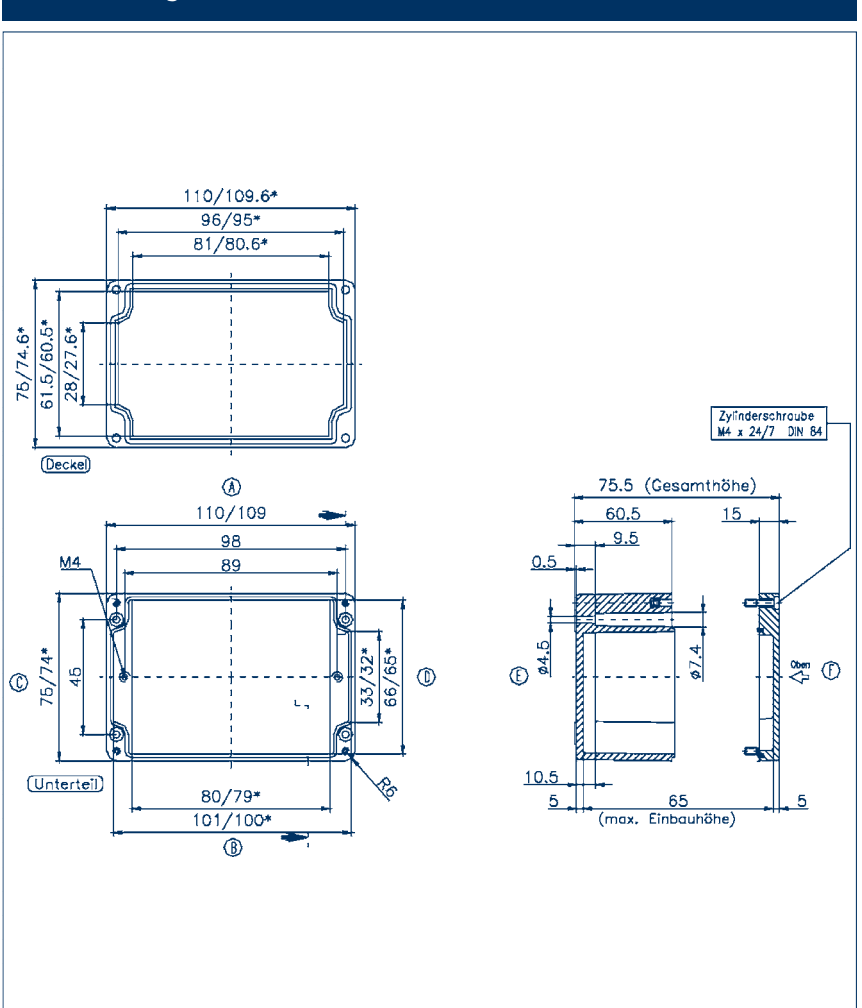
Threaded drill hole options



M	A/B	C/D	PG	A/B	C/D
12	15	5	7	15	5
16	6	2	9	9	3
20	6	1	11	6	2
25	2	1	13.5	6	1
32	2	1	16	5	1
40	-	-	21	2	1
50	-	-	29	2	-
63	-	-	36	-	-
			42	-	-
			48	-	-

Accessories		Qty.
DIN rail section TS15	TS 15 / 98 mm long	1
Cat. no.	4507.9	
DIN rail section TS35		
Cat. no.		
Mounting screw BS	BS M 4x5	100
Cat. no.	4557.0	
Mounting plate MP	MP/P 110	1
Cat. no.	4500.3	
Wall brackets WL	WL/CP/CA short	1
Cat. no.	4509.3	
External joints (pair) AG	AG/CP/CA (pair)	1
Cat. no.	4509.6	

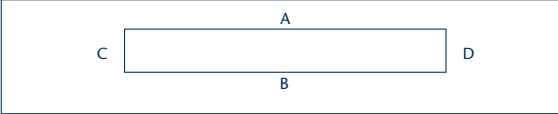
Dimension diagram



Polyester housing CP

CP 122/90	Type	Cat. no.	Wt.
	CP 122/90	4024.1	740g

Threaded drill hole options

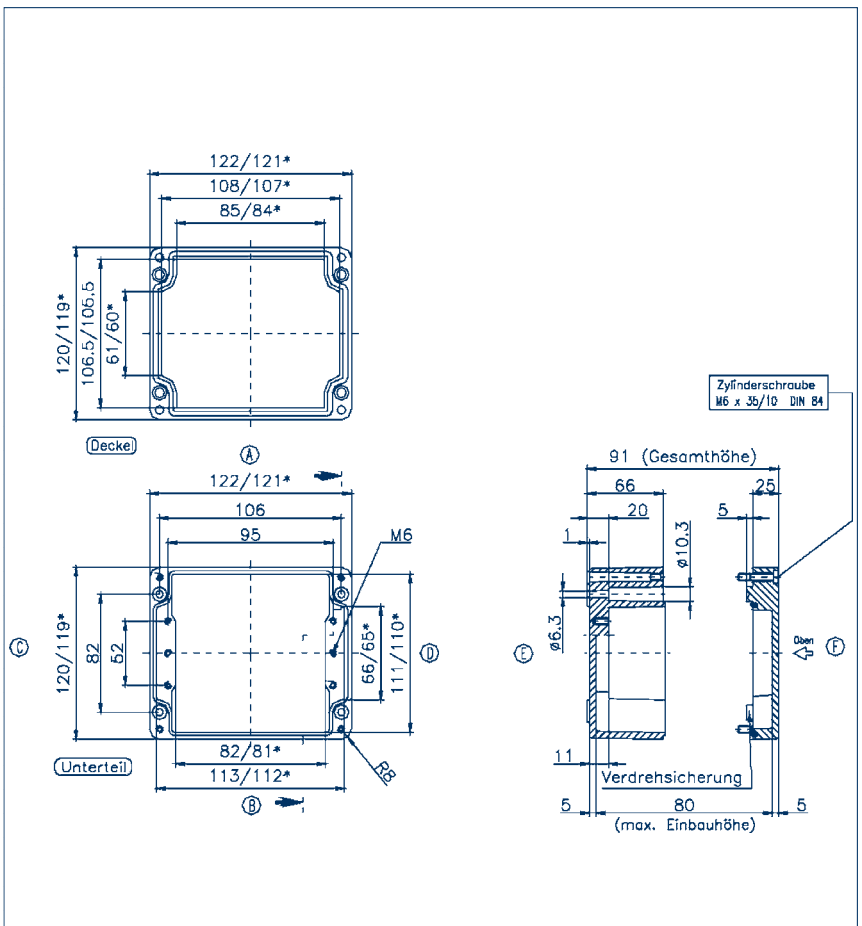


M	A/B	C/D	PG	A/B	C/D
12	18	12	7	18	12
16	8	5	9	12	6
20	6	4	11	8	5
25	3	2	13.5	6	4
32	2	1	16	6	3
40	1	1	21	3	2
50	-	-	29	2	1
63	-	-	36	1	1
			42	-	-
			48	-	-

Accessories Qty.

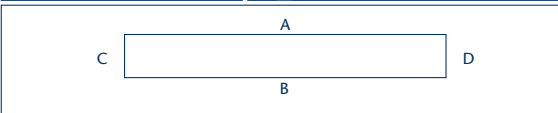
DIN rail section TS15	TS 15/106 MM LONG	
Cat. no.	4559.4	1
DIN rail section TS35		
Cat. no.		
Mounting screw BS	BS M 6x8	100
Cat. no.	4558.0	
Mounting plate MP	MP/P 122	1
Cat. no.	4503.0	
Wall brackets WL	WL/CP/CA long	1
Cat. no.	4509.4	
External joints (pair) AG	AG/CP/CA (pair)	1
Cat. no.	4509.6	

Dimension diagram



CP 160/55	Type	Cat. no.	Wt.
	CP 160/55	4022.1	428g

Threaded drill hole options

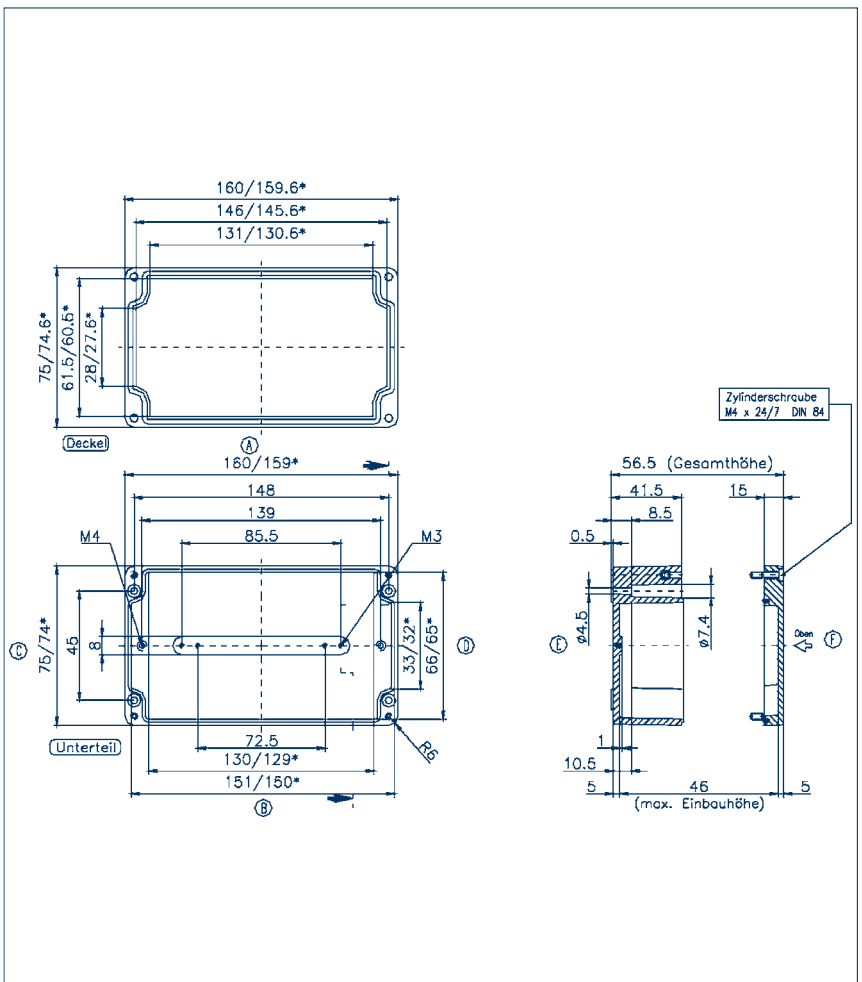


M	A/B	C/D	PG	A/B	C/D
12	16	3	7	16	2
16	6	1	9	9	1
20	5	1	11	6	1
25	3	-	13.5	5	1
32	-	-	16	4	1
40	-	-	21	3	-
50	-	-	29	-	-
63	-	-	36	-	-
			42	-	-
			48	-	-

Accessories Qty.

DIN rail section TS15	TS 15 / 148 mm long	
Cat. no.	4508.0	1
DIN rail section TS35	TS 35/144 mm long	
Cat. no.	4507.4	1
Mounting screw BS	BS M 4x5	100
Cat. no.	4557.0	
Mounting plate MP	MP/P 160	1
Cat. no.	4501.1	
Wall brackets WL	WL/CP/CA short	1
Cat. no.	4509.3	
External joints (pair) AG	AG/CP/CA (pair)	1
Cat. no.	4509.6	

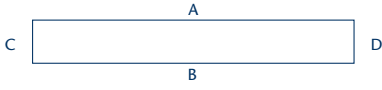
Dimension diagram



Polyester housing CP

CP 160/75		
Type	Cat. no.	Wt.
CP 160/75	4435.1	460g

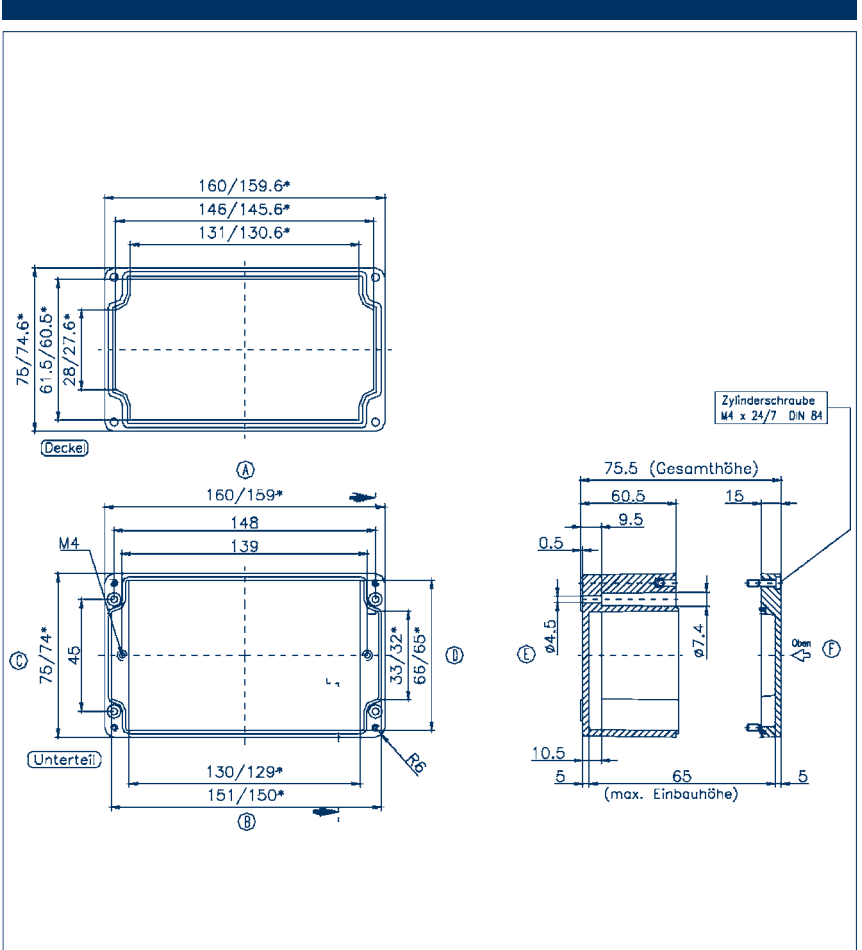
Threaded drill hole options



M	A/B	C/D	PG	A/B	C/D
12	18	5	7	18	5
16	8	2	9	11	3
20	8	2	11	8	2
25	3	1	13.5	8	2
32	2	1	16	5	1
40	-	-	21	3	1
50	-	-	29	2	-
63	-	-	36	-	-
			42	-	-
			48	-	-

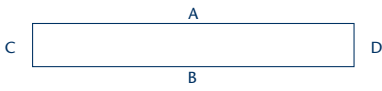
Accessories		Qty.
DIN rail section TS15	TS 15 / 148 mm long	
Cat. no.	4508.0	1
DIN rail section TS35	TS 35/144 mm long	
Cat. no.	4507.4	1
Mounting screw BS	BS M 4x5	100
Cat. no.	4557.0	
Mounting plate MP		
Cat. no.		
Wall brackets WL	WL/CP/CA short	
Cat. no.	4509.3	1
External joints (pair) AG	AG/CP/CA (pair)	
Cat. no.	4509.6	1

Dimension diagram



CP 160/90		
Type	Cat. no.	Wt.
CP 160/90	4025.1	1263g

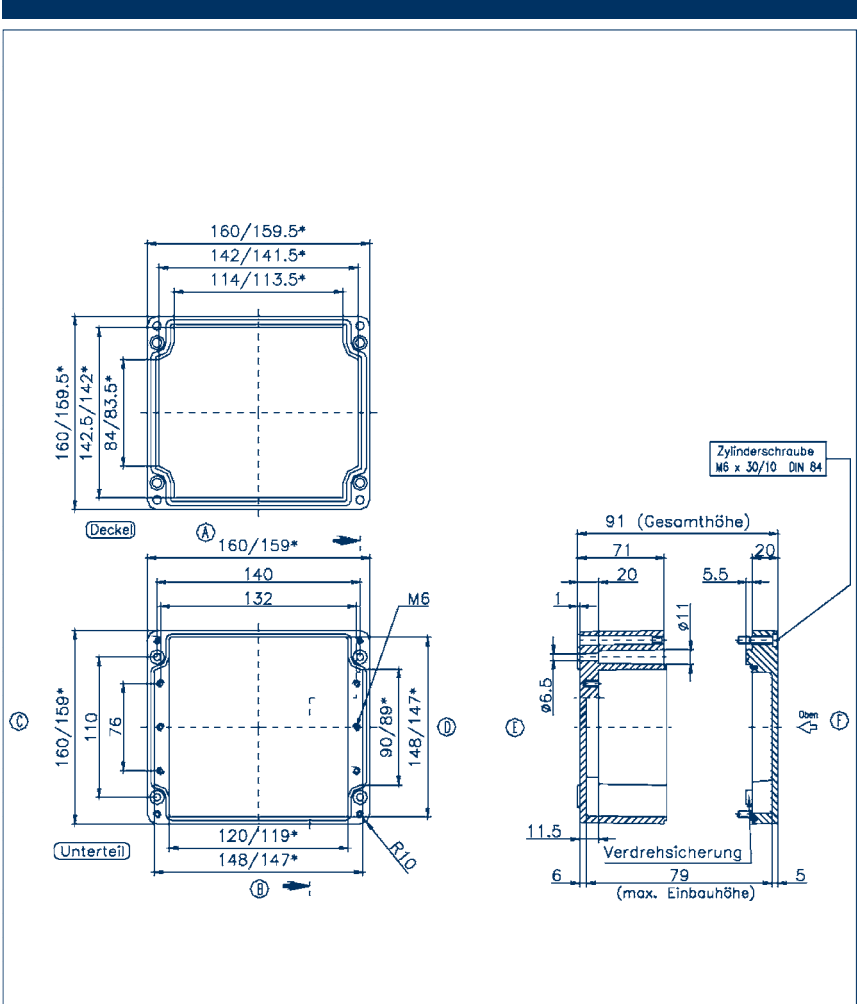
Threaded drill hole options



M	A/B	C/D	PG	A/B	C/D
12	26	18	7	26	18
16	14	8	9	15	12
20	9	6	11	12	8
25	6	3	13.5	9	6
32	3	2	16	8	6
40	2	1	21	6	3
50	2	1	29	2	2
63	-	-	36	2	1
			42	1	-
			48	-	-

Accessories		Qty.
DIN rail section TS15		
Cat. no.		
DIN rail section TS35	TS 35 / 144 mm long	
Cat. no.	4507.4	1
Mounting screw BS	BS M 6x8	100
Cat. no.	4558.0	
Mounting plate MP	MP/P 160	
Cat. no.	4503.2	1
Wall brackets WL	WL/CP/CA long	
Cat. no.	4509.4	1
External joints (pair) AG	AG/CP/CA (pair)	
Cat. no.	4509.6	1

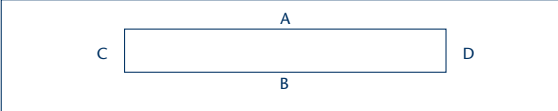
Dimension diagram



Polyester housing CP

CP 190/55	Type	Cat. no.	Wt.
	CP 190/55	4023.1	462g

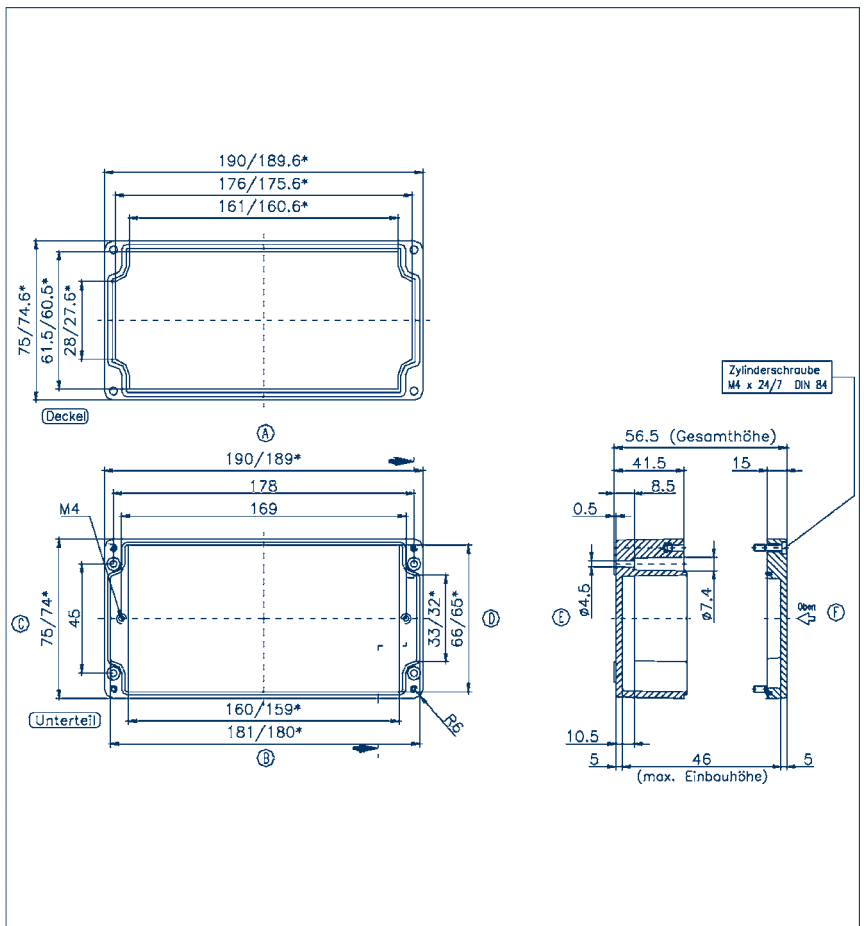
Threaded drill hole options



M	A/B	C/D	PG	A/B	C/D
12	20	4	7	20	4
16	8	1	9	15	2
20	7	1	11	8	1
25	4	1	13.5	7	1
32	-	-	16	6	1
40	-	-	21	4	-
50	-	-	29	-	-
63	-	-	36	-	-
			42	-	-
			48	-	-

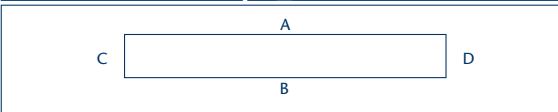
Accessories	Qty.
DIN rail section TS15 Cat. no. 4508.1	TS 15 / 178 mm long 1
DIN rail section TS35 Cat. no.	
Mounting screw BS Cat. no. 4557.0	BS M 4x5 100
Mounting plate MP Cat. no. 4502.8	MP/P 190 1
Wall brackets WL Cat. no. 4509.3	WL/CP/CA short 1
External joints (pair) AG Cat. no. 4509.6	AG/CP/CA (pair) 1

Dimension diagram



CP 190/75	Type	Cat. no.	Wt.
	CP 190/75	4436.1	530g

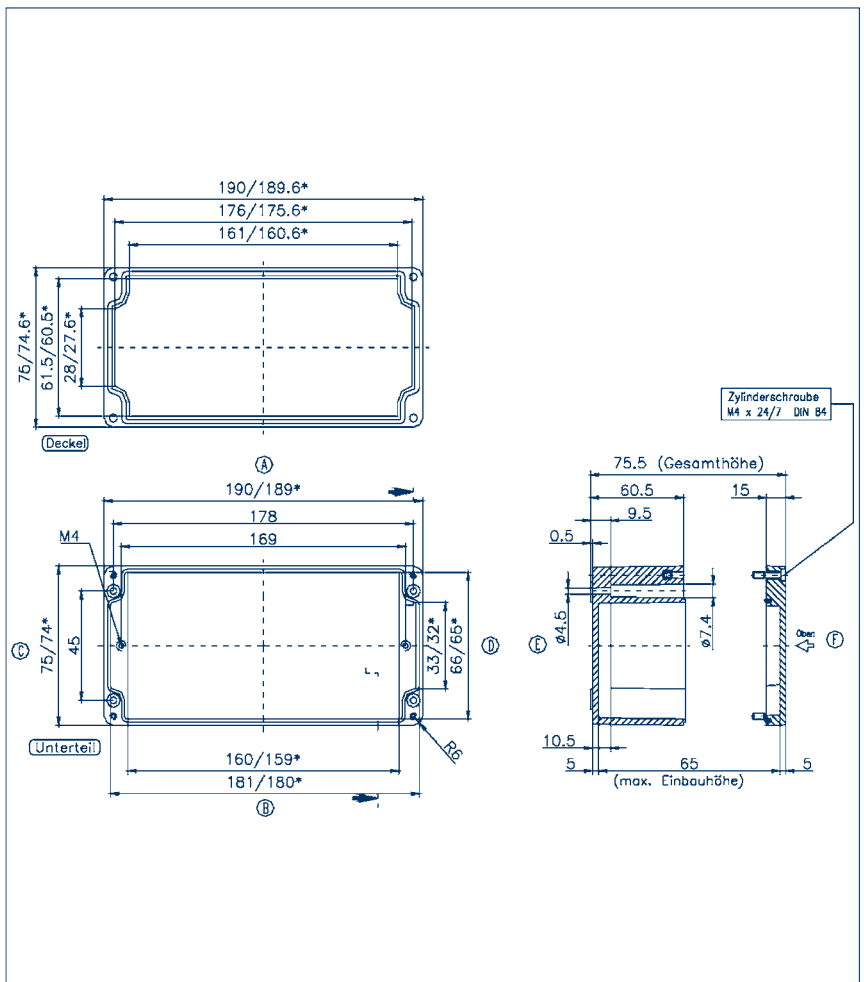
Threaded drill hole options



M	A/B	C/D	PG	A/B	C/D
12	28	6	7	27	5
16	12	2	9	18	3
20	12	2	11	12	2
25	5	1	13.5	12	2
32	3	1	16	10	1
40	-	-	21	5	1
50	-	-	29	3	-
63	-	-	36	-	-
			42	-	-
			48	-	-

Accessories	Qty.
DIN rail section TS15 Cat. no. 4508.1	TS 15 / 178 mm long 1
DIN rail section TS35 Cat. no.	
Mounting screw BS Cat. no. 4557.0	BS M 4x5 100
Mounting plate MP Cat. no. 4502.8	MP/P 190 1
Wall brackets WL Cat. no. 4509.3	WL/CP/CA short 1
External joints (pair) AG Cat. no. 4509.6	AG/CP/CA (pair) 1

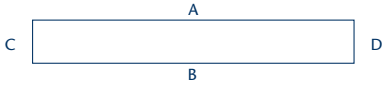
Dimension diagram



Polyester housing CP

CP 220/90	Type	Cat. no.	Wt.
CP 220/90		4026.1	1060g

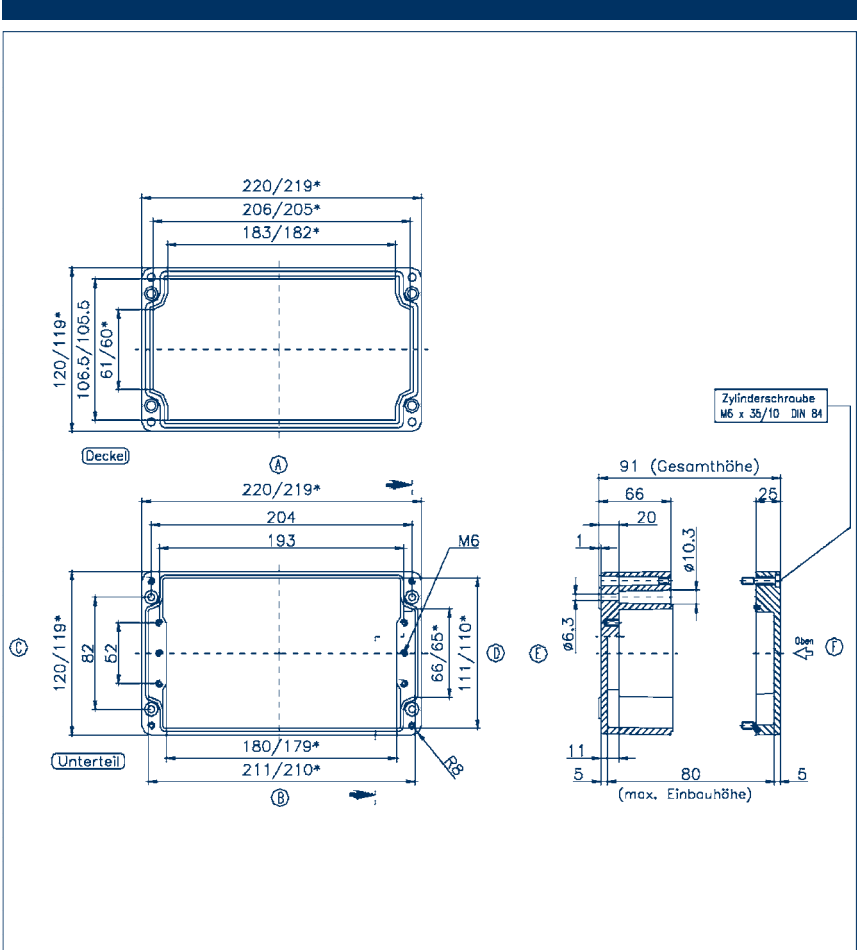
Threaded drill hole options



M	A/B	C/D	PG	A/B	C/D
12	38	12	7	36	12
16	17	5	9	24	6
20	14	4	11	15	5
25	7	2	13.5	14	4
32	4	1	16	12	3
40	3	1	21	6	2
50	-	-	29	4	1
63	-	-	36	3	1
			42	-	-
			48	-	-

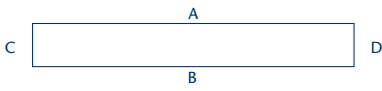
Accessories			Qty.
DIN rail section TS15			
Cat. no.			
DIN rail section TS35	TS 35 / 208 mm long		
Cat. no.	4507.3		1
Mounting screw BS	BS M 6x8		
Cat. no.	4558.0		100
Mounting plate MP	MP/P		
Cat. no.	4503.4		1
Wall brackets WL	WL/CP/CA long		
Cat. no.	4509.4		1
External joints (pair) AG	AG/CP/CA (pair)		
Cat. no.	4509.6		1

Dimension diagram



CP 230/55	Type	Cat. no.	Wt.
CP 230/55		4437.1	575g

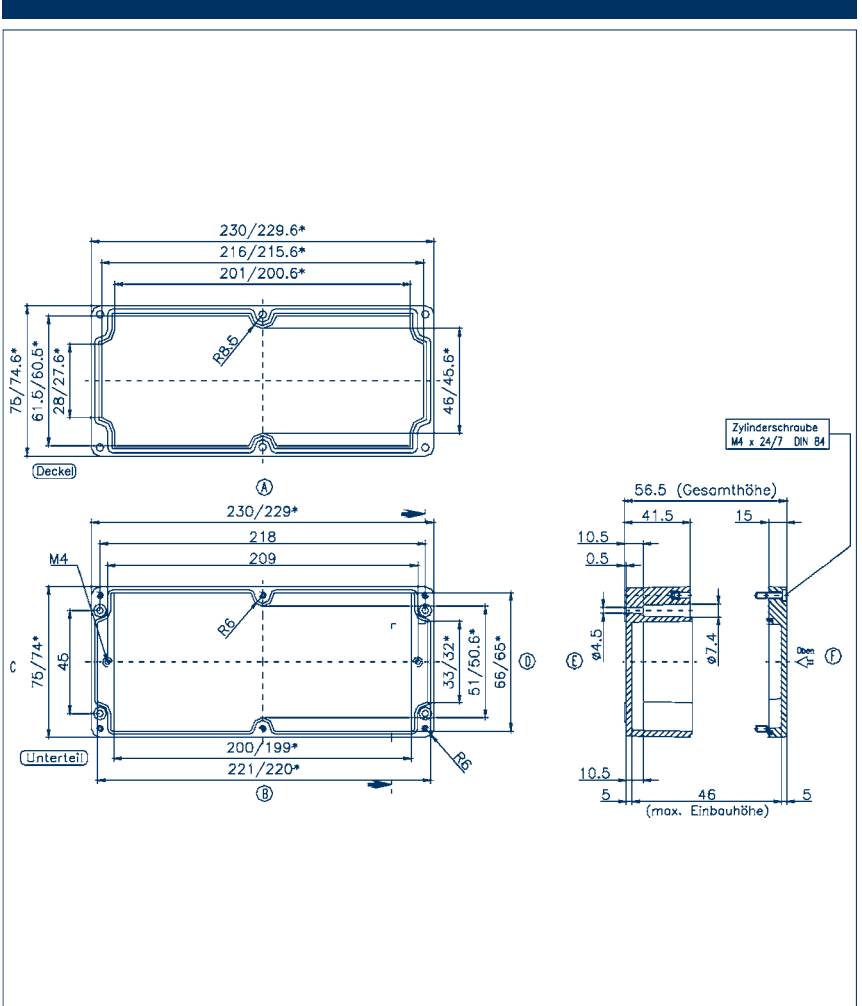
Threaded drill hole options



M	A/B	C/D	PG	A/B	C/D
12	22	3	7	20	3
16	10	1	9	14	1
20	8	1	11	8	1
25	4	1	13.5	8	1
32	-	-	16	6	1
40	-	-	21	4	1
50	-	-	29	-	-
63	-	-	36	-	-
			42	-	-
			48	-	-

Accessories			Qty.
DIN rail section TS15			
Cat. no.			
DIN rail section TS35	TS 35 / 214 mm long		
Cat. no.	4569.0		1
Mounting screw BS	BS M 4x5		
Cat. no.	4557.0		100
Mounting plate MP			
Cat. no.			
Wall brackets WL	WL/CP/CA short		
Cat. no.	4509.3		1
External joints (pair) AG	AG/CP/CA (pair)		
Cat. no.	4509.6		1

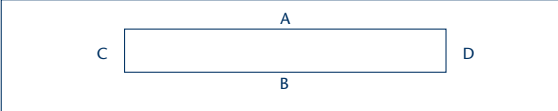
Dimension diagram



Polyester housing CP

CP 230/75	Type	Cat. no.	Wt.
	CP 230/75	4198.1	670g

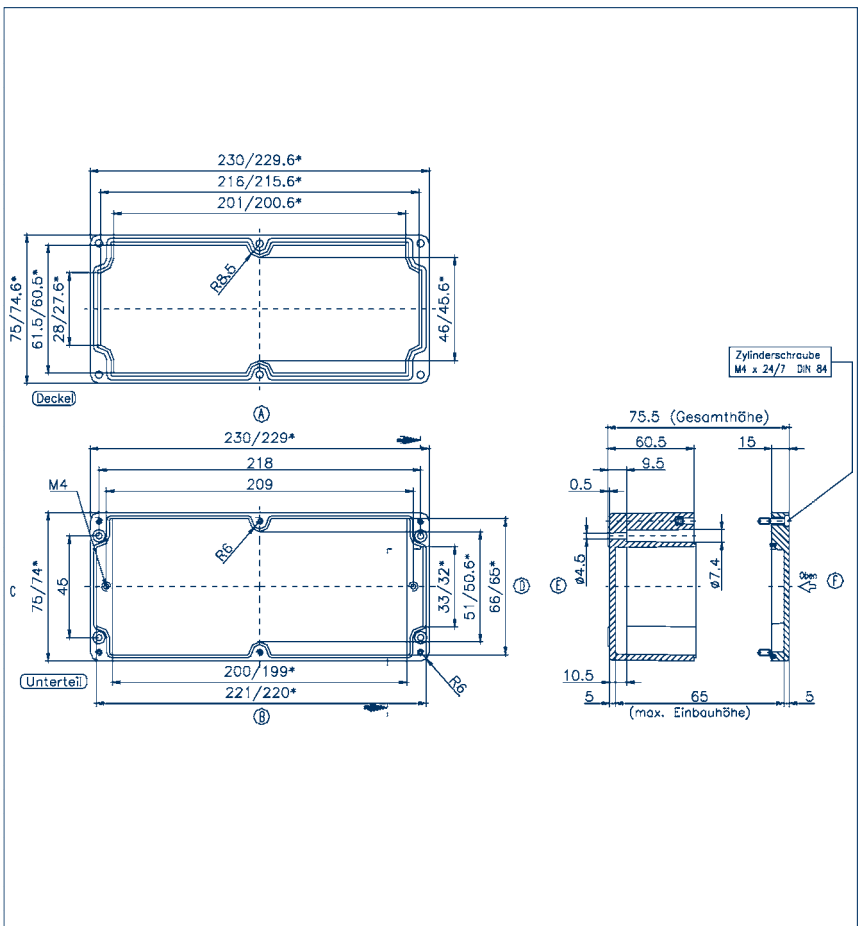
Threaded drill hole options



M	A/B	C/D	PG	A/B	C/D
12	30	6	7	30	6
16	16	2	9	18	3
20	12	2	11	16	2
25	6	1	13.5	12	2
32	4	1	16	10	1
40	-	-	21	6	1
50	-	-	29	4	-
63	-	-	36	-	-
			42	-	-
			48	-	-

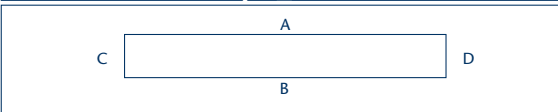
Accessories	Qty.
DIN rail section TS15	
Cat. no.	
DIN rail section TS35	TS 357214 mm long
Cat. no.	4569.0
Mounting screw BS	BS M 4x5
Cat. no.	4557.0
	100
Mounting plate MP	
Cat. no.	
Wall brackets WL	WL/CP/CA short
Cat. no.	4509.3
	1
External joints (pair) AG	AG/CP/CA (pair)
Cat. no.	4509.6
	1

Dimension diagram



CP 255/120	Type	Cat. no.	Wt.
	CP 255/120	4029.1	2691g

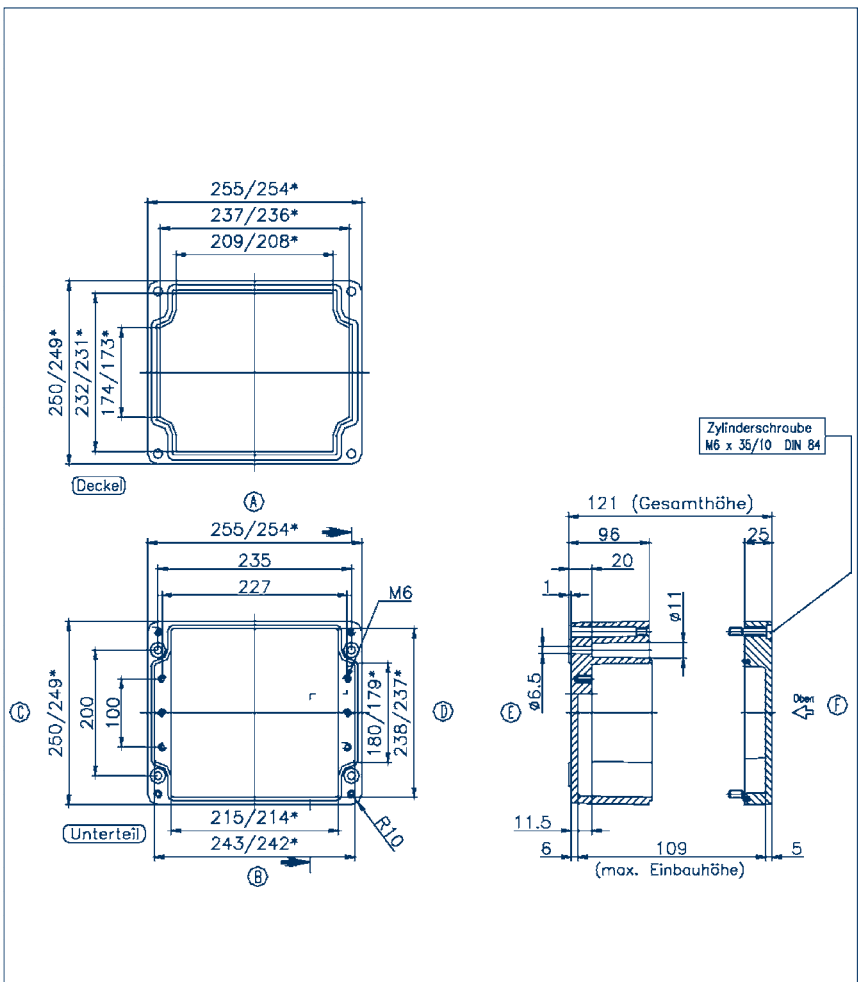
Threaded drill hole options



M	A/B	C/D	PG	A/B	C/D
12	69	51	7	69	51
16	32	24	9	40	32
20	24	18	11	32	24
25	12	10	13.5	24	18
32	8	7	16	21	17
40	4	3	21	12	9
50	3	3	29	8	6
63	3	2	36	4	3
			42	3	2
			48	3	2

Accessories	Qty.
DIN rail section TS15	
Cat. no.	
DIN rail section TS35	TS 35 / 235 mm long
Cat. no.	4508.4
Mounting screw BS	BS M 6x8
Cat. no.	4558.0
	100
Mounting plate MP	MP/P 255
Cat. no.	4509.5
	1
Wall brackets WL	WL/CP/CA long
Cat. no.	4509.4
	1
External joints (pair) AG	AG/CP/CA (pair)
Cat. no.	4509.6
	1

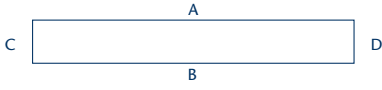
Dimension diagram



Polyester housing CP

CP 260/90	Type	Cat. no.	Wt.
CP 260/90		4027.1	1703g

Threaded drill hole options

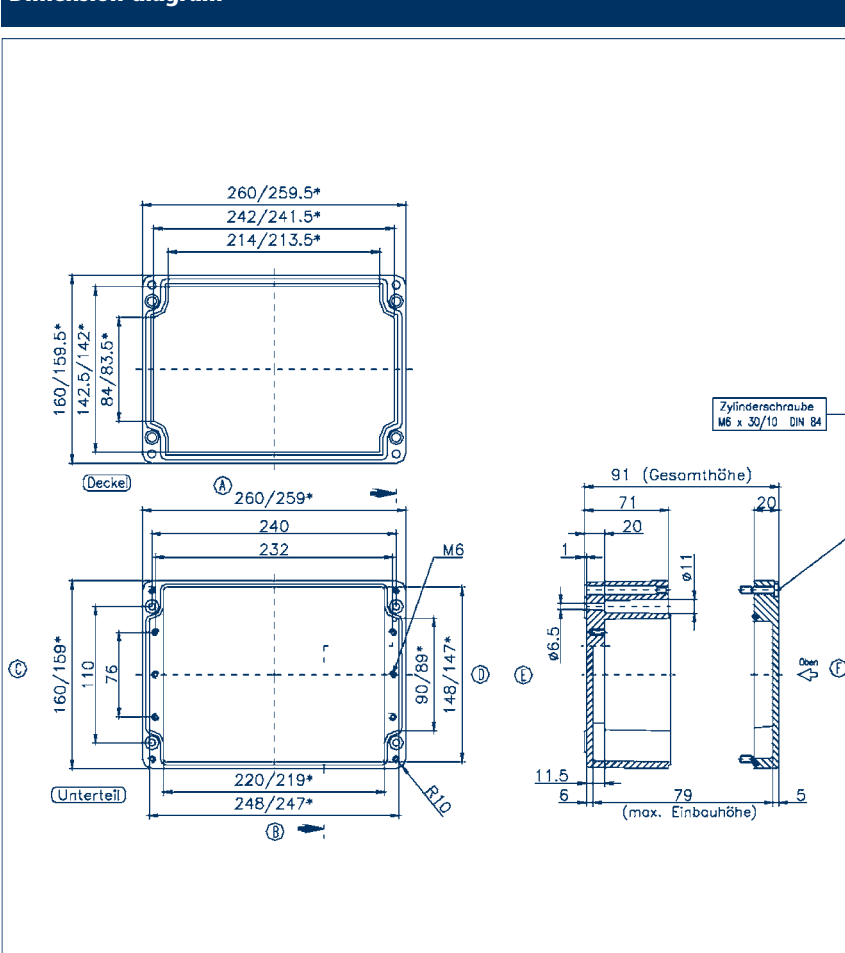


M	A/B	C/D	PG	A/B	C/D
12	50	16	7	50	15
16	26	8	9	30	11
20	17	6	11	21	6
25	11	3	13.5	17	6
32	5	2	16	14	5
40	3	1	21	11	3
50	3	-	29	5	2
63	-	-	36	3	1
			42	3	-
			48	-	-

Accessories Qty.

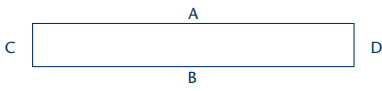
DIN rail section TS15			
Cat. no.			
DIN rail section TS35	TS 35 / 240 mm long		
Cat. no.	4508.2		1
Mounting screw BS	BS M 6x8		
Cat. no.	4558.0		100
Mounting plate MP	MP/P 260		
Cat. no.	4503.6		1
Wall brackets WL	WL/CP/CA long		
Cat. no.	4509.4		1
External joints (pair) AG	AG/CP/CA (pair)		
Cat. no.	4509.6		1

Dimension diagram



CP 360/90	Type	Cat. no.	Wt.
CP 360/90		4028.1	2142g

Threaded drill hole options

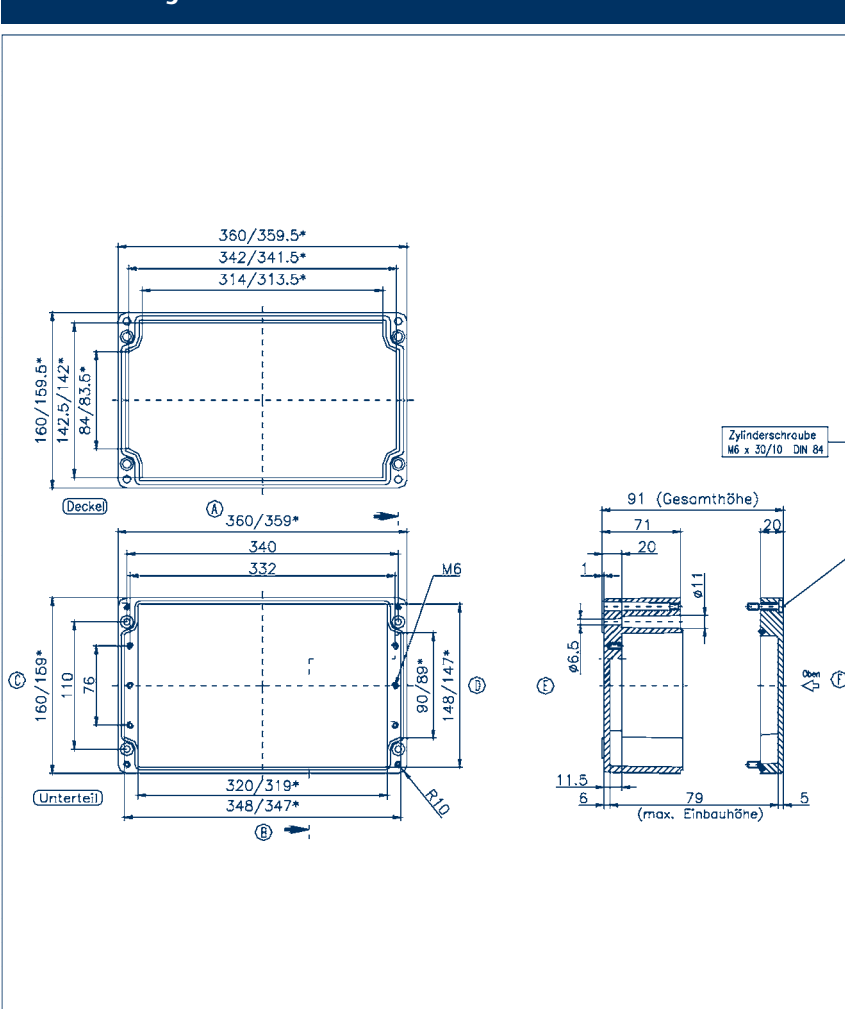


M	A/B	C/D	PG	A/B	C/D
12	72	18	7	72	18
16	38	8	9	42	12
20	26	6	11	36	8
25	16	3	13.5	26	6
32	7	2	16	20	6
40	5	1	21	16	3
50	4	1	29	7	2
63	-	-	36	5	1
			42	4	-
			48	-	-

Accessories Qty.

DIN rail section TS15			
Cat. no.			
DIN rail section TS35	TS 35 / 340 mm long		
Cat. no.	4508.2		1
Mounting screw BS	BS M 6x8		
Cat. no.	4558.0		1
Mounting plate MP	MP/P 360		
Cat. no.	4503.8		1
Wall brackets WL	WL/CP/CA long		
Cat. no.	4509.4		1
External joints (pair) AG	AG/CP/CA (pair)		
Cat. no.	4509.6		1

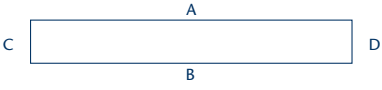
Dimension diagram



Polyester housing CP

CP 400/120		
Type	Cat. no.	Wt.
CP 400/120	4030.1	3645g

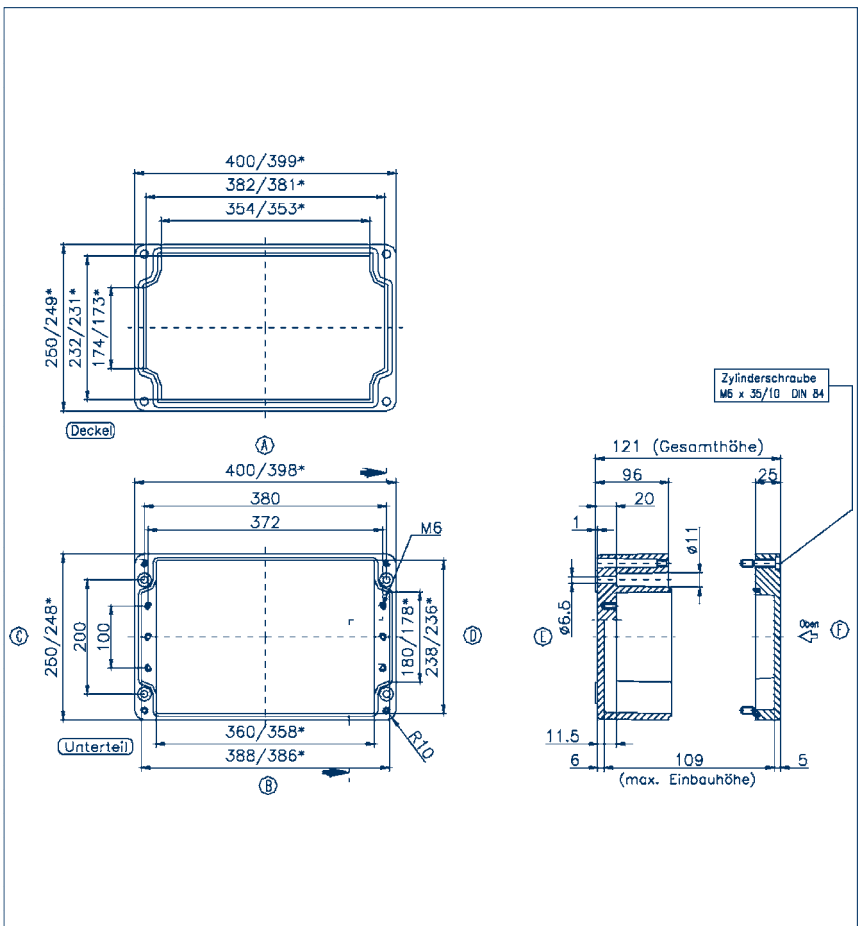
Threaded drill hole options



M	A/B	C/D	PG	A/B	C/D
12	117	50	7	114	50
16	56	22	9	68	32
20	42	18	11	56	21
25	21	10	13.5	40	18
32	14	6	16	33	17
40	7	3	21	21	9
50	5	2	29	14	5
63	5	2	36	7	3
			42	5	2
			48	5	2

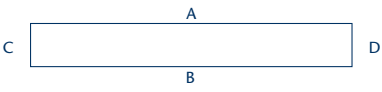
Accessories		Qty.
DIN rail section TS15		
Cat. no.		
DIN rail section TS35	TS 35 / 384 mm long	
Cat. no.	4508.5	1
Mounting screw BS	BS M 6x8	
Cat. no.	4558.0	100
Mounting plate MP	MP / P 400	
Cat. no.	4504.2	1
Wall brackets WL	WL/CP/CA long	
Cat. no.	4509.4	1
External joints (pair) AG	AG/CP/CA (pair)	
Cat. no.	4509.6	1

Dimension diagram



CP 400/120-2		
Type	Cat. no.	Wt.
CP 400/120-2	4031.1	5040g

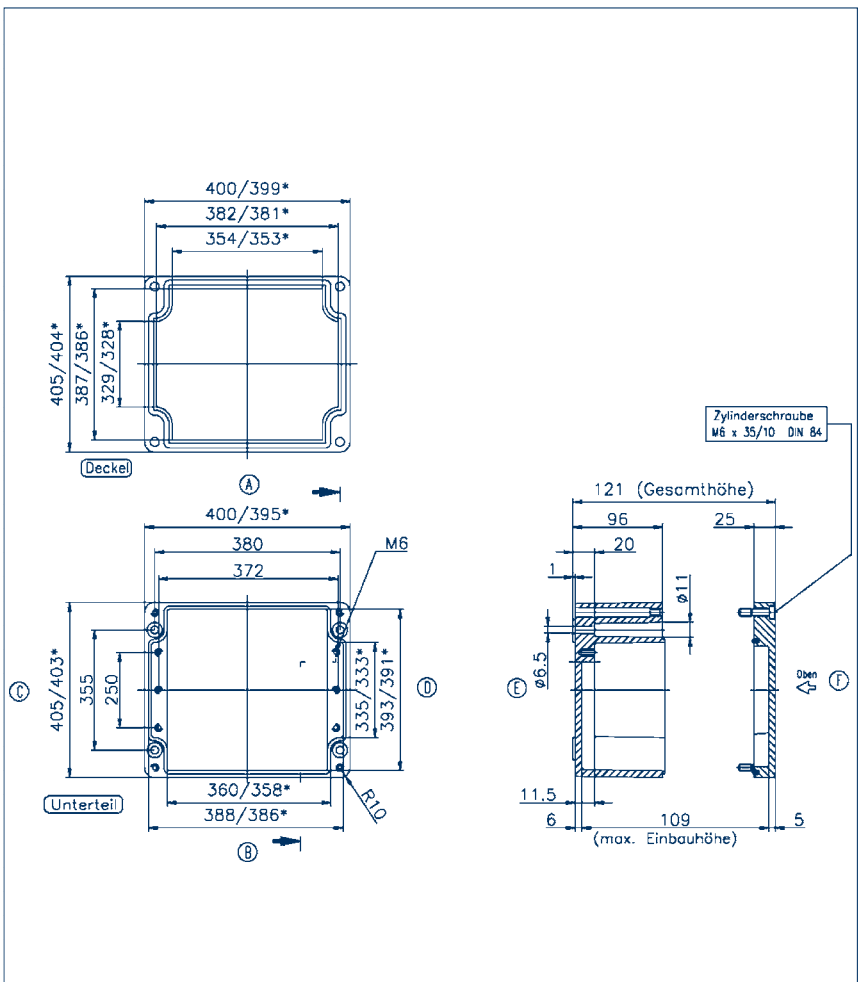
Threaded drill hole options



M	A/B	C/D	PG	A/B	C/D
12	117	95	7	114	95
16	56	46	9	68	60
20	42	36	11	56	44
25	21	18	13.5	40	36
32	14	13	16	33	32
40	7	6	21	21	18
50	5	5	29	14	12
63	5	4	36	7	6
			42	5	5
			48	5	4

Accessories		Qty.
DIN rail section TS15		
Cat. no.		
DIN rail section TS35	TS 35 / 384 mm long	
Cat. no.	4508.5	1
Mounting screw BS	BS M 6x8	
Cat. no.	4558.0	100
Mounting plate MP	MP/P 40074	
Cat. no.	4504.4	1
Wall brackets WL	WL/CP/CA long	
Cat. no.	4509.4	1
External joints (pair) AG	AG/CP/CA (pair)	
Cat. no.	4509.6	1

Dimension diagram



Polyester housing CP

Accessories

Mounting plate



Material 1: Hard laminated paper
Material 2: Galvanized steel

Type	Cat. no.	Qty.	Material	Housing Type
MP/P 110	4500.3	1	1	CP 110
MP/P 122	4503.0	1	2	CP 122
MP/P 160/5	4501.1	1	1	CP 160/55
MP/P 160/9	4503.2	1	2	CP 160/90
MP/P 190	4502.8	1	2	CP 190
MP/P 220	4503.4	1	2	CP 220
MP/P 260	4503.6	1	2	CP 260
MP/P 360	4503.8	1	2	CP 360
MP/P 400/2	4504.2	1	2	CP 400/120
MP/P 400/4	4504.4	1	2	CP 400/120-2

DIN rail TS35



Material: Galvanized steel

Type	Cat. no.	Qty.	Housing Type
TS 35 / 144 mm long	4507.4	1	CP 160
TS 35 / 208 mm long	4507.3	1	CP 220
TS 35 / 214 mm long	4569.0	1	CP 230
TS 35 / 235 mm long	4508.4	1	CP 255
TS 35 / 240 mm long	4508.2	1	CP 260
TS 35 / 340 mm long	4508.3	1	CP 360
TS 35 / 384 mm long	4508.5	1	CP 400

DIN rail TS15



Material: Galvanized steel

Type	Cat. no.	Qty.	Housing Type
TS 15 / 42 mm long	4567.0	1	CP 55
TS 15 / 68 mm long	4507.8	1	CP 80
TS 15 / 98 mm long	4507.9	1	CP 110
TS 15 / 106 mm long	4559.4	1	CP 122
TS 15 / 148 mm long	4508.0	1	CP 160
TS 15 / 178 mm long	4508.1	1	CP 190

Mounting screw BS



Material: Galvanized steel

Type	Cat. no.	Qty.	Housing Type
BS M 3X5	4556.0	100	CP 55
BS M 4X5	4557.0	100	CP 80, CP 110, CP 160/55+75, CP 190, CP 230
BS M 6X8	4558.0	100	CP 122, CP 160/90, CP 220, CP 255, CP 260, CP 360, CP 400

External joint AG



Material: Aluminium
Colour: grey, similar to RAL 7000

Type	Cat. no.	Qty.	Housing Type
AG/CP/CA (pair)	4509.6	1	CP 122, CP 160, CP 220, CP 255, CP 260, CP 360, CP 400

Swivel range: 150°
Set = 2 pieces

Wall brackets WL



Material: Stainless steel

Type	Cat. no.	Qty.	Housing Type
WL/CP/CA short	4509.3	1	All except CP 55
WL/CP/CA long	4509.4	1	CP 80, CP 110

Wall bracket set made of steel: set = 4 pieces

ABS housing CT | Polycarbonate housing CM

ABS housing / Polycarbonate housing

- 7 basic housings with different cover heights
- Grey or transparent cover
- Material: ABS (CT) or glass-fibre reinforced polycarbonate (CM)
- Smooth side walls
- A comprehensive line of accessories



Technical data ABS housing CT

Material
Protection
Toxicity characteristics
Flammability class according to UL 94
Thermal stability
Chemical resistance
Sea water resistance
UV resistance
Colour
Impact resistance

ABS
IP66
halogen-free/cadmium-free
HB
-40 °C to +80 °C
good
good
satisfactory
grey, similar to RAL 7035
>7 Joule acc. to EN 50014

Outer dimensions			Dimension diagram
L	B	H	Page
52	50	35	53
82	80	55	53
82	80	85	54
120	80	55	54
120	80	85	55
122	120	55	55
122	120	85	56
160	80	55	56
160	80	85	57
200	120	75	57
200	150	75	58
240	120	100	58
240	160	90	59
240	160	120	59

ABS		
Type	Cat. no.	
CT 52	4080.3	
CT 82/5	4081.3	
CT 82/8	4082.3	
CT 120/5	4083.3	
CT 120/8	4084.3	
CT 122/5	4087.3	
CT 122/8	4088.3	
CT 160/5	4085.3	
CT 160/8	4086.3	
CT 200/12	4089.3	
CT 200/15	4090.3	
CT 240	4091.3	
CT 240/9	4092.3	
CT 240/12	4093.3	

Technical data Polycarbonate housing CM

Material
Protection
Toxicity characteristics
Flammability class according to UL 94
Thermal stability
Chemical resistance
Sea water resistance
UV resistance
Colour
Impact resistance

Polycarbonate
IP66
halogen-free/cadmium-free
V2 (5V ₂)
-40 °C to +100 °C
good
very good
good
grey, similar to RAL 7035
>7 Joule acc. to EN 50014

Outer dimensions			Dimension diagram
L	B	H	Page
52	50	35	53
82	80	55	53
82	80	85	54
120	80	55	54
120	80	85	55
122	120	55	55
122	120	85	56
160	80	55	56
160	80	85	57
200	120	75	57
200	150	75	58
240	120	100	58
240	160	90	59
240	160	120	59

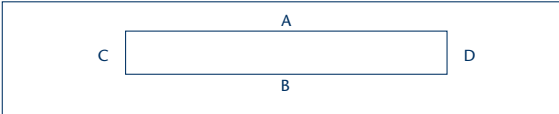
Polycarbonate		Polycarbonate cover Transparent	
Type	Cat. no.	Type	Cat. no.
CM 52	4040.2	CM 52/DT	4060.2
CM 82/5	4041.2	CM 82/5/DT	4061.2
CM 82/8	4042.2	CM 82/8/DT	4062.2
CM 120/5	4043.2	CM 120/5/DT	4063.2
CM 120/8	4044.2	CM 120/8/DT	4064.2
CM 122/5	4047.2	CM 122/5/DT	4067.2
CM 122/8	4048.2	CM 122/8/DT	4068.2
CM 160/5	4045.2	CM 160/5/DT	4065.2
CM 160/8	4046.2	CM 160/8/DT	4066.2
CM 200/12	4049.2	CM 200/12/DT	4069.2
CM 200/15	4050.2	CM 200/15/DT	4070.2
CM 240	4051.2	CM 240/DT	4071.2
CM 240/9	4052.2	CM 240/9/DT	4072.2
CM 240/12	4053.2	CM 240/12/DT	4073.2

ABS housing CT | Polycarbonate housing CM

CT 52 | CM 52

Type	Cat. no.	Wt.
CT 52	4080.3	41g
CM 52	4040.2	43g
CM 52/DT	4060.2	55g

Threaded drill hole options

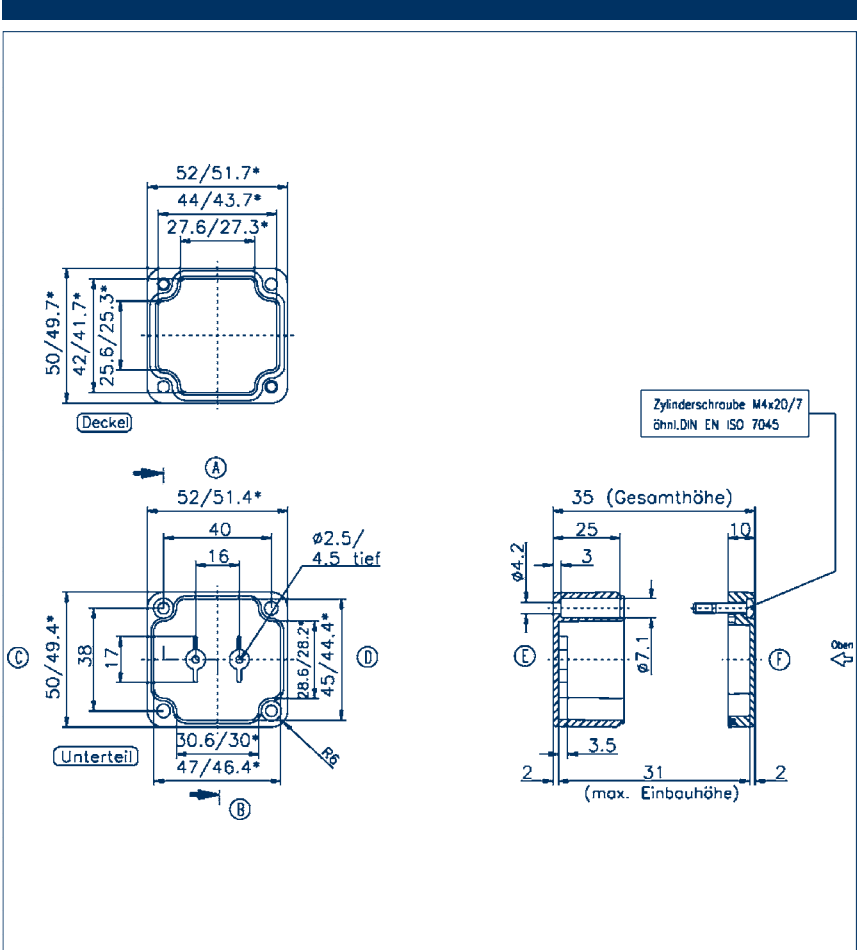


M	A/B	C/D	PG	A/B	C/D
12	2	1	7	2	1
16	-	-	9	1	1
20	-	-	11	-	-
25	-	-	13.5	-	-
32	-	-	16	-	-
40	-	-	21	-	-
50	-	-	29	-	-
63	-	-	36	-	-
			42	-	-
			48	-	-

Accessories

Accessories	Qty.
DIN rail section TS15	
Cat. no.	
DIN rail section TS35	
Cat. no.	
Mounting plate MP	MP/M-T/ 52
Cat. no.	4504.6
Wall brackets WL	WL/CM/CT
Cat. no.	4510.2
External joints (pair) AG	AG/CT/CM (pair)
Cat. no.	4510.3

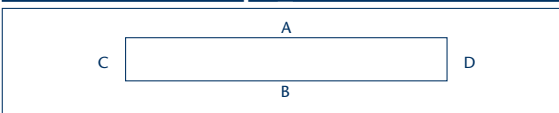
Dimension diagram



CT 82/5 | CM 82/5

Type	Cat. no.	Wt.
CT 82/5	4081.3	131g
CM 82/5	4041.2	145g
CM 82/5/DT	4061.2	163g

Threaded drill hole options

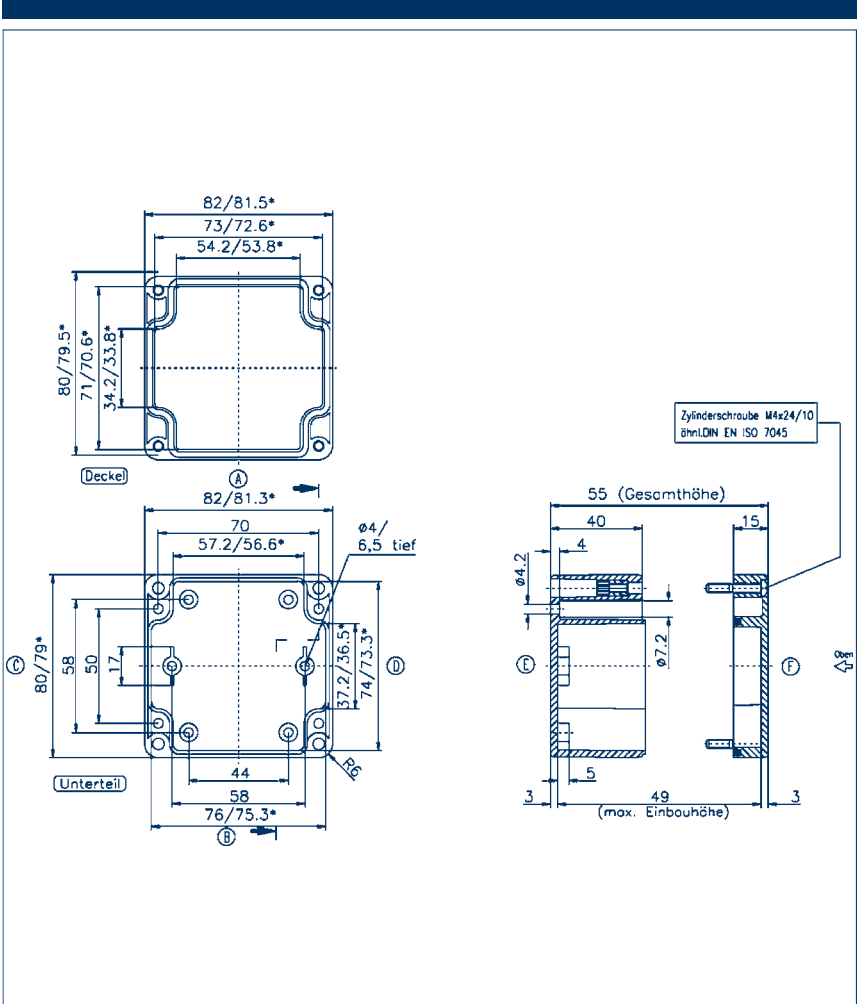


M	A/B	C/D	PG	A/B	C/D
12	6	4	7	6	4
16	2	2	9	3	2
20	2	1	11	2	1
25	1	1	13.5	2	1
32	-	-	16	2	1
40	-	-	21	1	1
50	-	-	29	-	-
63	-	-	36	-	-
			42	-	-
			48	-	-

Accessories

Accessories	Qty.
DIN rail section TS15	TS 15 / 68 mm long
Cat. no.	4507.8
DIN rail section TS35	
Cat. no.	
Mounting plate MP	MP/M-T/ 82
Cat. no.	4504.8
Wall brackets WL	WL/CM/CT
Cat. no.	4510.2
External joints (pair) AG	AG/CT/CM (pair)
Cat. no.	4510.3

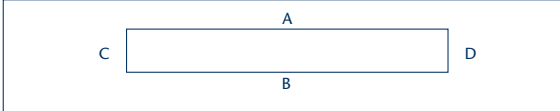
Dimension diagram



ABS housing CT | Polycarbonate housing CM

CT 82/8 CM 82/8		
Type	Cat. no.	Wt.
CT 82/8	4082.3	164g
CM 82/8	4042.2	182g
CM 82/8/DT	4062.2	201g

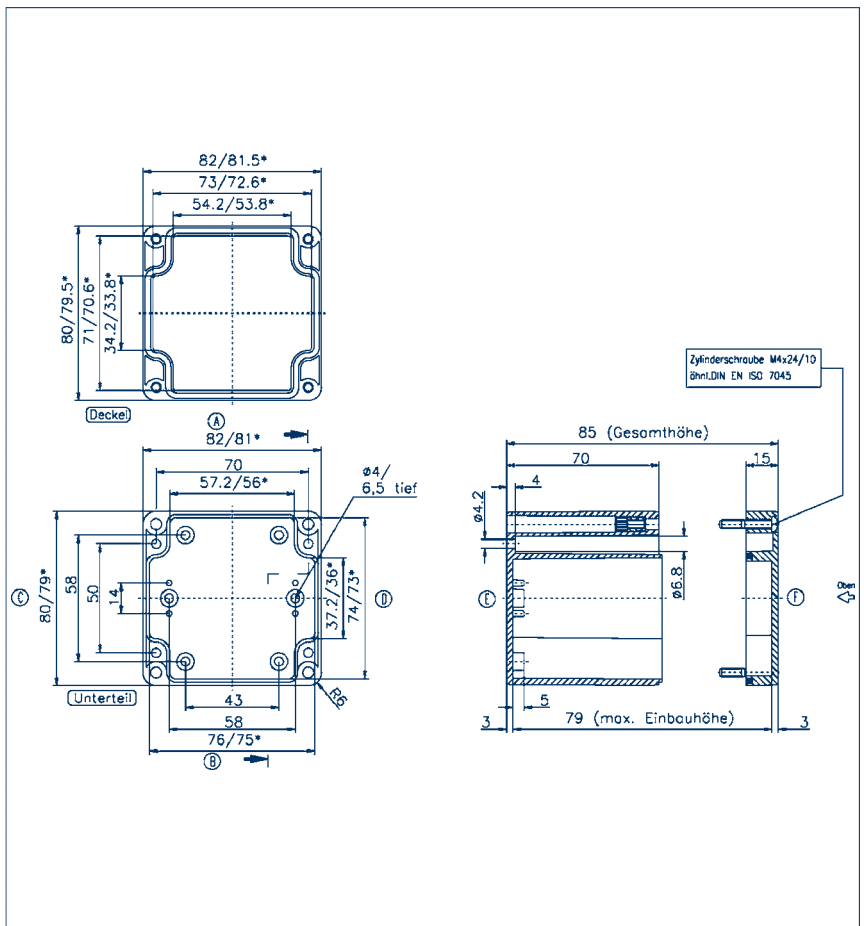
Threaded drill hole options



M	A/B	C/D	PG	A/B	C/D
12	10	8	7	10	6
16	5	2	9	6	3
20	4	2	11	5	2
25	2	1	13.5	4	2
32	1	1	16	4	2
40	1	-	21	1	1
50	-	-	29	1	-
63	-	-	36	1	-
			42	-	-
			48	-	-

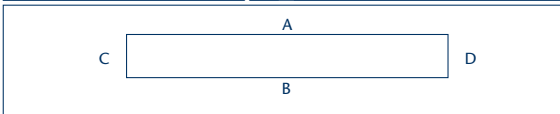
Accessories		Qty.
DIN rail section TS15	TS 15 / 68 mm long	
Cat. no.	4507.8	1
DIN rail section TS35		
Cat. no.		
Mounting plate MP	MP/M-T/ 82	
Cat. no.	4504.8	1
Wall brackets WL	WL/CM/CT	
Cat. no.	4510.2	1
External joints (pair) AG	AG/CT/CM (pair)	
Cat. no.	4510.3	1

Dimension diagram



CT 120/5 CM 120/5		
Type	Cat. no.	Wt.
CT 120/5	4083.3	168g
CM 120/5	4043.2	178g
CM 120/5/DT	4063.2	210g

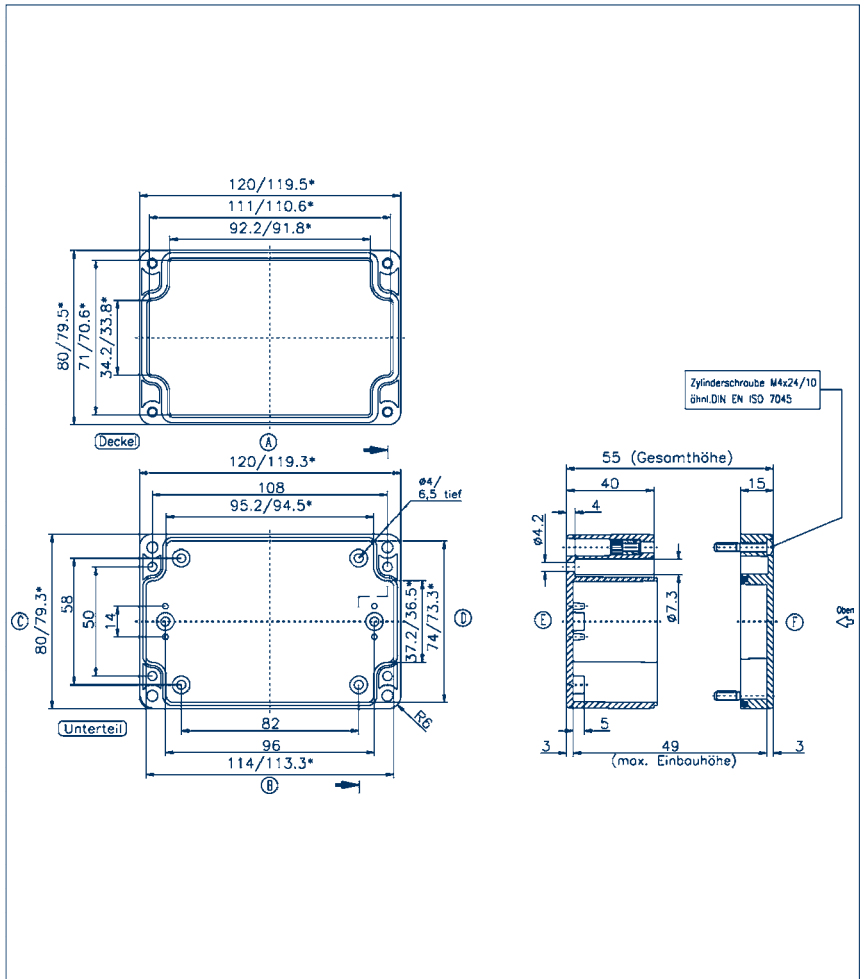
Threaded drill hole options



M	A/B	C/D	PG	A/B	C/D
12	10	3	7	10	3
16	4	1	9	6	2
20	3	1	11	4	1
25	2	-	13.5	3	1
32	-	-	16	3	1
40	-	-	21	2	-
50	-	-	29	-	-
63	-	-	36	-	-
			42	-	-
			48	-	-

Accessories		Qty.
DIN rail section TS15	TS 15 / 110 mm long	
Cat. no.	4510.8	1
DIN rail section TS35		
Cat. no.		
Mounting plate MP	MP/M-T/ 120	
Cat. no.	4505.0	1
Wall brackets WL	WL/CM/CT	
Cat. no.	4510.2	1
External joints (pair) AG	AG/CT/CM (pair)	
Cat. no.	4510.3	1

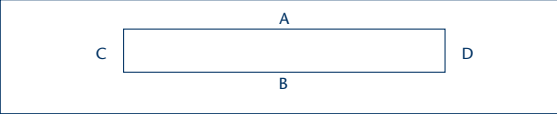
Dimension diagram



ABS housing CT | Polycarbonate housing CM

CT 120/8 CM 120/8		
Type	Cat. no.	Wt.
CT 120/8	4084.3	196g
CM 120/8	4044.2	218g
CM 120/8/DT	4064.2	223g

Threaded drill hole options

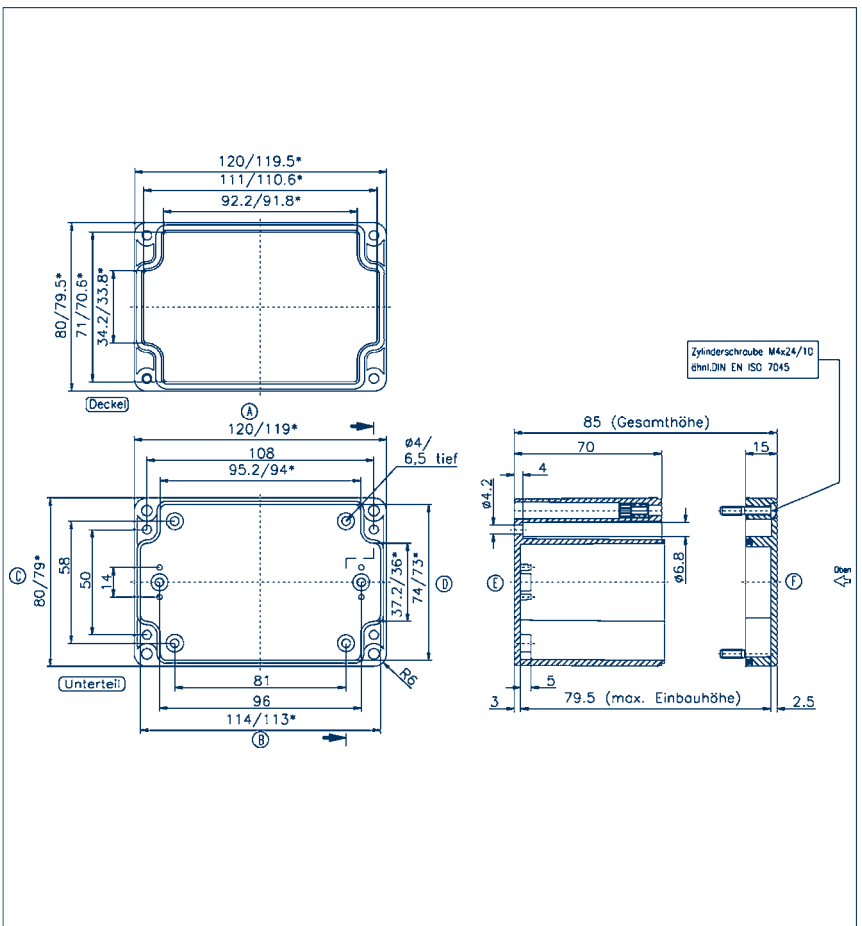


M	A/B	C/D	PG	A/B	C/D
12	16	6	7	16	6
16	8	2	9	11	3
20	6	2	11	8	2
25	3	1	13.5	6	2
32	2	1	16	6	2
40	1	-	21	3	1
50	-	-	29	2	-
63	-	-	36	1	-
			42	-	-
			48	-	-

Accessories Qty.

DIN rail section TS15	TS 15 / 110 mm long	1
Cat. no.	4510.8	
DIN rail section TS35		
Cat. no.		
Mounting plate MP	MP/M-T/ 120	1
Cat. no.	4505.0	
Wall brackets WL	WL/CM/CT	1
Cat. no.	4510.2	
External joints (pair) AG	AG/CT/CM (pair)	1
Cat. no.	4510.3	

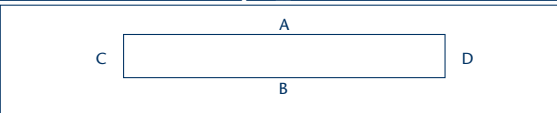
Dimension diagram



CT 122/5 | CM 122/5

Type	Cat. no.	Wt.
CT 122/5	4087.3	210g
CM 122/5	4047.2	239g
CM 122/5/DT	4067.2	268g

Threaded drill hole options

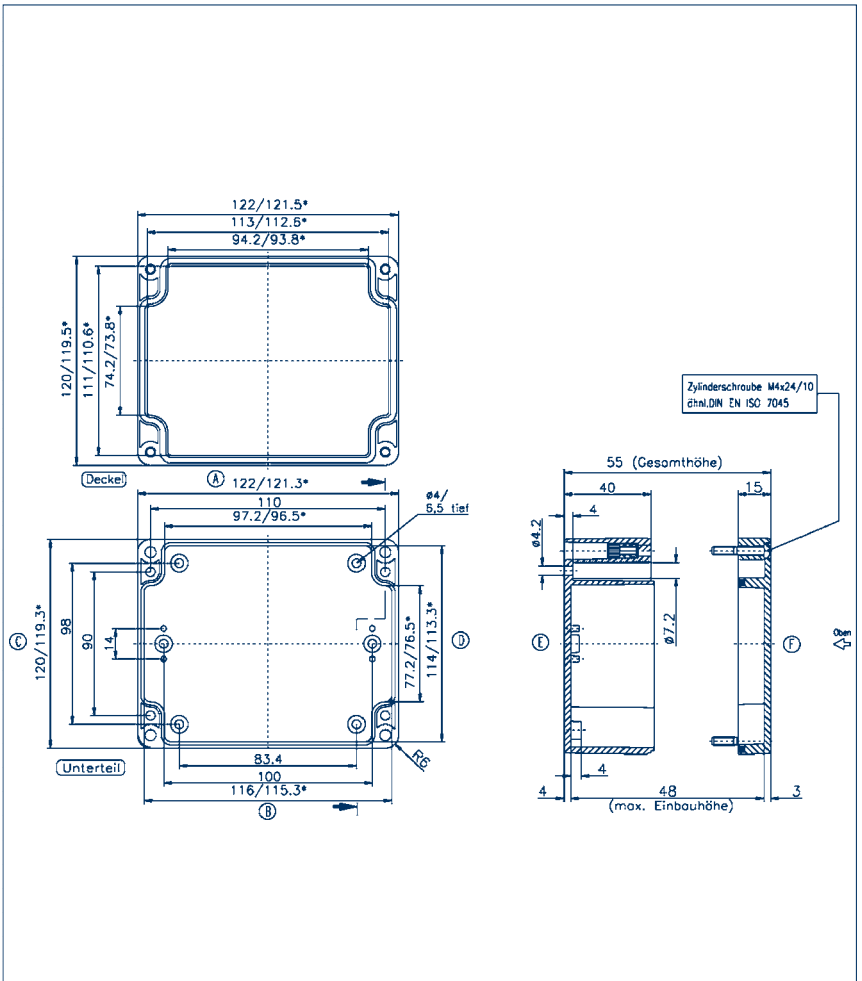


M	A/B	C/D	PG	A/B	C/D
12	11	8	7	11	8
16	4	3	9	6	4
20	4	3	11	4	3
25	2	2	13.5	4	3
32	-	-	16	3	2
40	-	-	21	2	2
50	-	-	29	-	-
63	-	-	36	-	-
			42	-	-
			48	-	-

Accessories Qty.

DIN rail section TS15	TS 15 / 110 mm long	1
Cat. no.	4510.8	
DIN rail section TS35	TS 35 / 112 mm long	1
Cat. no.	4508.8	
Mounting plate MP	MP/M-T/ 122	1
Cat. no.	4505.4	
Wall brackets WL	WL/CM/CT	1
Cat. no.	4510.2	
External joints (pair) AG	AG/CT/CM (pair)	1
Cat. no.	4510.3	

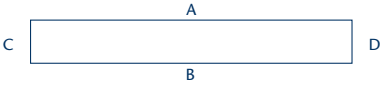
Dimension diagram



ABS housing CT | Polycarbonate housing CM

CT 122/8 CM 122/8		
Type	Cat. no.	Wt.
CT 122/8	4088.3	274g
CM 122/8	4048.2	306g
CM 122/8/DT	4068.2	338g

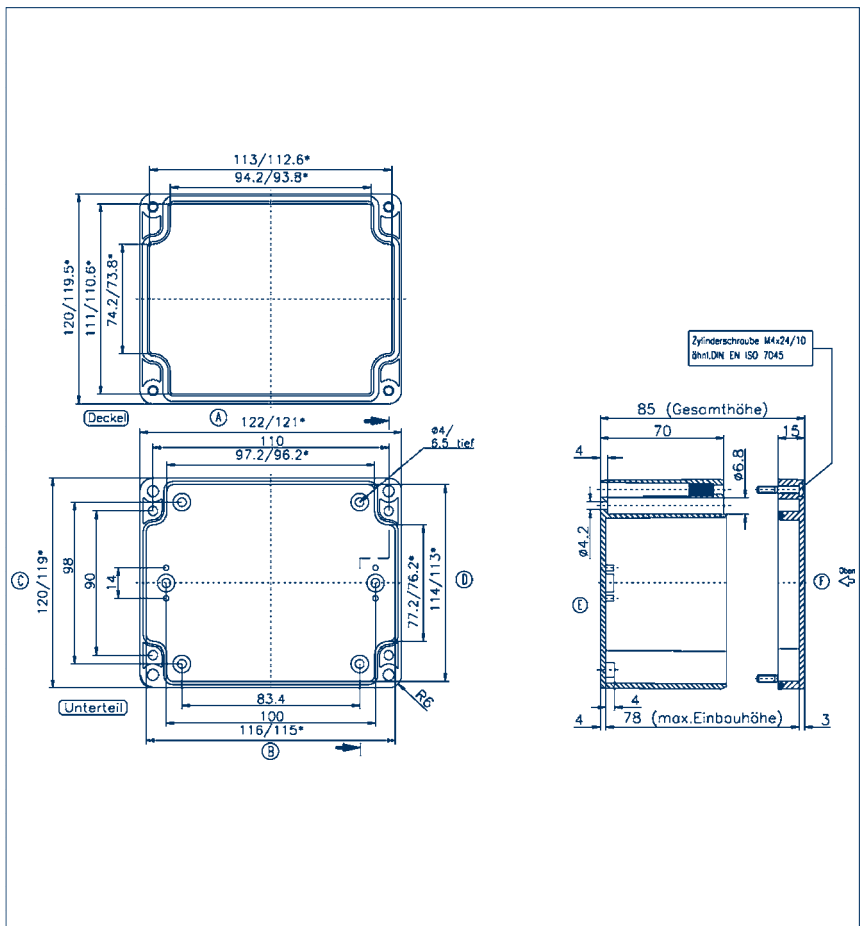
Threaded drill hole options



M	A/B	C/D	PG	A/B	C/D
12	20	14	7	20	14
16	9	6	9	12	9
20	6	5	11	9	6
25	4	2	13.5	6	5
32	2	1	16	6	4
40	1	1	21	3	2
50	1	-	29	2	1
63	-	-	36	1	1
			42	-	-
			48	-	-

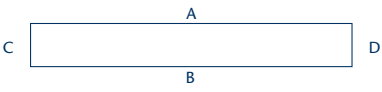
Accessories		Qty.
DIN rail section TS15	TS 15 / 110 mm long	
Cat. no.	4510.8	1
DIN rail section TS35	TS 35 / 112 mm long	
Cat. no.	4508.8	1
Mounting plate MP	MP/M-T/ 122	
Cat. no.	4505.4	1
Wall brackets WL	WL/CM/CT	
Cat. no.	4510.2	1
External joints (pair) AG	AG/CT/CM (pair)	
Cat. no.	4510.3	1

Dimension diagram



CT 160/5 CM 160/5		
Type	Cat. no.	Wt.
CT 160/5	4085.3	199g
CM 160/5	4045.2	218g
CM 160/5/DT	4065.2	266g

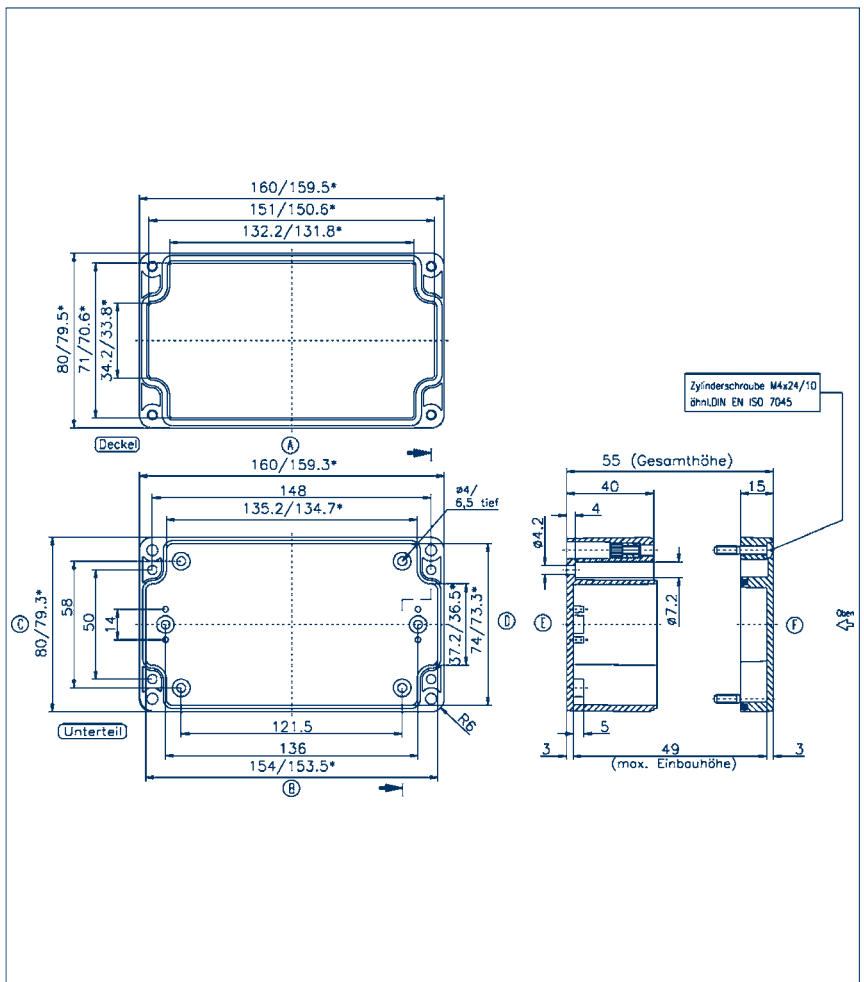
Threaded drill hole options



M	A/B	C/D	PG	A/B	C/D
12	16	4	7	14	4
16	6	2	9	8	2
20	5	1	11	6	1
25	3	1	13.5	5	1
32	-	-	16	4	1
40	-	-	21	3	-
50	-	-	29	-	-
63	-	-	36	-	-
			42	-	-
			48	-	-

Accessories		Qty.
DIN rail section TS15	TS 15 / 144 mm long	
Cat. no.	4508.7	1
DIN rail section TS35		
Cat. no.		
Mounting plate MP	MP/M-T/ 160	
Cat. no.	4505.2	1
Wall brackets WL	WL/CM/CT	
Cat. no.	4510.2	1
External joints (pair) AG	AG/CT/CM (pair)	
Cat. no.	4510.3	1

Dimension diagram

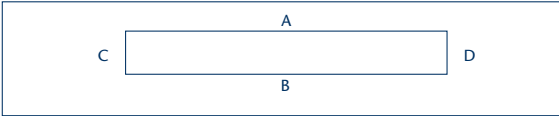


ABS housing CT | Polycarbonate housing CM

CT 160/8 | CM 160/8

Type	Cat. no.	Wt.
CT 160/8	4086.3	239g
CM 160/8	4046.2	268g
CM 160/8/DT	4066.2	303g

Threaded drill hole options

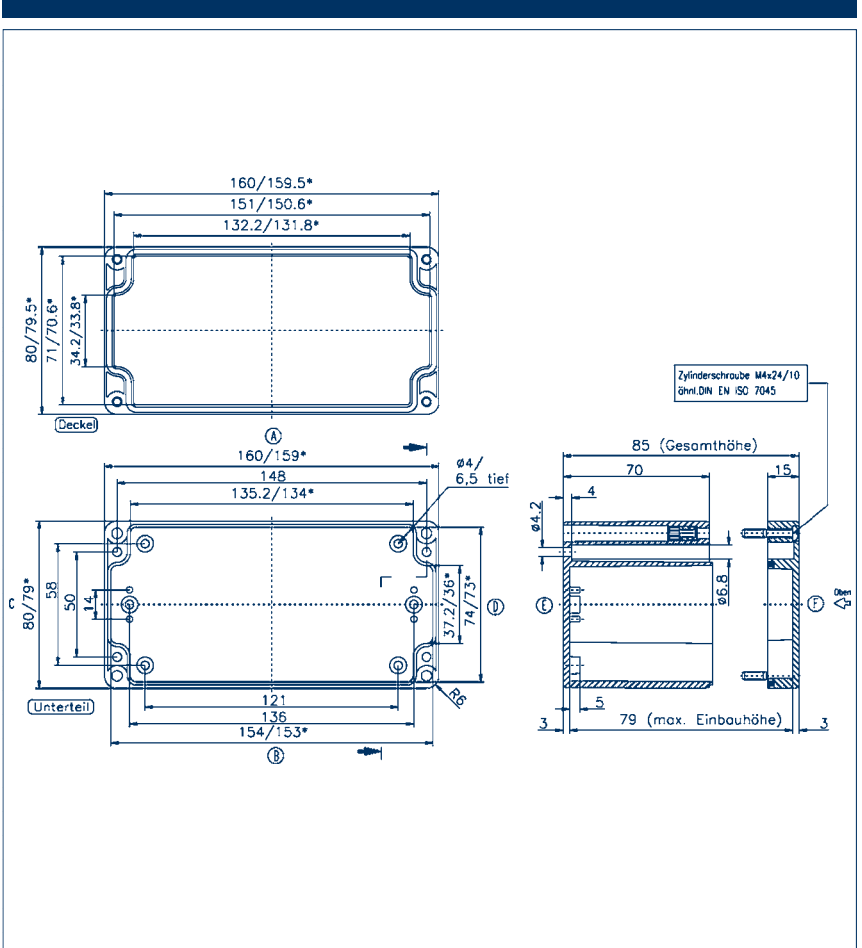


M	A/B	C/D	PG	A/B	C/D
12	28	6	7	28	6
16	14	3	9	18	4
20	9	2	11	12	2
25	5	1	13.5	9	2
32	3	1	16	8	2
40	2	-	21	5	1
50	2	-	29	3	-
63	-	-	36	2	-
			42	-	-
			48	-	-

Accessories

Accessories	Qty.
DIN rail section TS15	TS 15 / 144 mm long
Cat. no.	4508.7
DIN rail section TS35	
Cat. no.	
Mounting plate MP	MP/M-T/ 160
Cat. no.	4505.2
Wall brackets WL	WL/CM/CT
Cat. no.	4510.2
External joints (pair) AG	AG/CT/CM (pair)
Cat. no.	4510.3

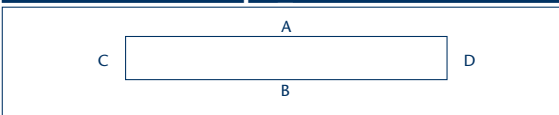
Dimension diagram



CT 200/12 | CM 200/12

Type	Cat. no.	Wt.
CT 200/12	4089.3	359g
CM 200/12	4049.2	390g
CM 200/12/DT	4069.2	465g

Threaded drill hole options

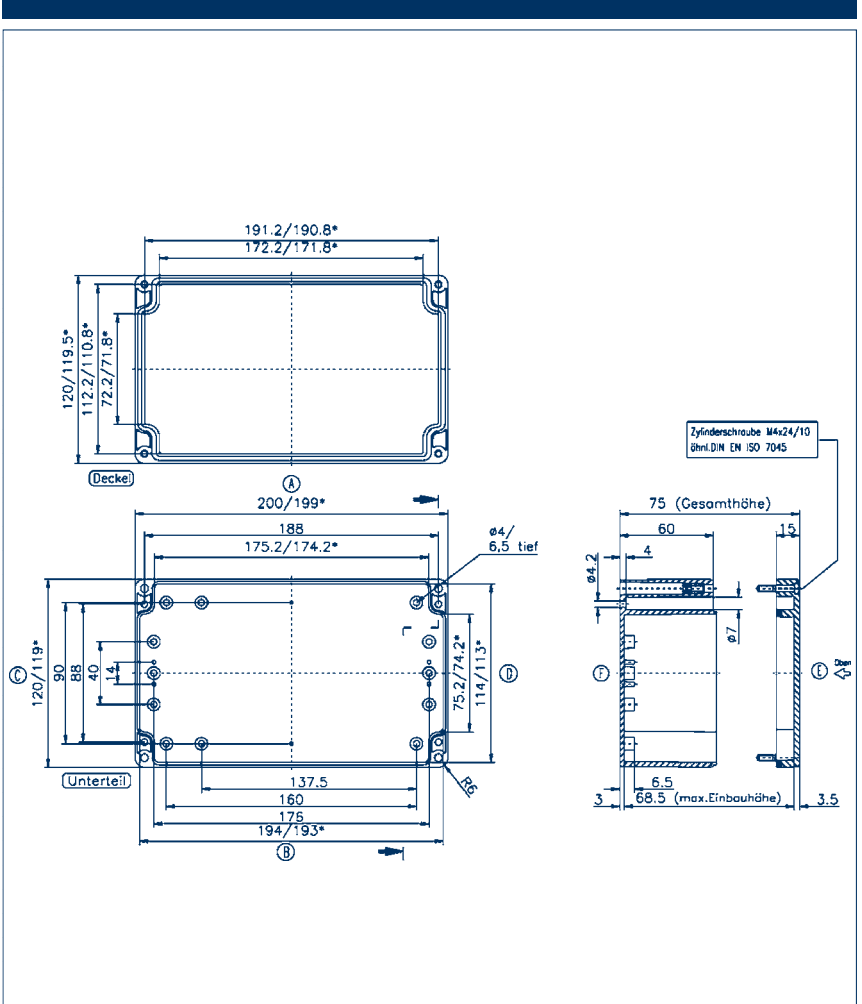


M	A/B	C/D	PG	A/B	C/D
12	30	15	7	30	15
16	14	6	9	20	9
20	12	6	11	12	6
25	5	3	13.5	12	6
32	3	2	16	10	4
40	-	-	21	5	2
50	-	-	29	3	2
63	-	-	36	-	-
			42	-	-
			48	-	-

Accessories

Accessories	Qty.
DIN rail section TS15	TS 15 / 188 mm long
Cat. no.	4508.9
DIN rail section TS35	TS 35 / 188 mm long
Cat. no.	4509.0
Mounting plate MP	MP/M-T/200/12
Cat. no.	4505.6
Wall brackets WL	WL/CM/CT
Cat. no.	4510.2
External joints (pair) AG	AG/CT/CM (pair)
Cat. no.	4510.3

Dimension diagram

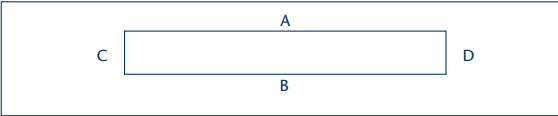


ABS housing CT | Polycarbonate housing CM

CT 200/15 | CM 200/15

Type	Cat. no.	Wt.
CT 200/15	4090.3	424g
CM 200/15	4050.2	456g
CM 200/15/DT	4070.2	540g

Threaded drill hole options

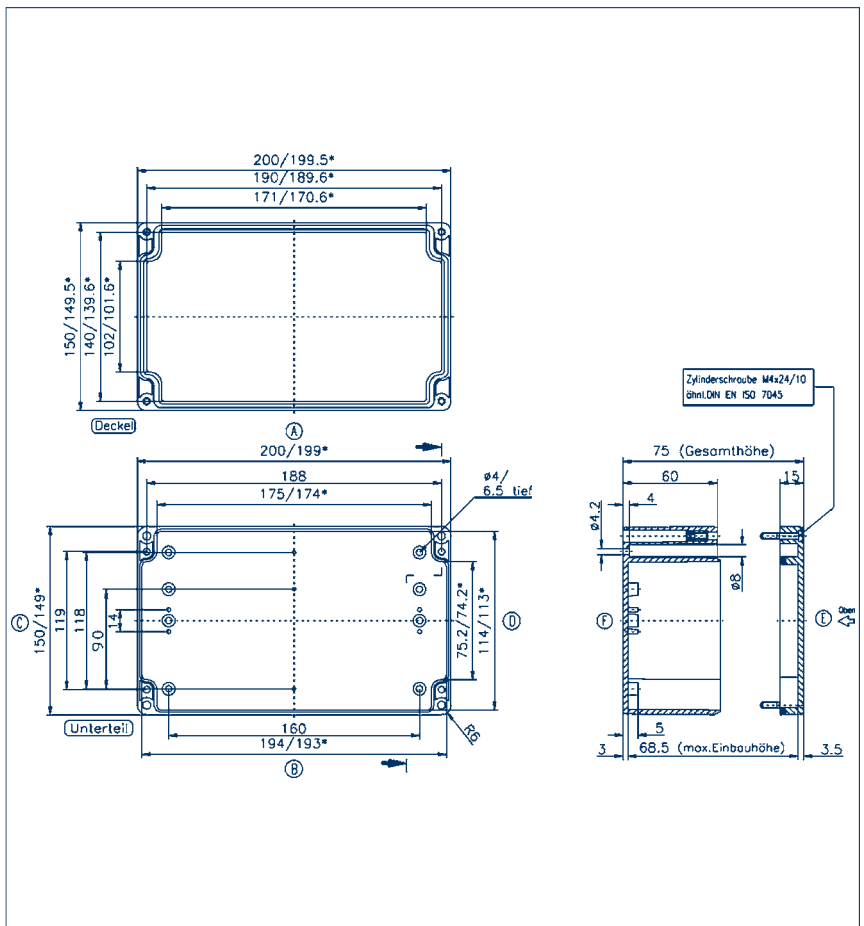


M	A/B	C/D	PG	A/B	C/D
12	30	17	7	30	17
16	14	8	9	20	9
20	12	6	11	14	8
25	5	3	13.5	12	6
32	3	2	16	10	4
40	-	-	21	5	3
50	-	-	29	3	2
63	-	-	36	-	-
			42	-	-
			48	-	-

Accessories

	Qty.
DIN rail section TS15	
Cat. no.	
DIN rail section TS35	TS 35 / 188 mm long
Cat. no.	4509.0
Mounting plate MP	MP/M-T/200/15
Cat. no.	4505.8
Wall brackets WL	WL/CM/CT
Cat. no.	4510.2
External joints (pair) AG	AG/CT/CM (pair)
Cat. no.	4510.3

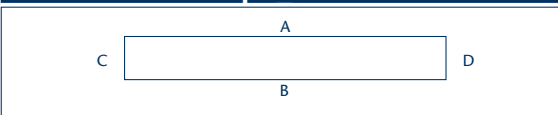
Dimension diagram



CT 240 | CM 240

Type	Cat. no.	Wt.
CT 240	4091.3	560g
CM 240	4051.2	534g
CM 240/DT	4071.2	616g

Threaded drill hole options

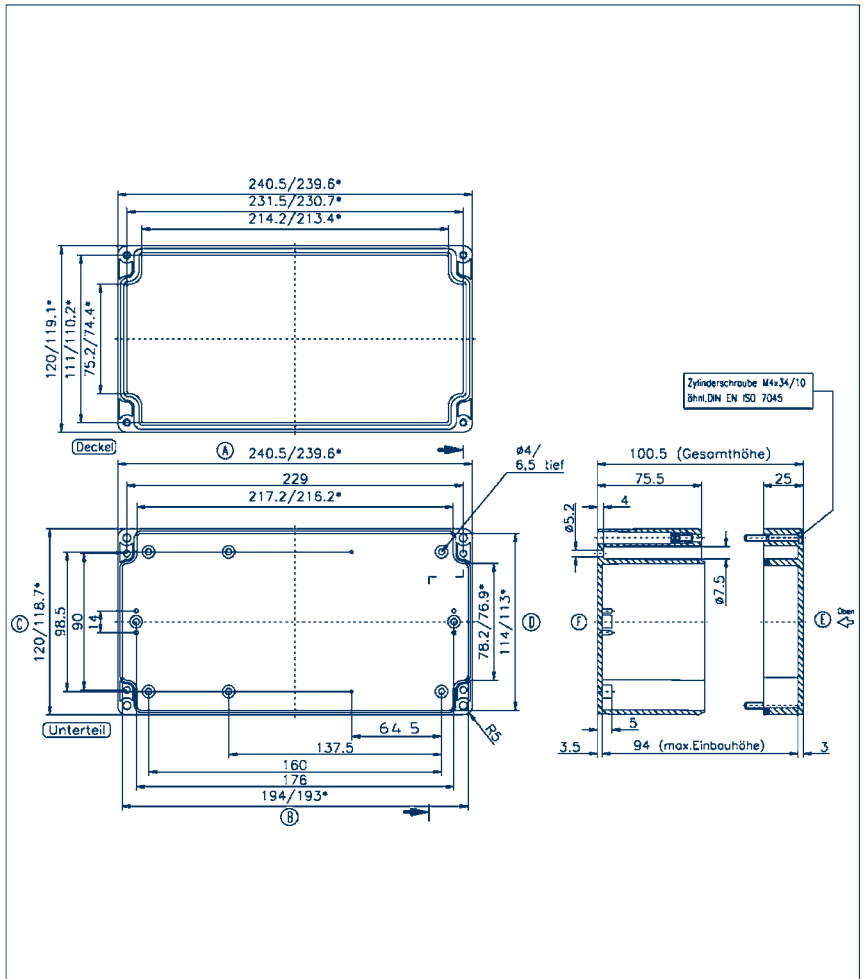


M	A/B	C/D	PG	A/B	C/D
12	48	16	7	48	16
16	24	8	9	30	9
20	17	5	11	21	6
25	10	3	13.5	17	5
32	5	1	16	14	5
40	3	1	21	9	3
50	3	1	29	5	1
63	-	-	36	3	1
			42	-	-
			48	-	-

Accessories

	Qty.
DIN rail section TS15	
Cat. no.	
DIN rail section TS35	TS 35 / 230 mm long
Cat. no.	4509.1
Mounting plate MP	MP/M-T/ 240
Cat. no.	4506.0
Wall brackets WL	WL/CM/CT
Cat. no.	4510.2
External joints (pair) AG	AG/CT/CM (pair)
Cat. no.	4510.3

Dimension diagram

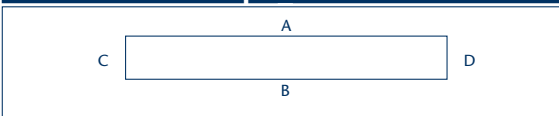


ABS housing CT | Polycarbonate housing CM

CT 240/9 | CM 240/9

Type	Cat. no.	Wt.
CT 240/9	4092.3	547g
CM 240/9	4052.2	594g
CM 240/9/DT	4072.2	770g

Threaded drill hole options

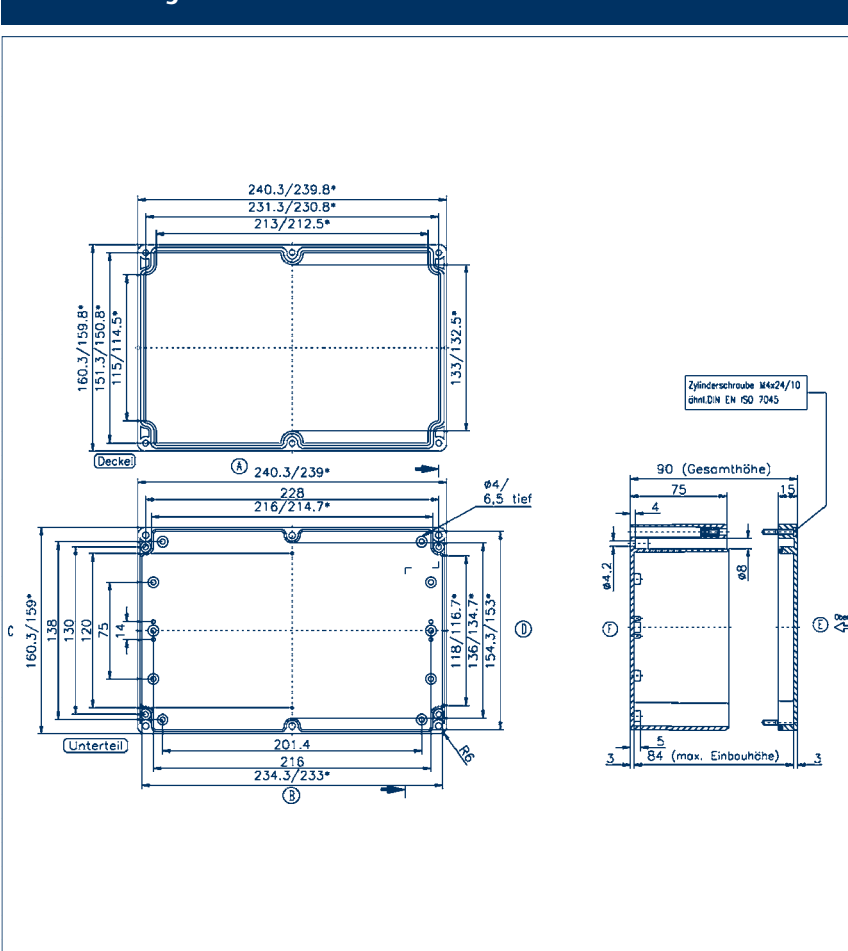


M	A/B	C/D	PG	A/B	C/D
12	40	26	7	40	26
16	18	11	9	24	15
20	12	8	11	16	11
25	8	4	13.5	12	8
32	4	2	16	12	8
40	2	2	21	6	4
50	2	1	29	4	2
63	-	-	36	2	2
			42	-	-
			48	-	-

Accessories

Accessories	Qty.
DIN rail section TS15	
Cat. no.	
DIN rail section TS35	TS 35/230 mm long
Cat. no.	4509.1
Mounting plate MP	MP/M-T/ 240
Cat. no.	4506.0
Wall brackets WL	WL/CM/CT
Cat. no.	4510.2
External joints (pair) AG	AG/CT/CM (pair)
Cat. no.	4510.3

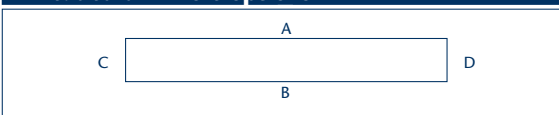
Dimension diagram



CT 240/12 | CM 240/12

Type	Cat. no.	Wt.
CT 240/12	4093.3	666g
CM 240/12	4053.2	780g
CM 240/12/DT	4073.2	917g

Threaded drill hole options

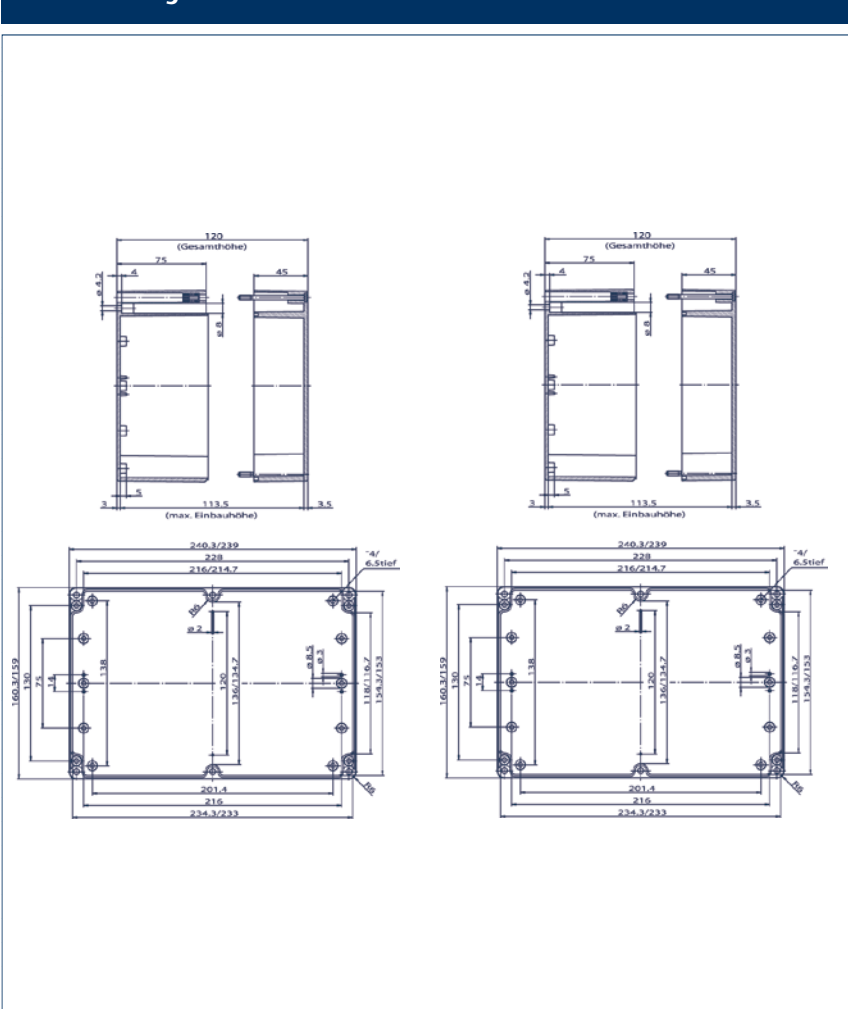


M	A/B	C/D	PG	A/B	C/D
12	40	26	7	40	26
16	22	12	9	24	15
20	16	9	11	18	12
25	8	5	13.5	16	9
32	4	3	16	12	8
40	2	2	21	8	5
50	2	1	29	4	2
63	-	-	36	2	2
			42	-	-
			48	-	-

Accessories

Accessories	Qty.
DIN rail section TS15	
Cat. no.	
DIN rail section TS35	TS 35/230 mm long
Cat. no.	4509.1
Mounting plate MP	MP/M-T/ 240
Cat. no.	4506.0
Wall brackets WL	WL/CM/CT
Cat. no.	4510.2
External joints (pair) AG	AG/CT/CM (pair)
Cat. no.	4510.3

Dimension diagram



ABS housing CT | Polycarbonate housing CM

Accessories

Mounting plate



Material: Hard laminated paper
Colour: brown

Type	Cat. no.	Qty.	Housing Type
MP/M-T/52	4504.6	1	CT/CM 52
MP/M-T/82	4504.8	1	CT/CM 82
MP/M-T/120	4505.0	1	CT/CM 120
MP/M-T/160	4505.2	1	CT/CM 160
MP/M-T/122	4505.4	1	CT/CM 122
MP/M-T/200/12	4505.6	1	CT/CM 200/12
MP/M-T/200/15	4505.8	1	CT/CM 200/15
MP/M-T/240	4506.0	1	CT/CM 240

DIN rail TS35



Material: Galvanized steel

Type	Cat. no.	Qty.	Housing Type
TS 35 / 112 mm long	4508.8	1	CT/CM 122
TS 35 / 188 mm long	4509.0	1	CT/CM 200
TS 35 / 230 mm long	4509.1	1	CT/CM 240

DIN rail TS15



Material: Galvanized steel

Type	Cat. no.	Qty.	Housing Type
TS 15 / 68 mm long	4507.8	1	CT/CM82
TS 15 / 110 mm long	4510.8	1	CT/CM 120, CT/CM 122
TS 15 / 144 mm long	4508.7	1	CT/CM 160
TS 15 / 188 mm long	4508.9	1	CT/CM 200/12

External joint AG



Material: Polycarbonate
Colour: grey, similar to RAL 7035

Type	Cat. no.	Qty.	Housing Type
AG/CT/CM (pair)	4510.3	1	All CT/CM housings

External joint kit for converting the housing cover to a hinged door: including 2 hinges, mounting screws and cover plugs

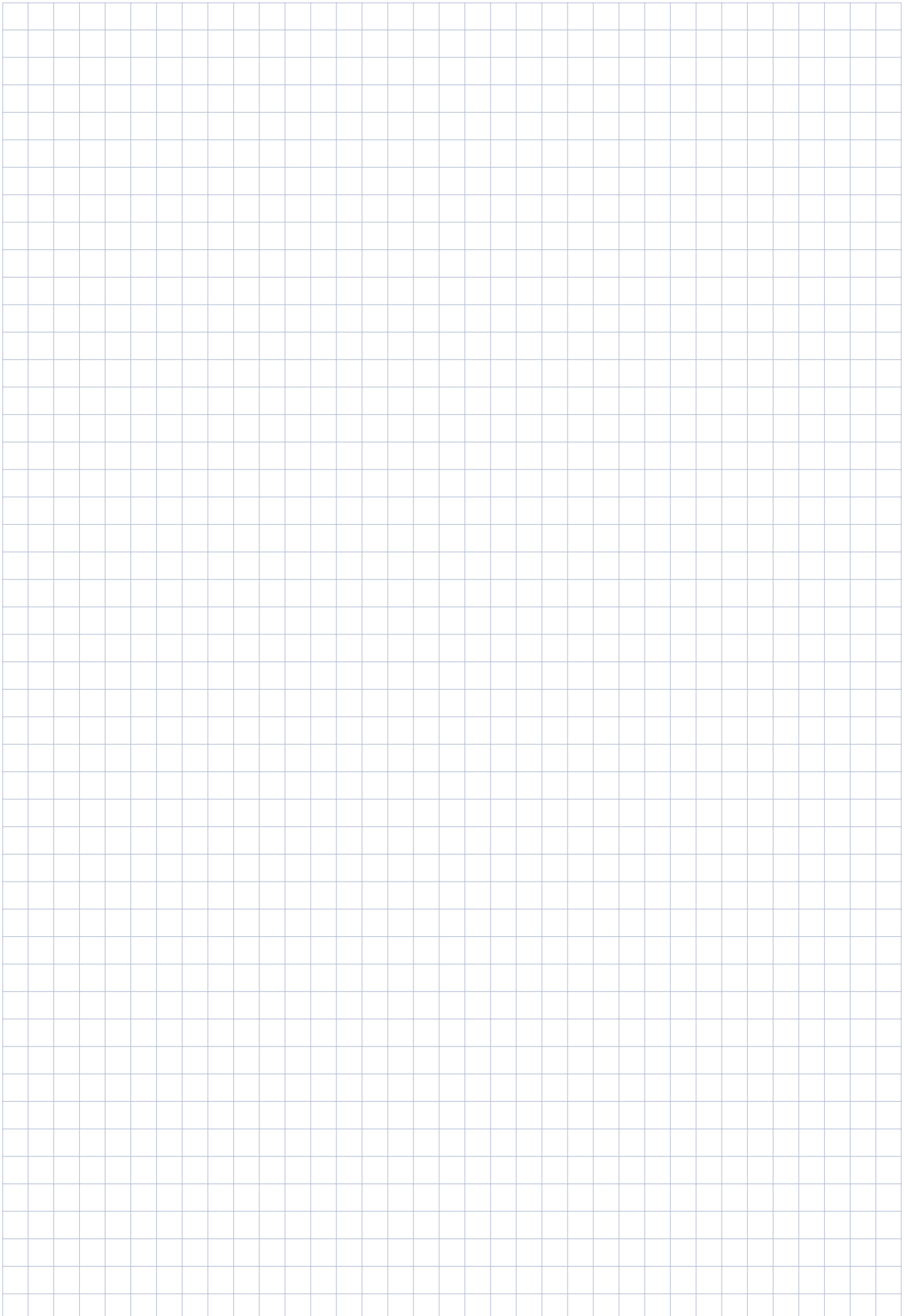
Wall brackets WL



Material: Polycarbonate
Colour: grey, similar to RAL 7035

Type	Cat. no.	Qty.	Housing Type
WL/CM/CT	4510.2		All CT/CM housings

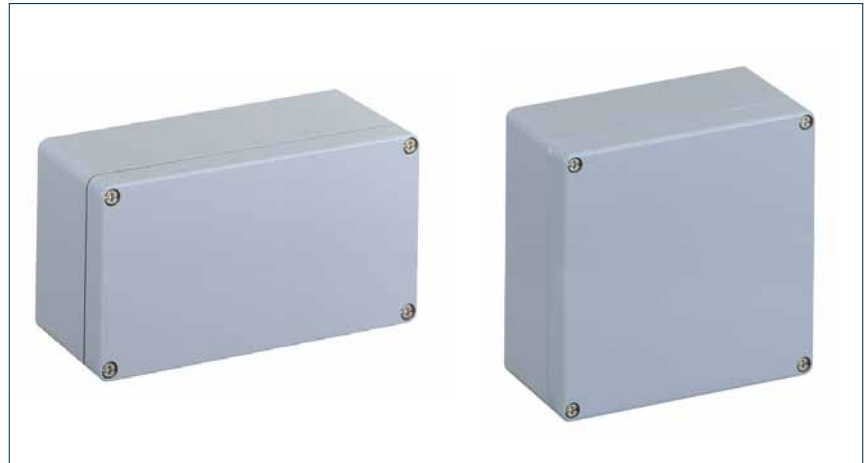
Wall bracket set made of plastic: set = 4 pieces



Aluminium housing CA

Aluminium housing CA

- 17 basic housings with different cover heights
- Material: Aluminium AL SI 12
- Power-varnish coating protects against corrosion
- Effective protection against electromagnetic interference (EMI) and electrostatic discharge (ESD)
- Smooth side walls
- A comprehensive line of accessories



Technical data

Material
Protection
Toxicity characteristics
Flammability class according to UL 94
Thermal stability
Chemical resistance
Sea water resistance
UV resistance
Colour
Impact resistance

DIN EN 1706 EN AC-AISi 12 (Fe)
IP66
halogen-free/cadmium-free
-
-40°C to +90°C
good
good
very good
silver grey RAL 7001
> 7 Joule, EN50014

Outer dimensions

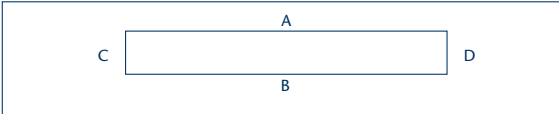
			Dimension diagram
L	B	H	Page
50	45	30	63
58	64	34	63
75	80	57	64
98	64	34	64
122	120	80	65
125	80	57	65
150	64	34	66
160	160	90	66
175	80	57	67
200	230	110	67
220	120	80	68
220	120	90	68
250	80	52	69
260	160	90	69
280	180	100	70
280	230	110	70
330	230	110	71
330	230	180	71
360	160	90	72
360	120	80	72
560	160	90	73

Aluminium		
Type	Cat. no.	
CA 50/30	4000.0	
CA 58/34	4001.0	
CA 75/57	4003.0	
CA 98/34	4002.0	
CA 122/80	4007.0	
CA 125/57	4004.0	
CA 150/34	4005.0	
CA 160/90	4010.0	
CA 175/57	4006.0	
CA 200/110	4016.0	
CA 220/80	4008.0	
CA 220/90	4009.0	
CA 250/52	4014.0	
CA 260/90	4011.0	
CA 280/100	4438.0	
CA 280/110	4017.0	
CA 330/110	4018.0	
CA 330/180	4019.0	
CA 360/80	4015.0	
CA 360/90	4012.0	
CA 560/90	4013.0	

Aluminium housing CA

CA 50/30		
Type	Cat. no.	Wt.
CA 50/30	4000.0	72g

Threaded drill hole options

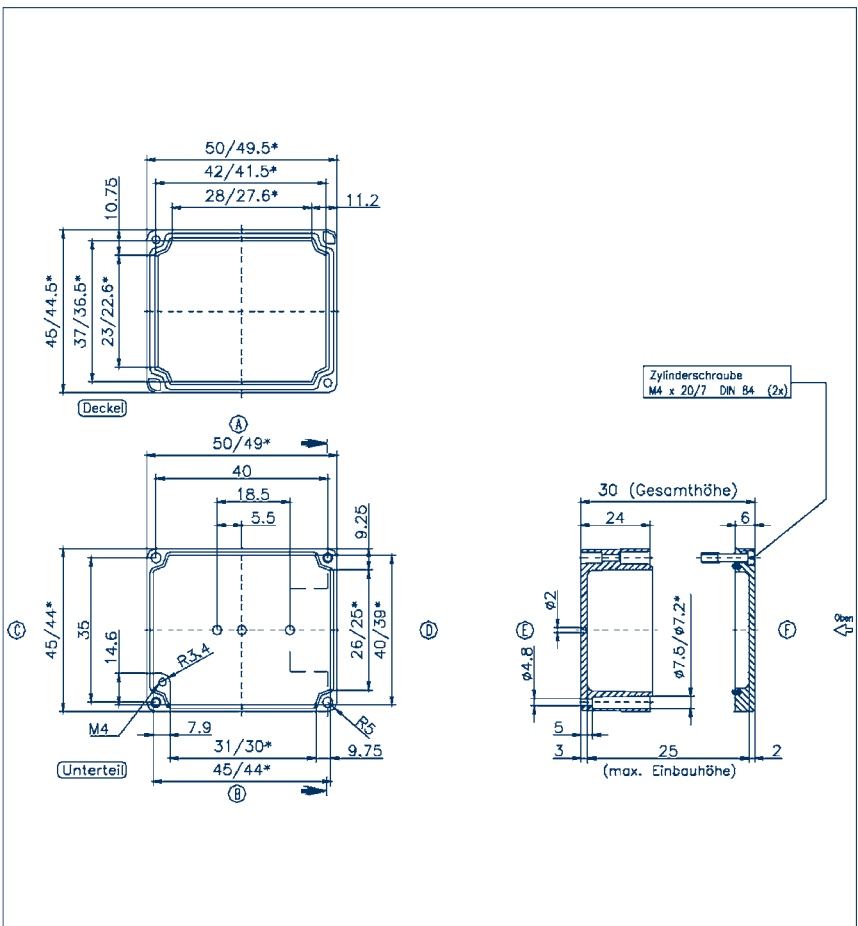


M	A/B	C/D	PG	A/B	C/D
12	2	1	7	2	1
16	-	-	9	1	-
20	-	-	11	-	-
25	-	-	13.5	-	-
32	-	-	16	-	-
40	-	-	21	-	-
50	-	-	29	-	-
63	-	-	36	-	-
			42	-	-
			48	-	-

Accessories Qty.

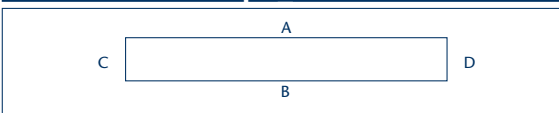
- DIN rail section TS15
Cat. no.
- DIN rail section TS35
Cat. no.
- Mounting screw BS
Cat. no.
- Mounting plate MP
Cat. no.
- Wall brackets WL
Cat. no.
- External joints (pair) AG
Cat. no.

Dimension diagram



CA 58/34		
Type	Cat. no.	Wt.
CA 58/34	4001.0	141g

Threaded drill hole options

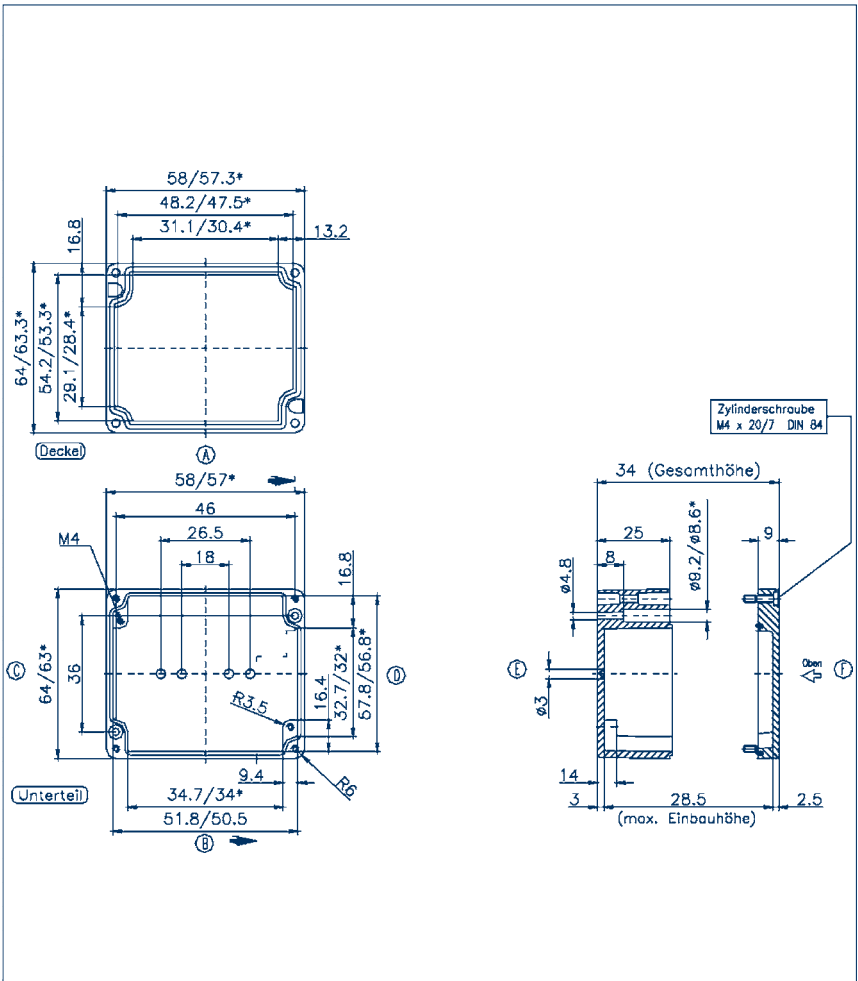


M	A/B	C/D	PG	A/B	C/D
12	2	1	7	2	1
16	-	-	9	1	1
20	-	-	11	-	-
25	-	-	13.5	-	-
32	-	-	16	-	-
40	-	-	21	-	-
50	-	-	29	-	-
63	-	-	36	-	-
			42	-	-
			48	-	-

Accessories Qty.

- DIN rail section TS15
Cat. no.
- DIN rail section TS35
Cat. no.
- Mounting screw BS
Cat. no.
- Mounting plate MP
Cat. no.
- Wall brackets WL
Cat. no.
- External joints (pair) AG
Cat. no.

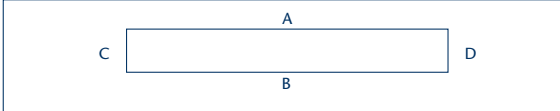
Dimension diagram



Aluminium housing CA

CA 75/57		
Type	Cat. no.	Wt.
CA 75/57	4003.0	301g

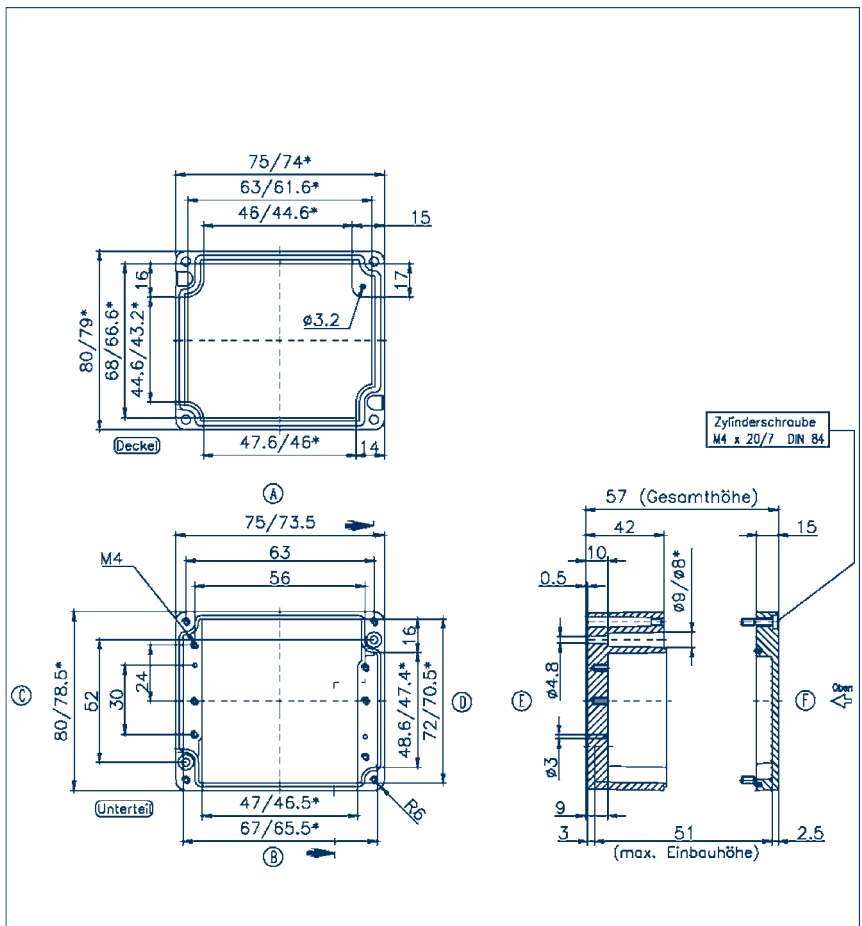
Threaded drill hole options



M	A/B	C/D	PG	A/B	C/D
12	6	5	7	6	5
16	2	2	9	4	2
20	2	2	11	2	2
25	1	-	13.5	2	2
32	-	-	16	1	1
40	-	-	21	1	-
50	-	-	29	-	-
63	-	-	36	-	-
			42	-	-
			48	-	-

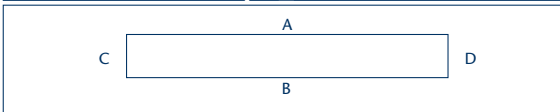
Accessories			Qty.
DIN rail section TS15	TS 15 / 61 mm long		
Cat. no.	4510.7		1
DIN rail section TS35			
Cat. no.			
Mounting screw BS	BS M 4x5		100
Cat. no.	4557.0		
Mounting plate MP	MP/A 75		1
Cat. no.	4500.7		
Wall brackets WL	WL/CP/CA short		1
Cat. no.	4509.3		
External joints (pair) AG			
Cat. no.			

Dimension diagram



CA 98/34		
Type	Cat. no.	Wt.
CA 98/34	4002.0	202g

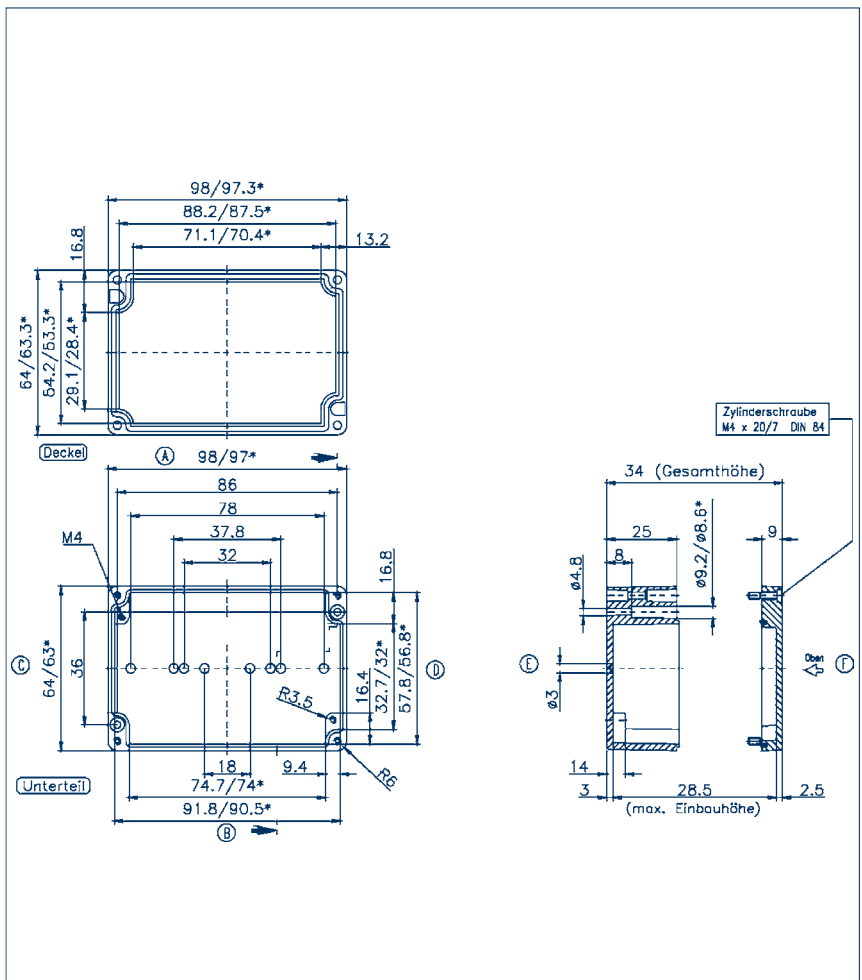
Threaded drill hole options



M	A/B	C/D	PG	A/B	C/D
12	4	1	7	4	1
16	-	-	9	3	1
20	-	-	11	-	-
25	-	-	13.5	-	-
32	-	-	16	-	-
40	-	-	21	-	-
50	-	-	29	-	-
63	-	-	36	-	-
			42	-	-
			48	-	-

Accessories			Qty.
DIN rail section TS15	TS 15 / 87 mm long		
Cat. no.	4559.2		1
DIN rail section TS35			
Cat. no.			
Mounting screw BS	BS M 4x5		100
Cat. no.	4557.0		
Mounting plate MP			
Cat. no.			
Wall brackets WL			
Cat. no.			
External joints (pair) AG			
Cat. no.			

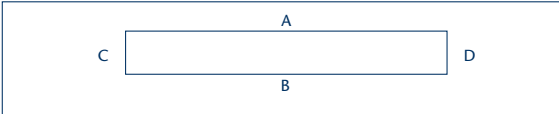
Dimension diagram



Aluminium housing CA

CA 122/80	Type	Cat. no.	Wt.
CA 122/80		4007.0	900g

Threaded drill hole options

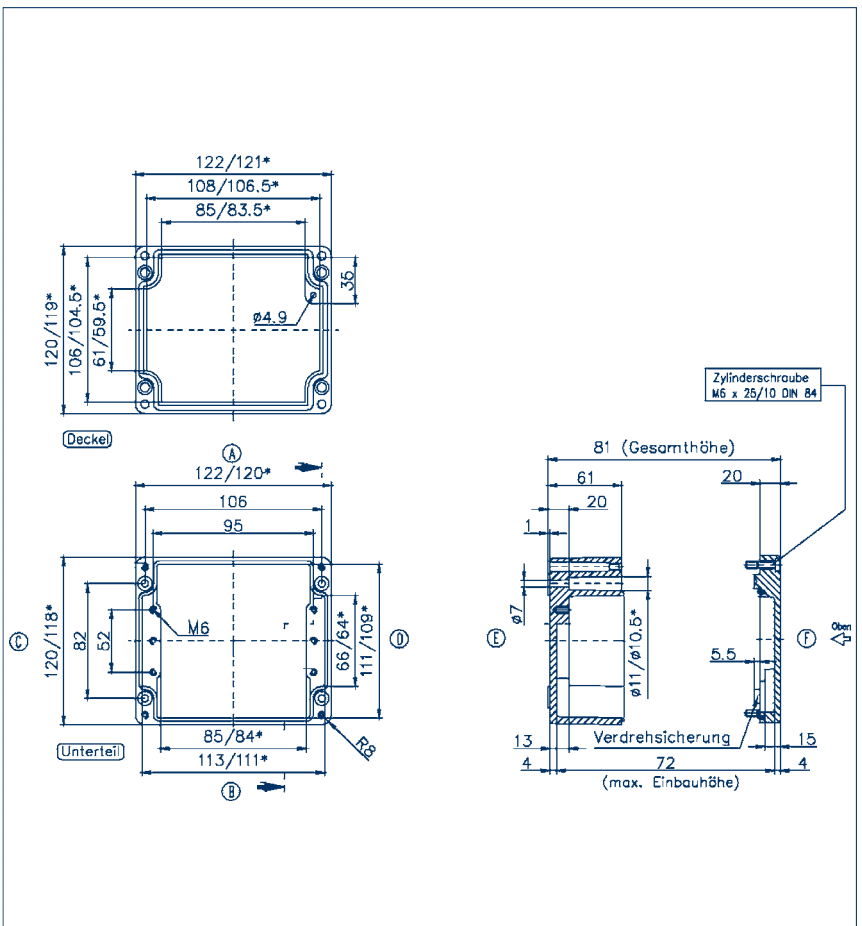


M	A/B	C/D	PG	A/B	C/D
12	16	11	7	16	11
16	8	5	9	11	6
20	6	4	11	6	4
25	3	2	13.5	6	3
32	2	1	16	5	2
40	-	-	21	2	2
50	-	-	29	2	1
63	-	-	36	-	-
			42	-	-
			48	-	-

Accessories Qty.

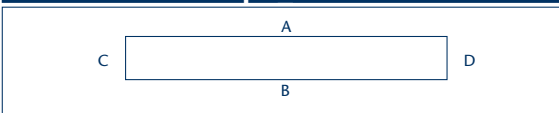
DIN rail section TS15					
Cat. no.					
DIN rail section TS35	TS 35 / 106 mm long				
Cat. no.	4559.5				1
Mounting screw BS	BS M 6x8				
Cat. no.	4558.0				1
Mounting plate MP	MP/A 122				
Cat. no.	4500.5				1
Wall brackets WL	WL/CP/CA long				
Cat. no.	4509.4				1
External joints (pair) AG	AG/CP/CA (pair)				
Cat. no.	4509.6				1

Dimension diagram



CA 125/57	Type	Cat. no.	Wt.
CA 125/57		4004.0	428g

Threaded drill hole options

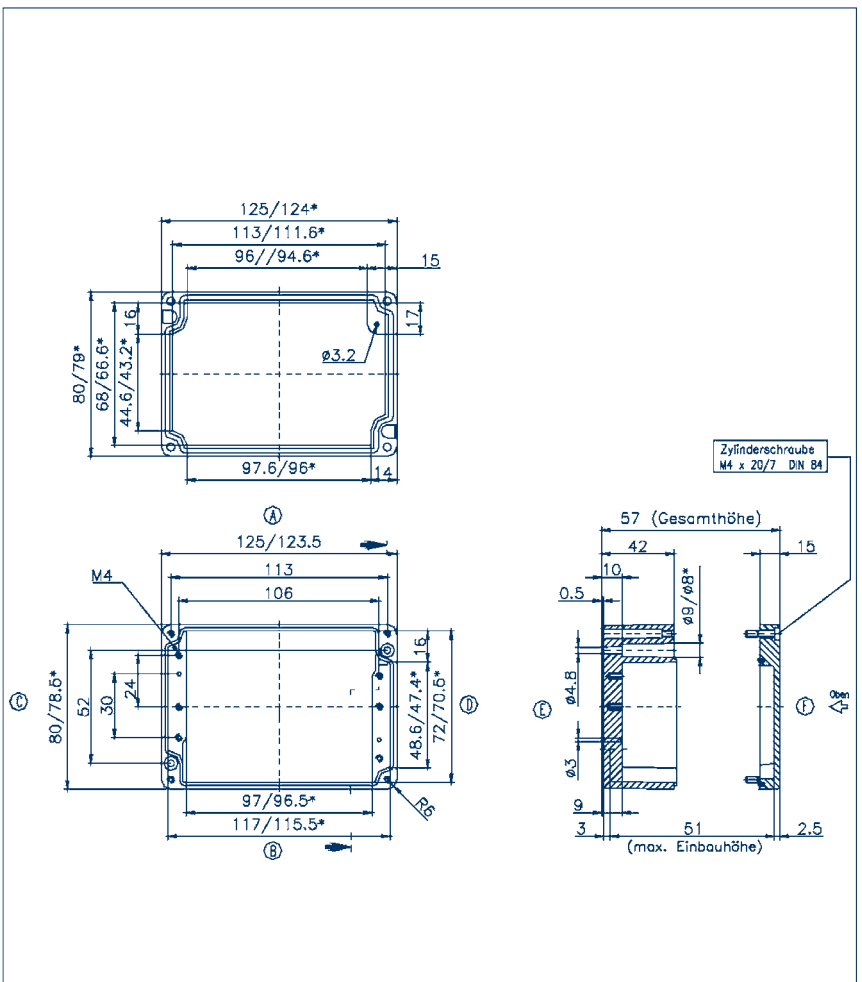


M	A/B	C/D	PG	A/B	C/D
12	12	5	7	12	5
16	5	2	9	8	2
20	4	2	11	5	2
25	3	-	13.5	4	2
32	-	-	16	3	1
40	-	-	21	2	-
50	-	-	29	-	-
63	-	-	36	-	-
			42	-	-
			48	-	-

Accessories Qty.

DIN rail section TS15	TS 15 / 110 mm long				
Cat. no.	4510.8				1
DIN rail section TS35					
Cat. no.					
Mounting screw BS	BS M 4 x 5				
Cat. no.	4557.0				100
Mounting plate MP	MP/A 125				
Cat. no.	4500.9				1
Wall brackets WL	WL/CP/CA short				
Cat. no.	4509.3				1
External joints (pair) AG					
Cat. no.					

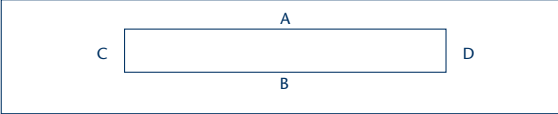
Dimension diagram



Aluminium housing CA

CA 150/34		
Type	Cat. no.	Wt.
CA 150/34	4005.0	264g

Threaded drill hole option



M	A/B	C/D	PG	A/B	C/D
12	8	1	7	8	1
16	-	-	9	6	1
20	-	-	11	-	-
25	-	-	13.5	-	-
32	-	-	16	-	-
40	-	-	21	-	-
50	-	-	29	-	-
63	-	-	36	-	-
			42	-	-
			48	-	-

Accessories Qty.

DIN rail section TS15

Cat. no.

DIN rail section TS35

Cat. no.

Mounting screw BS

Cat. no.

Mounting plate MP

Cat. no.

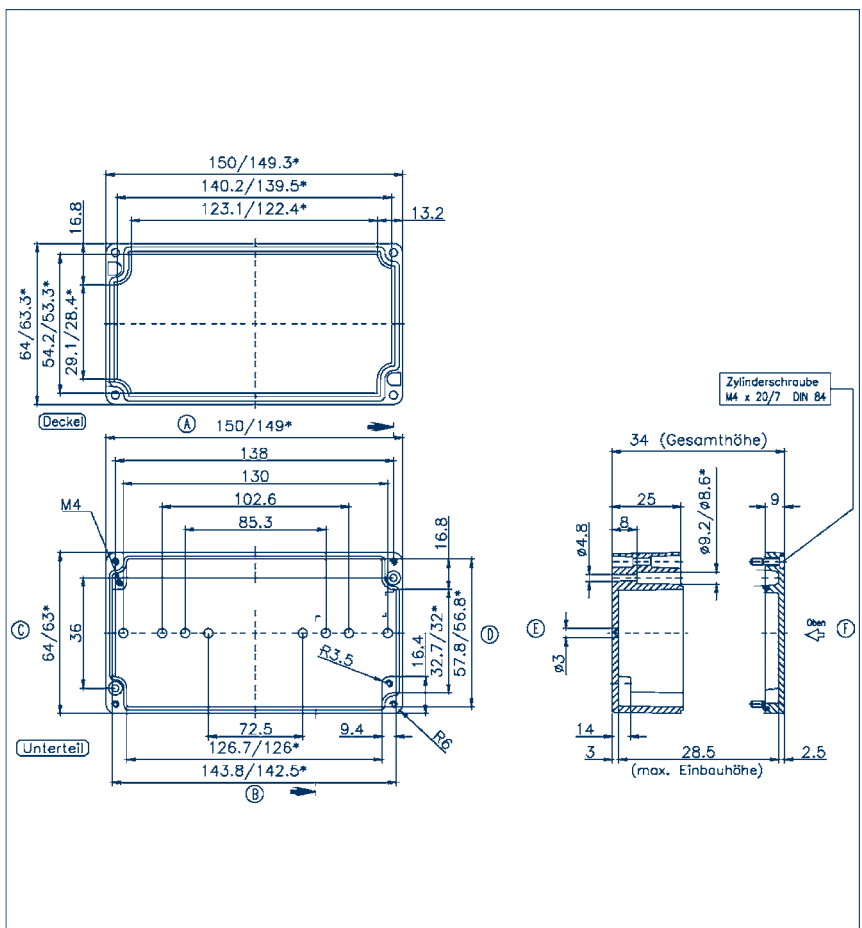
Wall brackets WL

Cat. no.

External joints (pair) AG

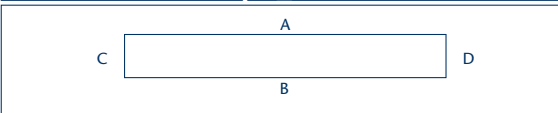
Cat. no.

Dimension diagram



CA 160/90		
Type	Cat. no.	Wt.
CA 160/90	4010.0	1537g

Threaded drill hole options



M	A/B	C/D	PG	A/B	C/D
12	26	16	7	26	16
16	12	8	9	15	11
20	9	6	11	12	6
25	5	3	13.5	9	6
32	3	2	16	8	5
40	2	1	21	5	3
50	2	-	29	2	2
63	-	-	36	2	1
			42	1	-
			48	-	-

Accessories Qty.

DIN rail section TS15

Cat. no.

DIN rail section TS35 TS 35 / 144 mm long

Cat. no. 4507.4

Mounting screw BS

Cat. no. BS M 6x8

Mounting plate MP

Cat. no. MP/A 160

Wall brackets WL

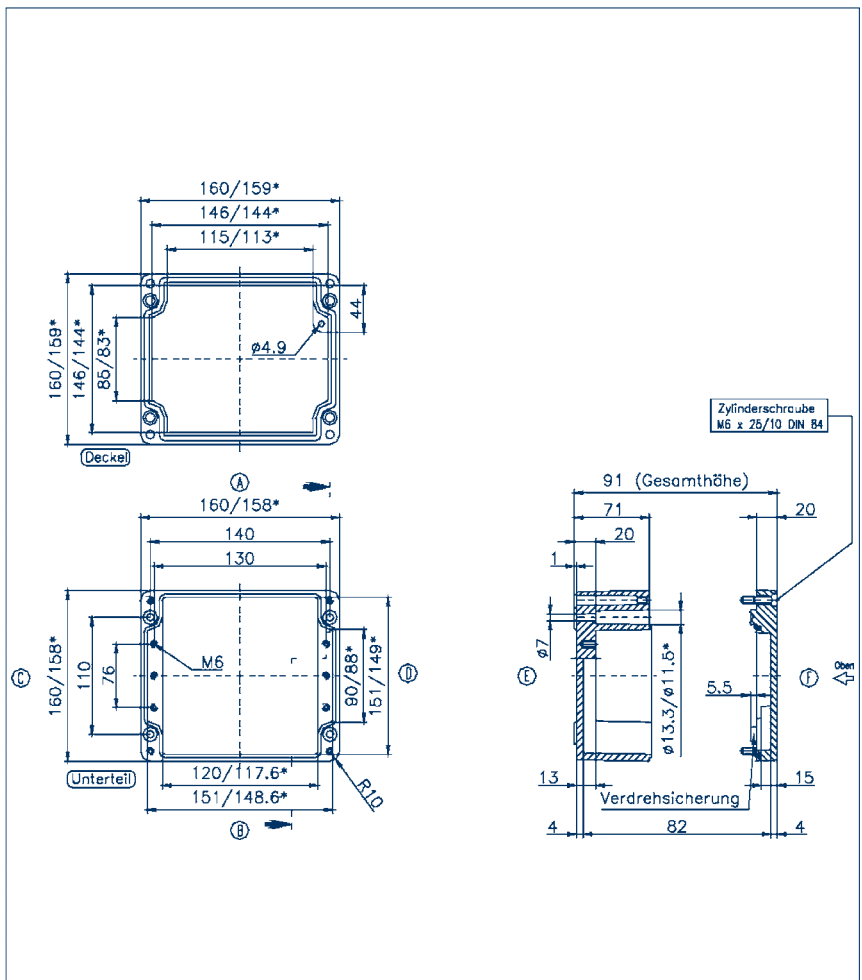
Cat. no. WL/CP/CA long

External joints (pair) AG

Cat. no. AG/CP/CA (pair)

Cat. no. 4509.6

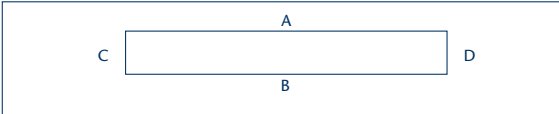
Dimension diagram



Aluminium housing CA

CA 175/57	Type	Cat. no.	Wt.
CA 175/57		4006.0	553g

Threaded drill hole options

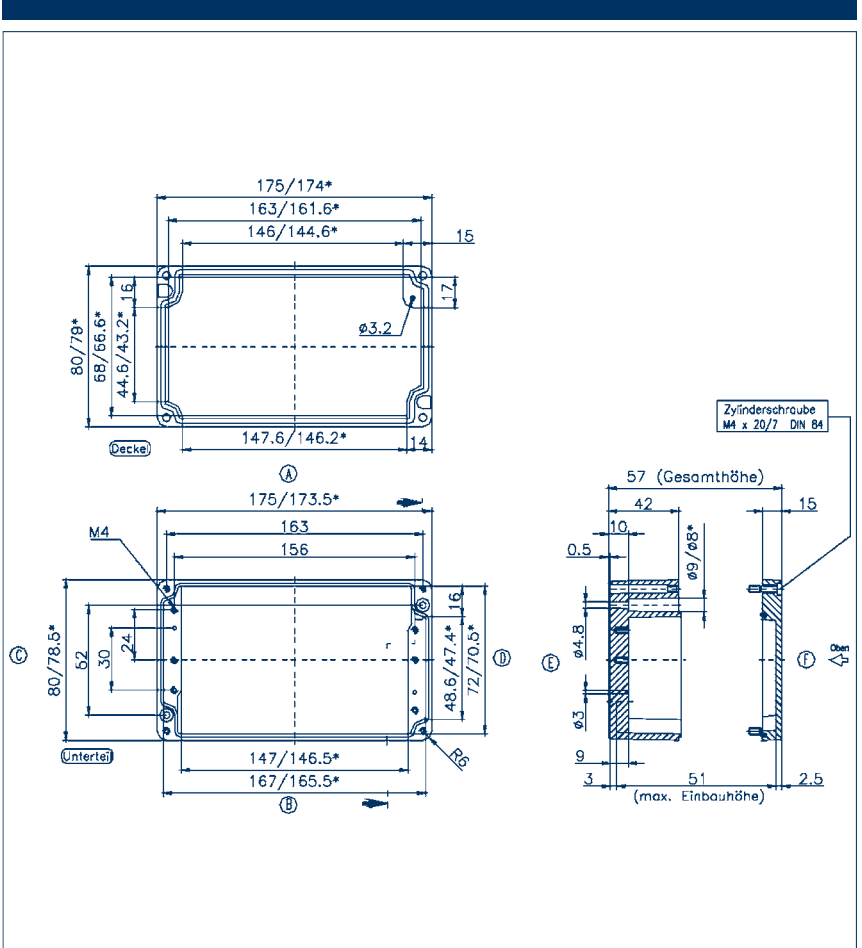


M	A/B	C/D	PG	A/B	C/D
12	17	5	7	17	5
16	7	2	9	11	2
20	6	2	11	7	2
25	4	-	13.5	6	2
32	-	-	16	5	1
40	-	-	21	4	-
50	-	-	29	-	-
63	-	-	36	-	-
			42	-	-
			48	-	-

Accessories Qty.

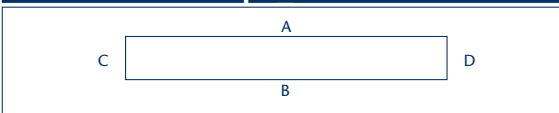
DIN rail section TS15	TS 15 / 160 mm long		
Cat. no.	4507.0	1	
DIN rail section TS35	TS 35 / 160 mm long		
Cat. no.	4510.9	1	
Mounting screw BS	BS M 4x5		
Cat. no.	4557.0	1	
Mounting plate MP	MP/A 175		
Cat. no.	4501.3	1	
Wall brackets WL	WL/CP/CA short		
Cat. no.	4509.3	1	
External joints (pair) AG			
Cat. no.			

Dimension diagram



CA 200/110	Type	Cat. no.	Wt.
CA 200/110		4016.0	2522g

Threaded drill hole options

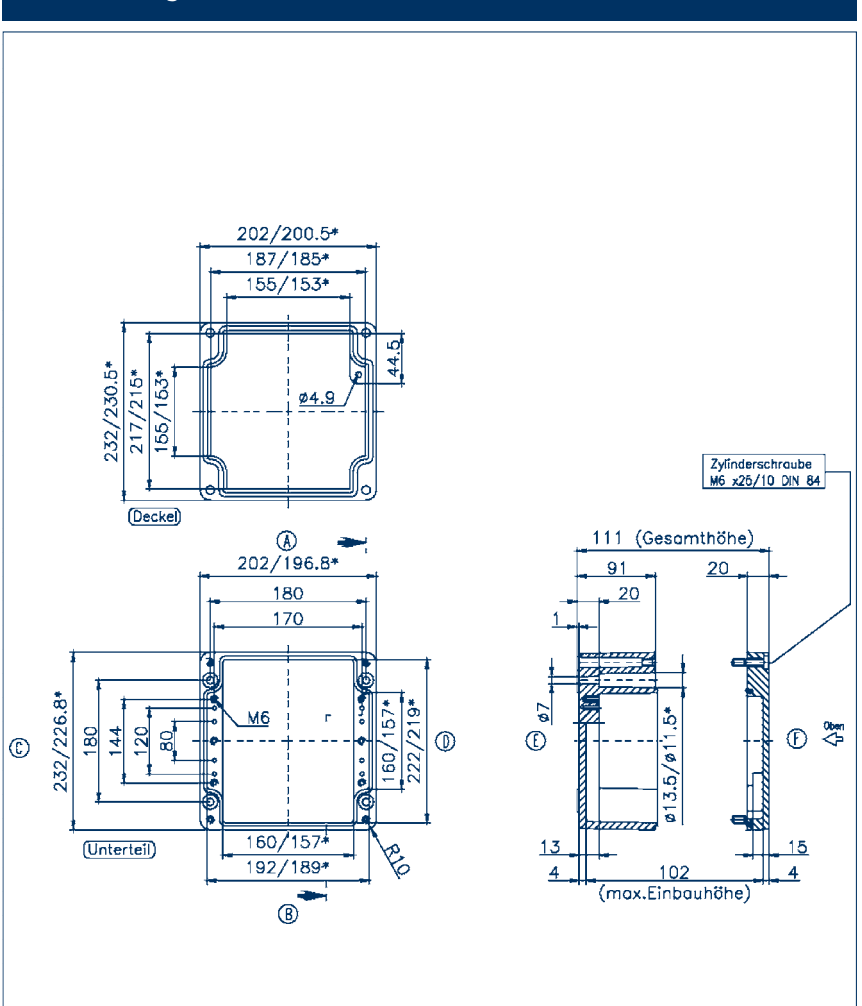


M	A/B	C/D	PG	A/B	C/D
12	45	45	7	45	45
16	22	18	9	28	28
20	18	17	11	20	18
25	8	8	13.5	18	17
32	6	5	16	15	12
40	3	3	21	8	8
50	2	2	29	5	4
63	2	2	36	3	3
			42	2	2
			48	2	2

Accessories Qty.

DIN rail section TS15			
Cat. no.			
DIN rail section TS35	TS 35 / 186 mm long		
Cat. no.	4560.1	1	
Mounting screw BS	BS M 6x8		
Cat. no.	4558.0	100	
Mounting plate MP	MP/A 203		
Cat. no.	4512.6	1	
Wall brackets WL	WL/CP/CA long		
Cat. no.	4509.4	1	
External joints (pair) AG	AG/CP/CA (pair)		
Cat. no.	4509.6	1	

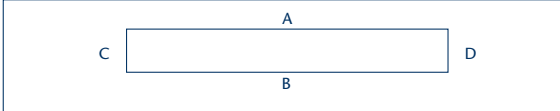
Dimension diagram



Aluminium housing CA

CA 220/80	Type	Cat. no.	Wt.
CA 220/80		4008.0	1328g

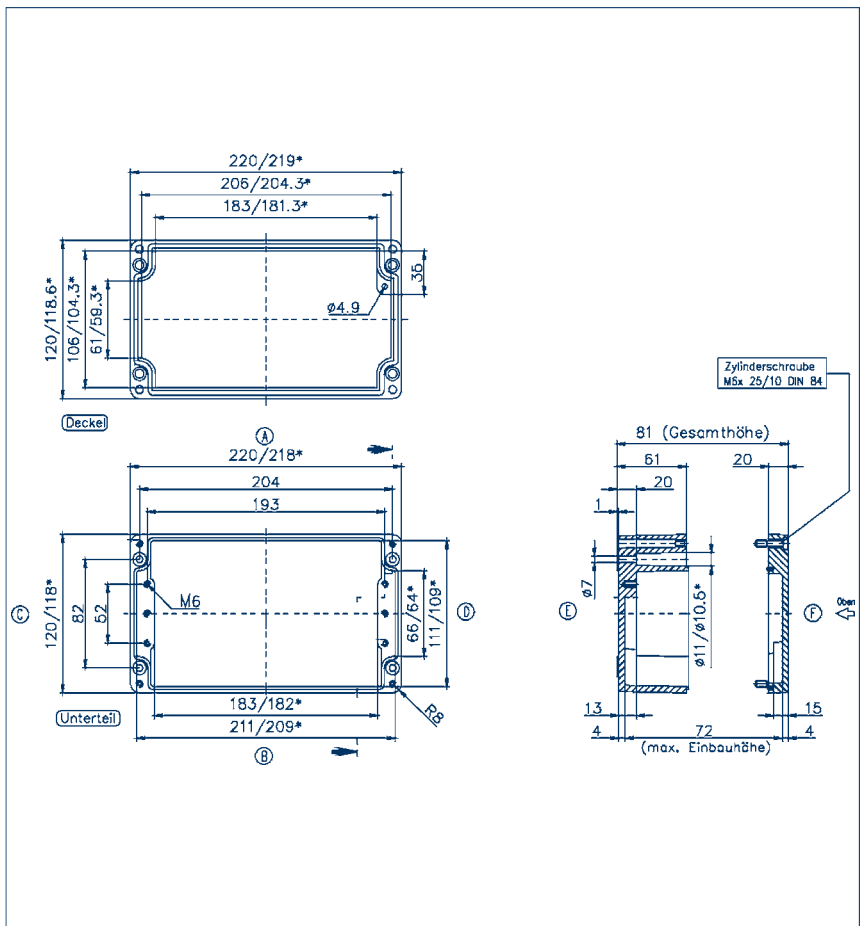
Threaded drill hole options



M	A/B	C/D	PG	A/B	C/D
12	34	11	7	34	11
16	15	6	9	24	6
20	14	4	11	15	4
25	6	2	13.5	14	4
32	4	1	16	11	2
40	-	-	21	6	2
50	-	-	29	4	1
63	-	-	36	-	-
			42	-	-
			48	-	-

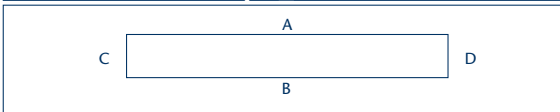
Accessories	Qty.
DIN rail section TS15	
Cat. no.	
DIN rail section TS35	TS 35 / 208 mm long
Cat. no.	4507.3
Mounting screw BS	BS M 6x8
Cat. no.	4558.0
Mounting plate MP	MP/A 220
Cat. no.	4501.7
Wall brackets WL	WL/CP/CA long
Cat. no.	4509.4
External joints (pair) AG	AG/CP/CA (pair)
Cat. no.	4509.6

Dimension diagram



CA 220/90	Type	Cat. no.	Wt.
CA 220/90		4009.0	1422g

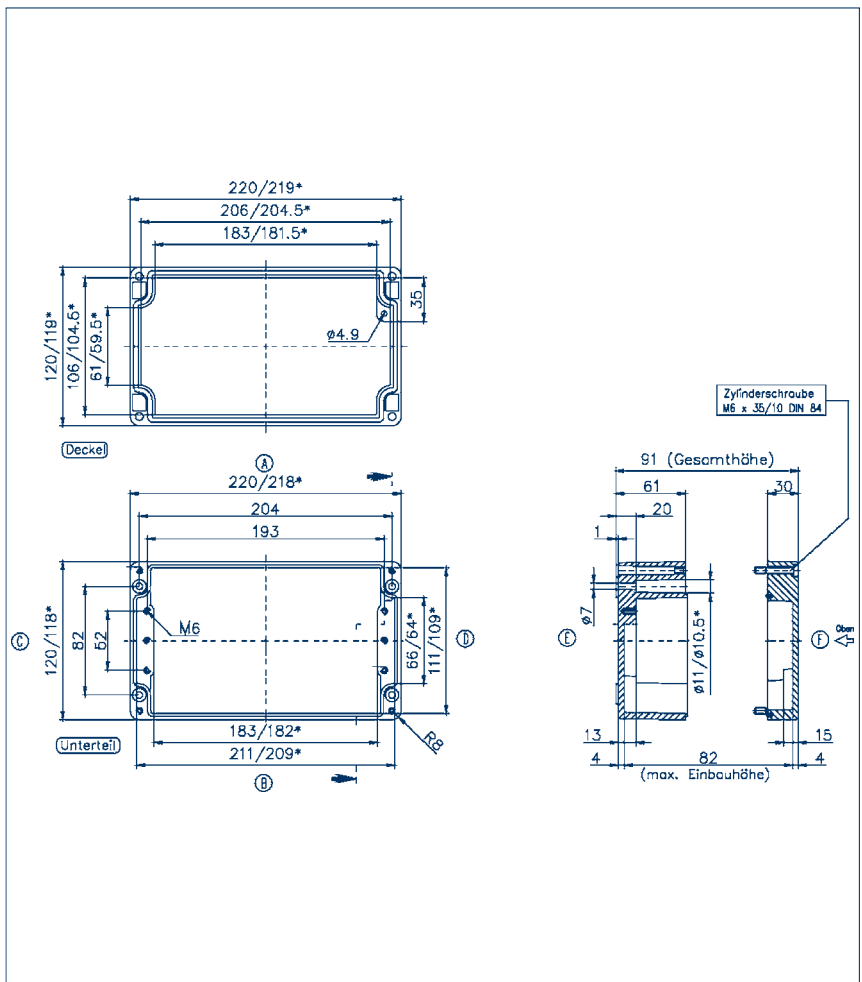
Threaded drill hole options



M	A/B	C/D	PG	A/B	C/D
12	34	11	7	34	11
16	15	6	9	24	6
20	14	4	11	15	4
25	6	2	13.5	14	4
32	4	1	16	11	2
40	-	-	21	6	2
50	-	-	29	4	1
63	-	-	36	-	-
			42	-	-
			48	-	-

Accessories	Qty.
DIN rail section TS15	
Cat. no.	
DIN rail section TS35	TS 35 / 208 mm long
Cat. no.	4507.3
Mounting screw BS	BS M 6x8
Cat. no.	4558.0
Mounting plate MP	MP/A 220
Cat. no.	4501.7
Wall brackets WL	WL/CP/CA long
Cat. no.	4509.4
External joints (pair) AG	AG/CP/CA (pair)
Cat. no.	4509.6

Dimension diagram



Aluminium housing CA

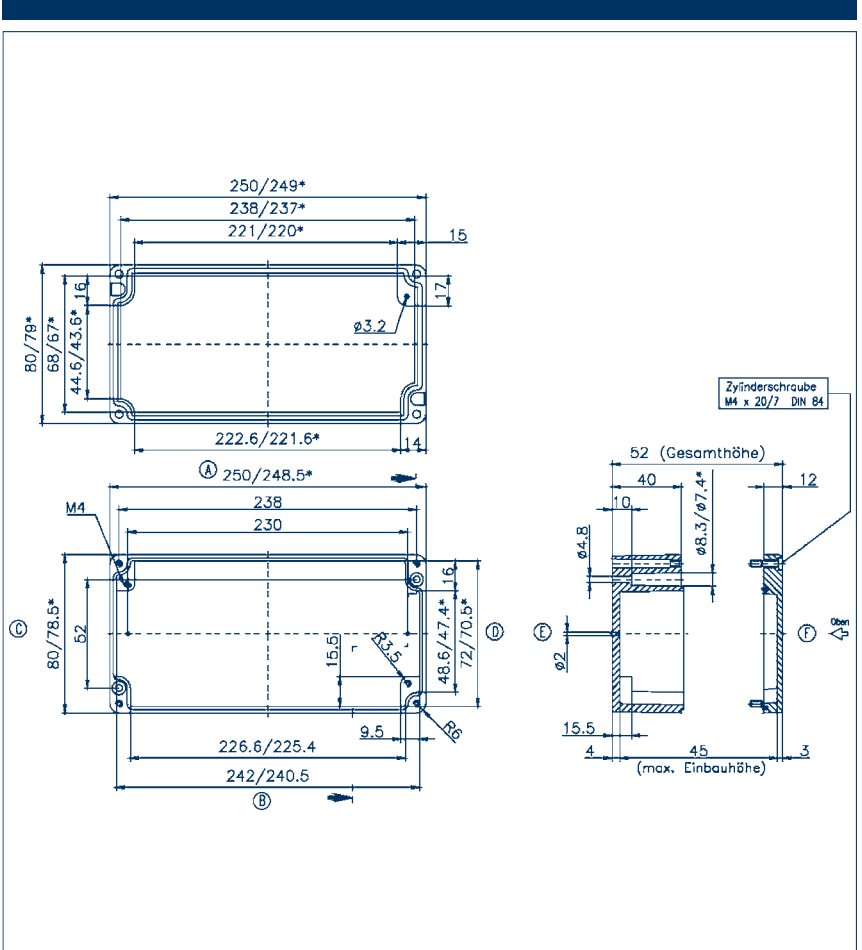
CA 250/52	Type	Cat. no.	Wt.
CA 250/52		4014.0	727g

Threaded drill hole options

M	A/B	C/D	PG	A/B	C/D
12	26	6	7	26	6
16	10	2	9	17	3
20	9	2	11	10	2
25	6	1	13.5	9	2
32	-	-	16	7	1
40	-	-	21	4	1
50	-	-	29	-	-
63	-	-	36	-	-
			42	-	-
			48	-	-

Accessories	Qty.
DIN rail section TS15	
Cat. no.	
DIN rail section TS35	
Cat. no.	
Mounting screw BS	
Cat. no.	
Mounting plate MP	
Cat. no.	
Wall brackets WL	
Cat. no.	
External joints (pair) AG	
Cat. no.	

Dimension diagram



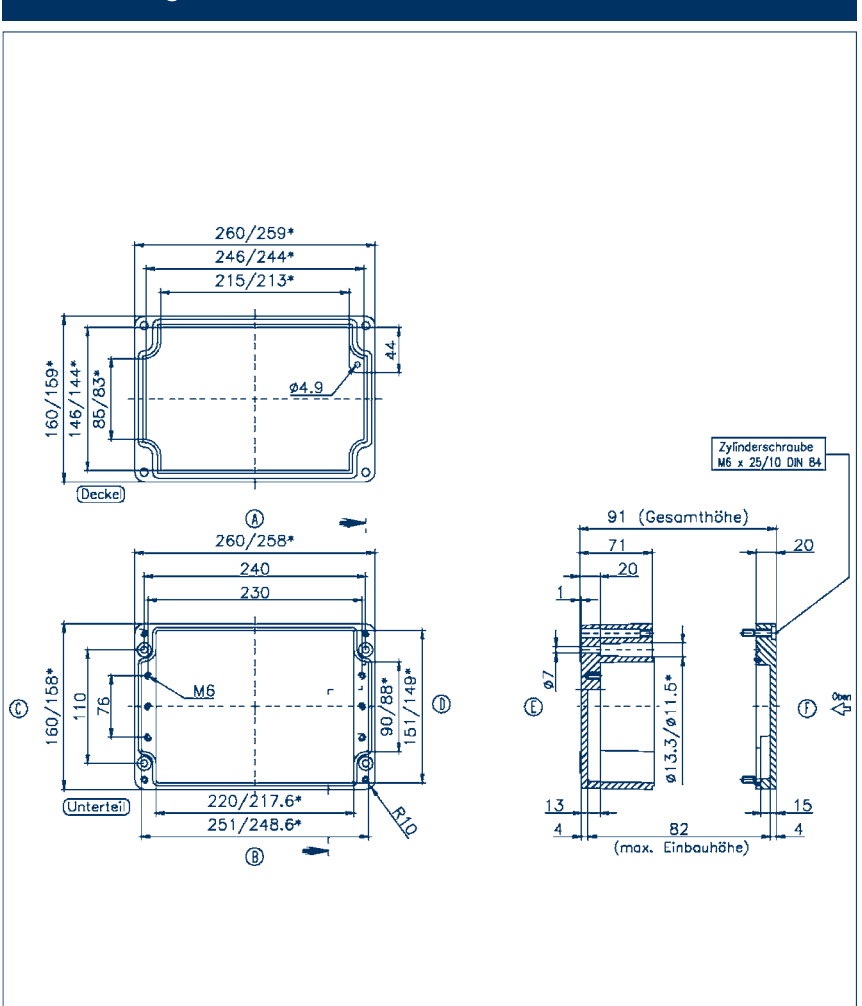
CA 260/90	Type	Cat. no.	Wt.
CA 260/90		4011.0	2053g

Threaded drill hole options

M	A/B	C/D	PG	A/B	C/D
12	50	16	7	50	16
16	24	8	9	30	11
20	17	6	11	23	6
25	10	3	13.5	17	6
32	5	2	16	14	5
40	3	1	21	9	3
50	3	-	29	5	2
63	-	-	36	3	1
			42	3	-
			48	-	-

Accessories	Qty.
DIN rail section TS15	
Cat. no.	
DIN rail section TS35	TS 35 / 248 mm long
Cat. no.	4507.5
Mounting screw BS	BS M 6 x 8
Cat. no.	4558.0
Mounting plate MP	MP/A 260
Cat. no.	4502.1
Wall brackets WL	WL/CP/CA long
Cat. no.	4509.4
External joints (pair) AG	AG/CP/CA (pair)
Cat. no.	4509.6

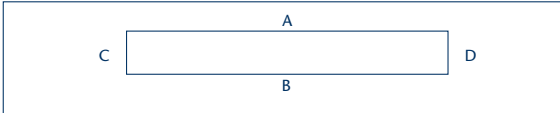
Dimension diagram



Aluminium housing CA

CA 280/100	Type	Cat. no.	Wt.
CA 280/100		4438.0	2468g

Threaded drill hole options

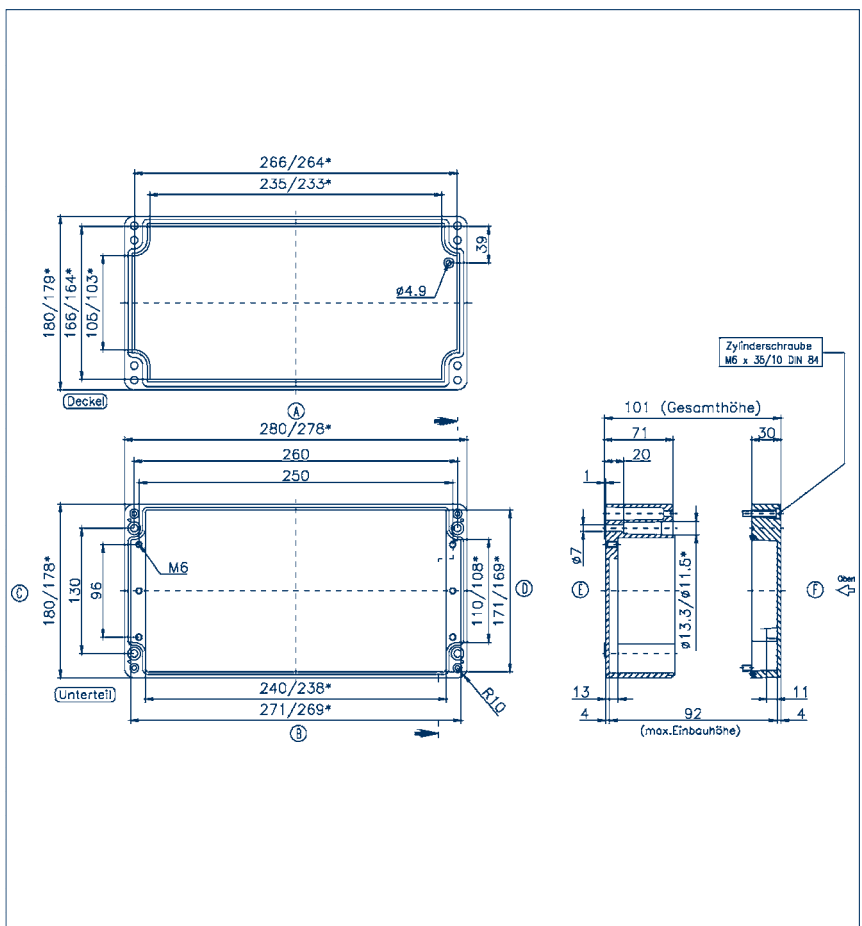


M	A/B	C/D	PG	A/B	C/D
12	52	22	7	52	22
16	26	10	9	33	15
20	18	8	11	23	10
25	11	4	13.5	18	8
32	5	2	16	14	7
40	4	2	21	10	4
50	3	-	29	5	2
63	-	-	36	4	2
			42	3	-
			48	-	-

Accessories Qty.

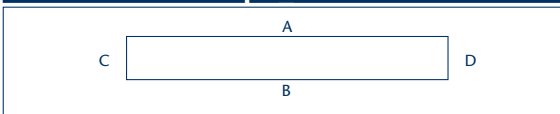
DIN rail section TS15			
Cat. no.			
DIN rail section TS35	TS 35 / 264 mm long		
Cat. no.	4570.0	1	
Mounting screw BS	BS M 6x8		
Cat. no.	4558.0	100	
Mounting plate MP	MP/A 280		
Cat. no.	4571.0	1	
Wall brackets WL	WL/CP/CA long		
Cat. no.	4509.4	1	
External joints (pair) AG	AG/CP/CA (pair)		
Cat. no.	4509.6	1	

Dimension diagram



CA 280/110	Type	Cat. no.	Wt.
CA 280/110		4017.0	3030g

Threaded drill hole options

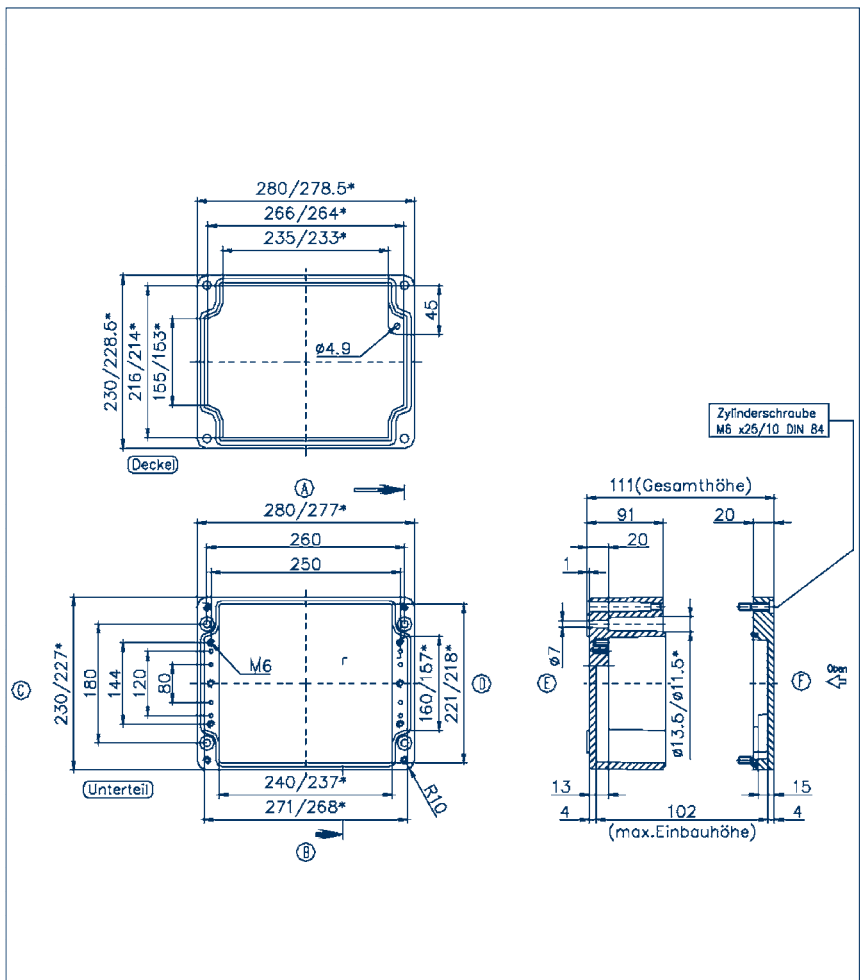


M	A/B	C/D	PG	A/B	C/D
12	70	45	7	68	45
16	32	18	9	44	28
20	24	17	11	32	18
25	12	8	13.5	24	17
32	9	5	16	21	12
40	4	3	21	12	8
50	3	2	29	9	4
63	3	2	36	4	3
			42	3	2
			48	3	2

Accessories Qty.

DIN rail section TS15			
Cat. no.			
DIN rail section TS35	TS 35 / 264 mm long		
Cat. no.	4570.0	1	
Mounting screw BS	BS M 6x8		
Cat. no.	4558.0	100	
Mounting plate MP	MP/A 2823		
Cat. no.	4512.7	1	
Wall brackets WL	WL/CP/CA long		
Cat. no.	4509.4	1	
External joints (pair) AG	AG/CP/CA (pair)		
Cat. no.	4509.6	1	

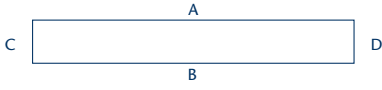
Dimension diagram



Aluminium housing CA

CA 330/110	Type	Cat. no.	Wt.
CA 330/110		4018.0	3655g

Threaded drill hole options

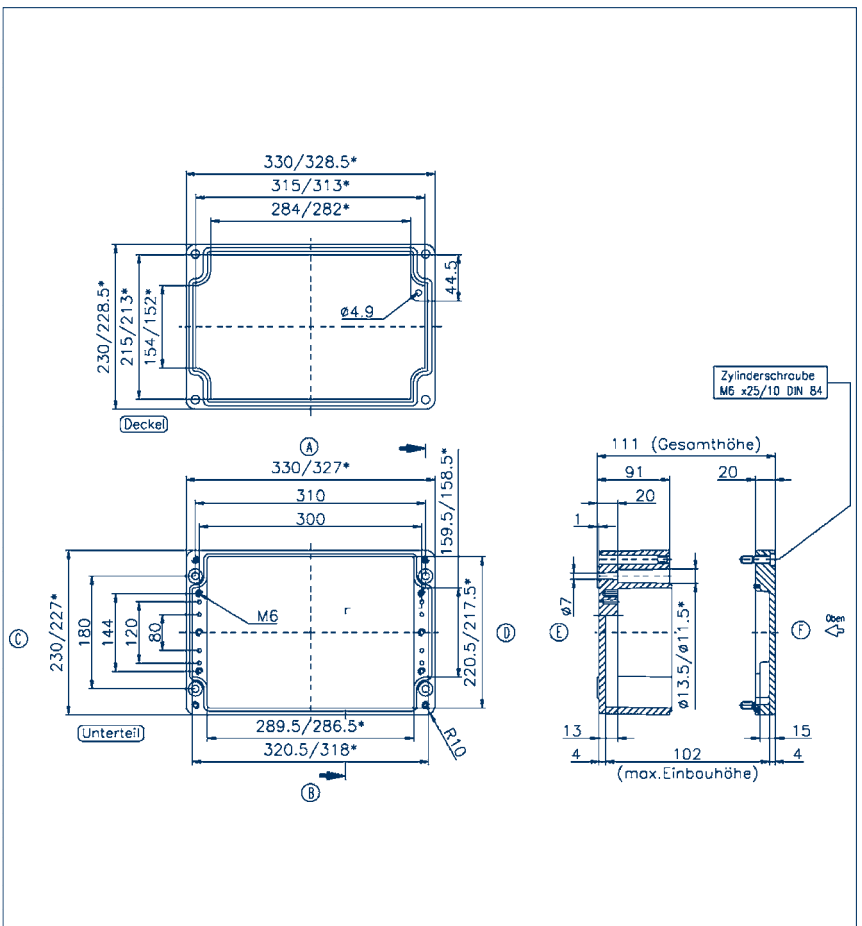


M	A/B	C/D	PG	A/B	C/D
12	84	45	7	81	45
16	42	18	9	52	28
20	30	17	11	38	18
25	15	8	13.5	30	17
32	11	5	16	27	12
40	5	3	21	15	8
50	4	2	29	11	4
63	4	2	36	5	3
			42	4	2
			48	4	2

Accessories Qty.

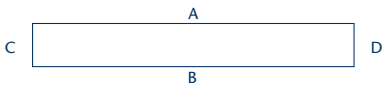
DIN rail section TS15			
Cat. no.			
DIN rail section TS35	TS 35 / 314 mm long		
Cat. no.	4560.3		1
Mounting screw BS	BS M 6x8		
Cat. no.	4558.0		100
Mounting plate MP	MP/A 3323		
Cat. no.	4512.8		1
Wall brackets WL	WL/CP/CA long		
Cat. no.	4509.4		1
External joints (pair) AG	AG/CP/CA (pair)		
Cat. no.	4509.6		1

Dimension diagram



CA 330/180	Type	Cat. no.	Wt.
CA 330/180		4019.0	5290g

Threaded drill hole options

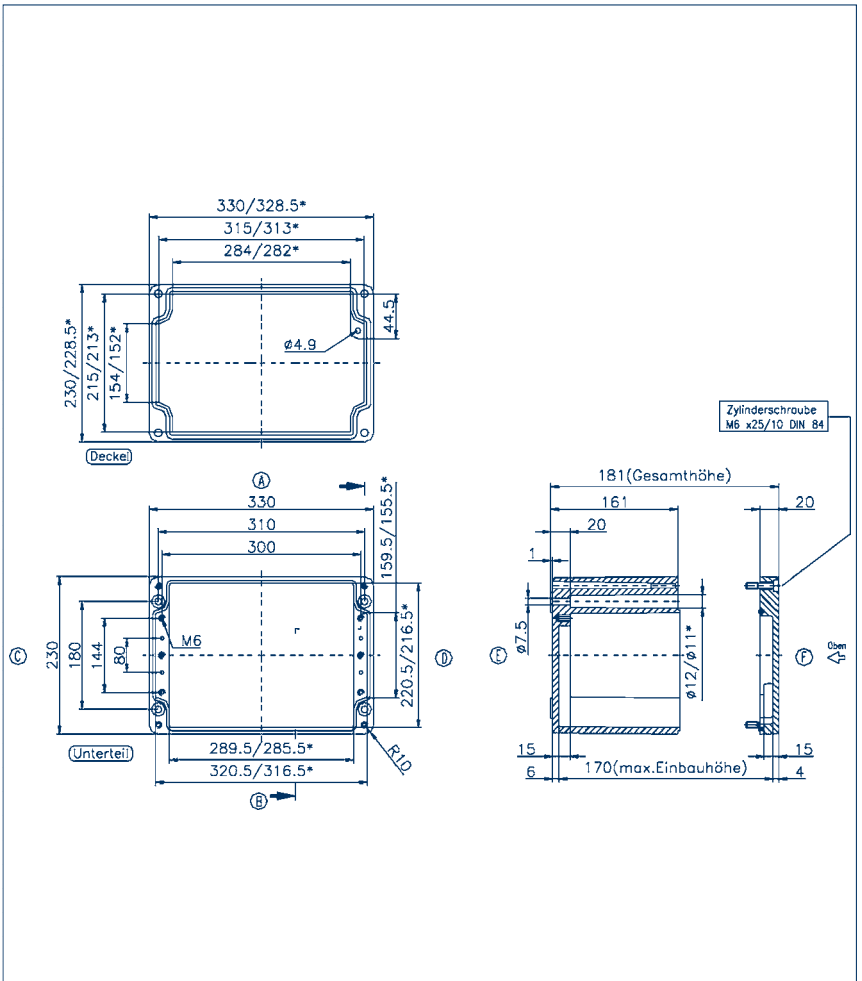


M	A/B	C/D	PG	A/B	C/D
12	165	81	7	144	81
16	77	36	9	104	49
20	60	33	11	77	36
25	30	16	13.5	60	33
32	18	9	16	45	25
40	11	6	21	30	16
50	8	5	29	18	9
63	8	4	36	11	5
			42	8	4
			48	8	4

Accessories Qty.

DIN rail section TS15			
Cat. no.			
DIN rail section TS35	TS 35/314 mm long		
Cat. no.	4560.3		1
Mounting screw BS	BS M 6x8		
Cat. no.	4558.0		100
Mounting plate MP	MP/A 3323		
Cat. no.	4512.8		1
Wall brackets WL	WL/CP/CA long		
Cat. no.	4509.4		1
External joints (pair) AG	AG/CP/CA (pair)		
Cat. no.	4509.6		1

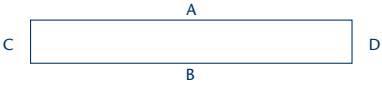
Dimension diagram



Aluminium housing CA

CA 360/80	Type	Cat. no.	Wt.
CA 360/80		4015.0	2061g

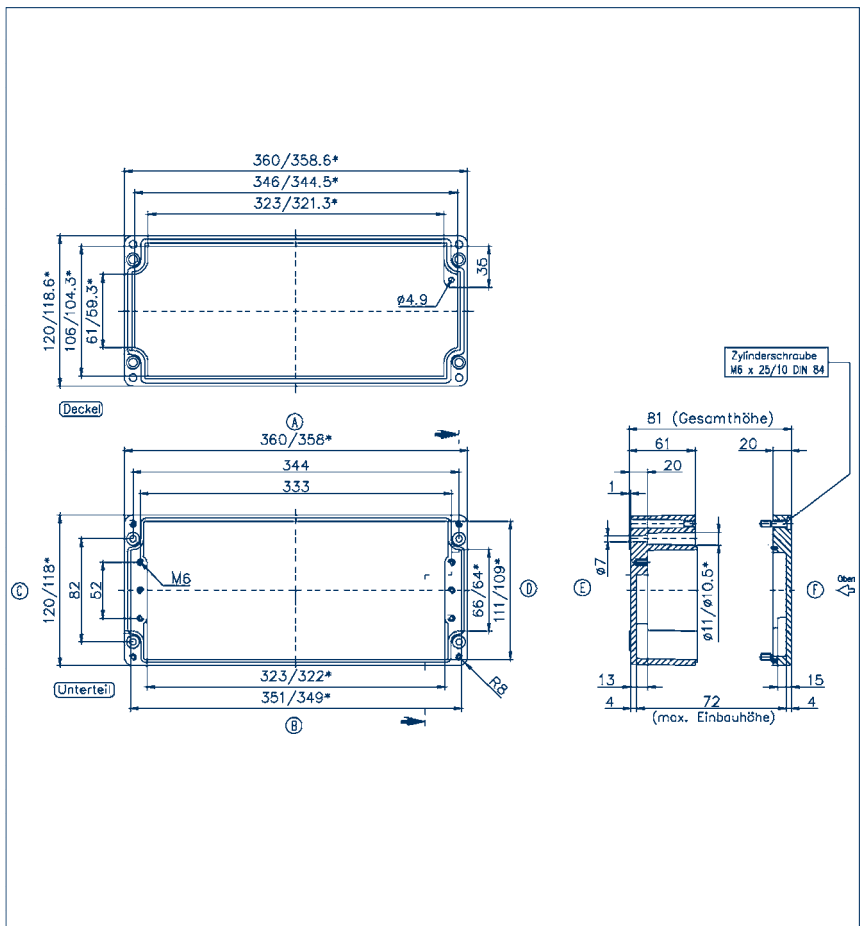
Threaded drill hole options



M	A/B	C/D	PG	A/B	C/D
12	58	11	7	58	11
16	26	5	9	41	6
20	24	4	11	26	4
25	10	2	13.5	24	3
32	7	1	16	20	2
40	-	-	21	10	2
50	-	-	29	7	1
63	-	-	36	-	-
			42	-	-
			48	-	-

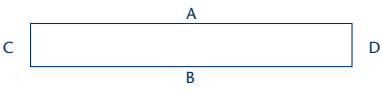
Accessories	Qty.
DIN rail section TS15	
Cat. no.	
DIN rail section TS35	TS 35/348 mm long
Cat. no.	4572.0
Mounting screw BS	BS M 6x8
Cat. no.	4558.0
Mounting plate MP	MP/A 362
Cat. no.	4512.5
Wall brackets WL	WL/CP/CA long
Cat. no.	4509.4
External joints (pair) AG	AG/CP/CA (pair)
Cat. no.	4509.6

Dimension diagram



CA 360/90	Type	Cat. no.	Wt.
CA 360/90		4012.0	2658g

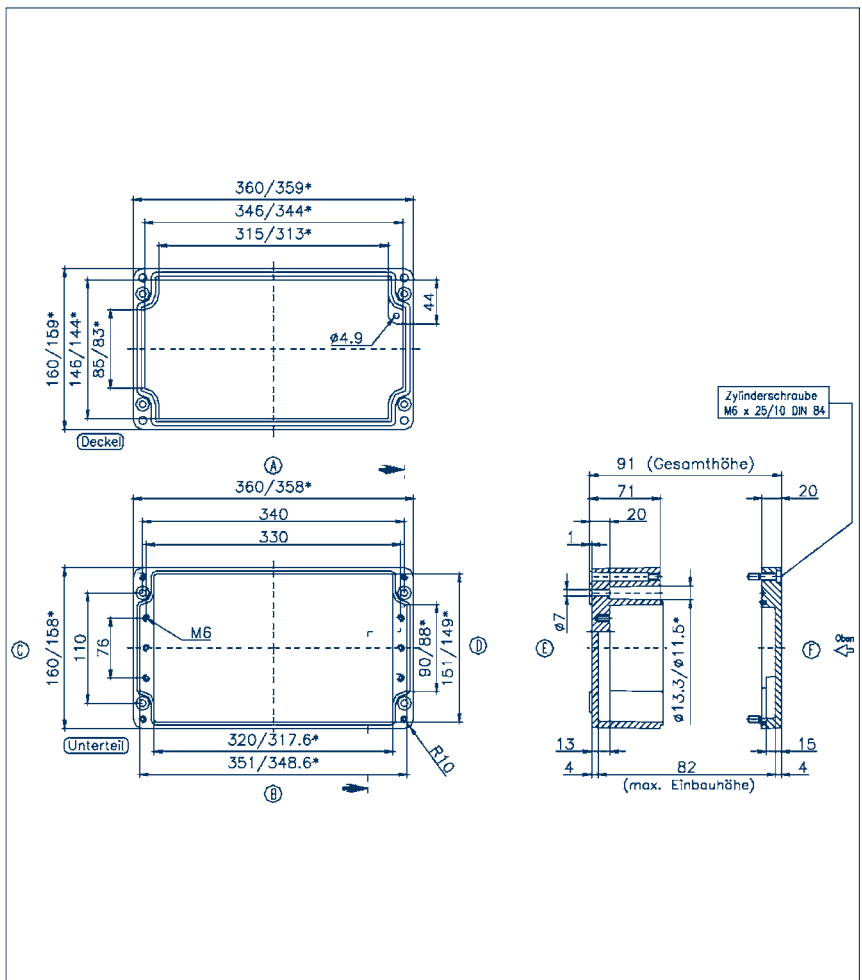
Threaded drill hole options



M	A/B	C/D	PG	A/B	C/D
12	72	16	7	72	16
16	36	8	9	42	11
20	24	6	11	33	6
25	15	3	13.5	24	6
32	7	2	16	20	5
40	5	1	21	14	3
50	4	-	29	7	2
63	-	-	36	5	1
			42	4	-
			48	-	-

Accessories	Qty.
DIN rail section TS15	
Cat. no.	
DIN rail section TS35	TS 35 / 338 mm long
Cat. no.	4507.6
Mounting screw BS	BS M 6x8
Cat. no.	4558.0
Mounting plate MP	MP/A 360
Cat. no.	4502.3
Wall brackets WL	WL/CP/CA long
Cat. no.	4509.4
External joints (pair) AG	AG/CP/CA (pair)
Cat. no.	4509.6

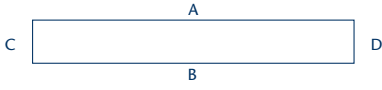
Dimension diagram



Aluminium housing CA

CA 560/90		
Type	Cat. no.	Wt.
CA 560/90	4013.0	3825g

Threaded drill hole options

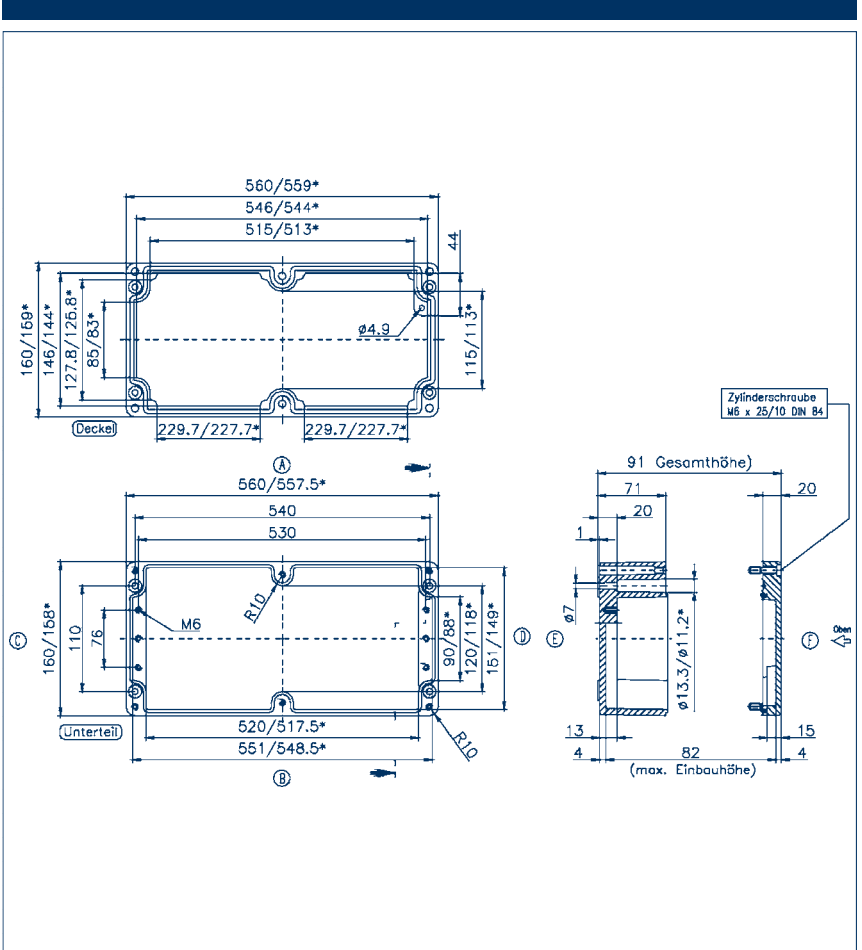


M	A/B	C/D	PG	A/B	C/D
12	104	16	7	104	16
16	58	8	9	66	11
20	40	6	11	58	6
25	24	3	13.5	40	6
32	12	2	16	32	5
40	8	1	21	24	3
50	6	-	29	12	2
63	-	-	36	8	1
			42	6	-
			48	-	-

Accessories Qty.

DIN rail section TS15		
Cat. no.		
DIN rail section TS35	TS 35 / 545 mm long	
Cat. no.	4507.7	1
Mounting screw BS	BS M 6x8	
Cat. no.	4558.0	100
Mounting plate MP	MP/A 560	
Cat. no.	4502.5	1
Wall brackets WL	WL/CP/CA long	
Cat. no.	4509.4	1
External joints (pair) AG	AG/CP/CA (pair)	
Cat. no.	4509.6	1

Dimension diagram



Aluminium housing CA

Accessories

Mounting plate



Material: Galvanized steel

Type	Cat. no.	Qty.	Housing Type
MP/A 75	4500.7	1	CA 75
MP/A 122	4500.5	1	CA 122
MP/A 125	4500.9	1	CA 125
MP/A 160	4501.9	1	CA 160
MP/A 175	4501.3	1	CA 175
MP/A 2023	4512.6	1	CA 200
MP/A 220/8/9	4501.7	1	CA 220
MP/A 260	4502.1	1	CA 260
MP/A 280	4571.0	1	CA 280
MP/A 2823	4512.7	1	CA 280/110
MP/A 3323	4512.8	1	CA 330
MP/A 360	4502.3	1	CA 360/90
MP/A 362	4512.5	1	CA 360/80
MP/A 560	4502.5	1	CA 560

DIN rail TS35



Material: Galvanized steel

Type	Cat. no.	Qty.	Housing Type
TS 35 / 106 mm long	4559.5	1	CA 122
TS 35 / 144 mm long	4507.4	1	CA 160
TS 35 / 160 mm long	4510.9	1	CA 175
TS 35 / 186 mm long	4560.1	1	CA 200
TS 35 / 208 mm long	4507.3	1	CA 220
TS 35 / 248 mm long	4507.5	1	CA 260
TS 35 / 264 mm long	4570.0	1	CA 280
TS 35 / 314 mm long	4560.3	1	CA 330
TS 35 / 338 mm long	4507.6	1	CA 360/90
TS 35 / 348 mm long	4572.0	1	CA 360/80
TS 35 / 545 mm long	4507.7	1	CA 560

DIN rail TS15



Material: Galvanized steel

Type	Cat. no.	Qty.	Housing Type
TS 15 / 61 mm long	4510.7	1	CA 75
TS 15 / 87 mm long	4559.2	1	CA 98
TS 15 / 110 mm long	4510.8	1	CA 125
TS 15 / 160 mm long	4507.0	1	CA 175

Mounting screw BS



Material: Galvanized steel

Type	Cat. no.	Qty.	Housing Type
BS M 4X5	4557.0	100	CA 75, CA 98, CA 125, CA 175,
BS M 6X8	4558.0	100	CA 122, CA 160, CA 200, CA 220, CA 260 CA 280, CA 330, CA 360, CA 560

External joint AG



Material: Aluminium
Colour: grey, similar to RAL 7000

Type	Cat. no.	Qty.	Housing Type
AG/CP/CA (pair)	4509.6	1	CA 122, CA 160, CA 200, CA 220, CA 260, CA 280, CA 330, CA 360, CA 560

Swivel range: 150°
Set = 2 pieces

Wall brackets WL



Material: Galvanized steel

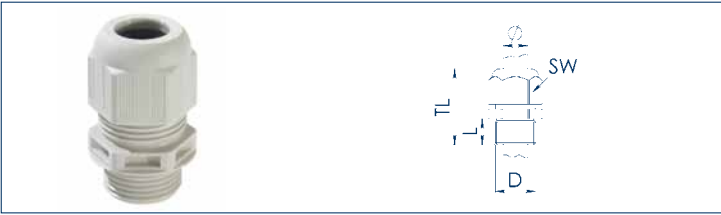
Type	Cat. no.	Qty.	Housing Type
WL/CP/CA short	4509.3	1	CA 75, CA 125, CA 175, CA 250
WL/CP/CA long	4509.4	1	CA 122, CA 160, CA 200, CA 220 CA 260, CA 280, CA 330, CA 360, CA 560

Wall bracket set made of steel: set = 4 pieces



Metric cable gland systems KV/M

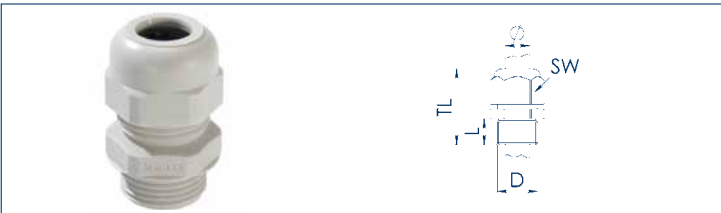
Plastic cable glands / metric threading



Material: Polyamide UL94-V0, protection: IP 68-5-bar,
 Colour: RAL 7035 bright grey, colour variants (.4) RAL 9005 black
 Seal: EPDM, Temperature range: -20°C to +100°C
 VDE certified: acc. to DIN EN 50626

Type	Cat. no.	Qty.	For cable ø mm	Thread length L, mm	Spanner width AF, mm	TL, mm
KV/M 12 x 1.5	4573.2	100	3...7	9	16	29-34
KV/M 16 x 1.5	4574.2	100	4.5...10	9	20	31-37
KV/M 20 x 1.5	4575.2	100	6...13	10	24	36-45
KV/M 25 x 1.5	4576.2	50	9...17	10	29	38-47
KV/M 32 x 1.5	4577.2	25	13...21	12	36	42-51
KV/M 40 x 1.5	4578.2	10	16...28	12	46	52-65
KV/M 50 x 1.5	4579.2	5	21...35	14	55	59-72
KV/M 63 x 1.5	4580.2	5	34...48	15	68	64-78

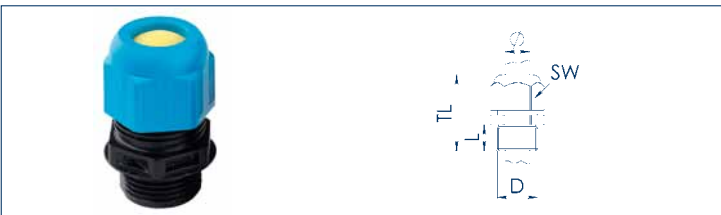
Plastic cable glands / metric threading



Material: polyamide, protection IP 66,
 Cable gland with strain relief mechanism
 Colour: RAL 7035 bright grey,
 Temperature range: -20°C to +80°C

Type	Cat. no.	Qty.	For cable ø mm	Thread length L, mm	Spanner width AF, mm	TL, mm
KVC/M 12 x 1.5	4581.2	50	4...6	9	15	28-32
KVC/M 16 x 1.5	4582.2	50	5...8	9	19	32-36
KVC/M 20 x 1.5	4583.2	50	7...12	10	24	35-41
KVC/M 25 x 1.5	4584.2	50	9...14	11	27	38-44
KVC/M 32 x 1.5	4585.2	25	13...17	11	33	43-50
KVC/M 40 x 1.5	4586.2	25	17...24	12	42	47-56
KVC/M 50 x 1.5	4587.2	10	23...32	14	53	56-65
KVC/M 63 x 1.5	4588.2	10	37...44	15	65	60-68

ATEX plastic cable glands / metric threading / intrinsically safe



Explosion protection: II 2 G D Eex e II, certifications: PTB 05 ATEX 1068X
 Material: polyamide, self-extinguishing, protection: IP 66,
 Colour: black-blue
 Temperature range: -20°C to +75°C

Type	Cat. no.	Qty.	For cable ø mm	Thread length L, mm	Spanner width AF, mm	TL, mm
KV/Mex-i 16 x 1.5	17500.5	50	4...9	9	20	31-37
KV/Mex-i 20 x 1.5	17501.5	50	6...13	10	24	36-45
KV/Mex-i 25 x 1.5	17502.5	50	7...17	10	29	38-47
KV/Mex-i 32 x 1.5	17503.5	25	13...21	12	36	42-51
KV/Mex-i 40 x 1.5	17504.5	10	17...28	12	46	52-65
KV/Mex-i 50 x 1.5	17505.5	4	23...35	14	55	59-72
KV/Mex-i 63 x 1.5	17506.5	1	31...48	15	68	64-78

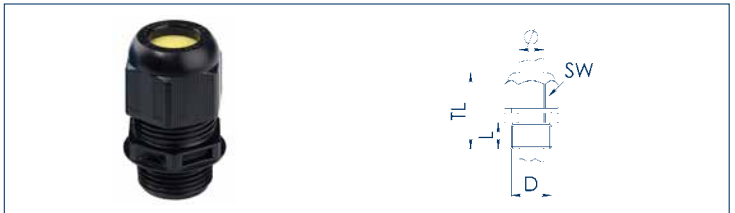
Plastic cable glands / long metric threading



Material: Polyamide UL94-V0, protection: IP 68-5-bar,
 Colour: RAL 7035 bright grey,
 Seal: EPDM,
 Temperature range: -20°C to +100°C

Type	Cat. no.	Qty.	For cable ø mm	Thread length L, mm	Spanner width AF, mm	TL, mm
KV/M-L 12 x 1.5	17599.2	50	3...7	15	16	35-40
KV/M-L 16 x 1.5	17600.2	50	4.5...10	15	20	37-43
KV/M-L 20 x 1.5	17601.2	50	6...13	15	24	41-50
KV/M-L 25 x 1.5	17602.2	50	9...17	15	29	43-52
KV/M-L 32 x 1.5	17603.2	25	13...21	15	36	45-54
KV/M-L 40 x 1.5	17604.2	10	16...28	18	46	58-71
KV/M-L 50 x 1.5	17605.2	10	21...35	18	55	63-76
KV/M-L 63 x 1.5	17606.2	10	34...48	18	68	67-81

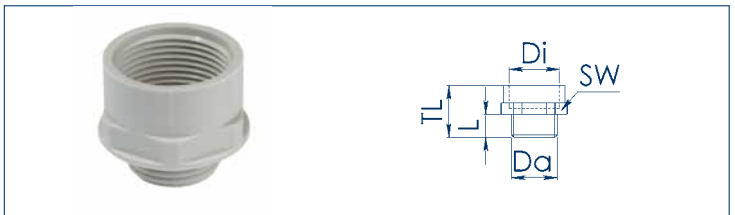
ATEX plastic cable glands / metric threading / increased security



Explosion protection: II 2 G D Eex e II, certifications: PTB 05 ATEX 1068X
 Material: polyamide, self-extinguishing, protection: IP 66,
 Colour: RAL 9001 black
 Temperature range: -20°C to +75°C

Type	Cat. no.	Qty.	For cable ø mm	Thread length L, mm	Spanner width AF, mm	TL, mm
KV/Mex-e 16 x 1.5	17500.4	50	4...9	9	20	31-37
KV/Mex-e 20 x 1.5	17501.4	50	6...13	10	24	36-45
KV/Mex-e 25 x 1.5	17502.4	50	7...17	10	29	38-47
KV/Mex-e 32 x 1.5	17503.4	25	13...21	12	36	42-51
KV/Mex-e 40 x 1.5	17504.4	10	17...28	12	46	52-65
KV/Mex-e 50 x 1.5	17505.4	4	23...35	14	55	59-72
KV/Mex-e 63 x 1.5	17506.4	1	31...48	15	68	64-78

Plastic extensions / metric - metric

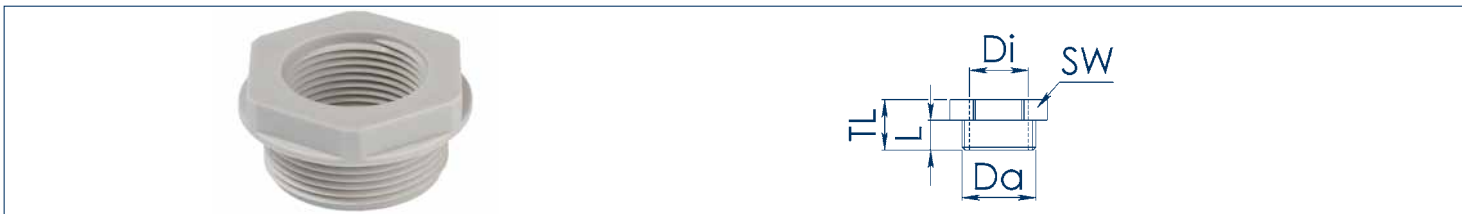


Material: glass-fibre reinforced polyamide
 Colour: RAL 7035 bright grey,
 Temperature range: -40°C to +100°C

Type	Cat. no.	Qty.	Outer ø - Inner ø, mm	Thread length L, mm	Spanner width AF, mm	TL, mm
VEM 12/16	17607.2	100	12x1.5 - 16x1.5	9	20	27
VEM 16/20	17608.2	100	16x1.5 - 20x1.5	9	24	27
VEM 20/25	17609.2	100	20x1.5 - 25x1.5	9	29	27
VEM 25/32	17610.2	100	25x1.5 - 32x1.5	10	36	28
VEM 32/40	17611.2	50	32x1.5 - 40x1.5	12	46	30
VEM 40/50	17612.2	25	40x1.5 - 50x1.5	12	55	30
VEM 50/63	17613.2	5	50x1.5 - 63x1.5	14	68	32

Metric cable gland systems KV/M

Plastic reducing sleeves / metric - metric



Material: glass-fibre reinforced polyamide
 Colour: RAL 7035 bright grey,
 Temperature range: -40°C to +100°C

Type	Cat. no.	Qty.	Outer ø - Inner ø, mm	Thread length L, mm	Spanner width AF, mm	TL, mm	Type	Cat. no.	Qty.	Outer ø - Inner ø, mm	Thread length L, mm	Spanner width AF, mm	TL, mm
VRM 16/12	17614.2	100	16x1.5 - 12x1.5	9	20	16	VRM 40/20	17623.2	25	40x1.5 - 25x1.5	12	46	19
VRM 20/12	17615.2	100	20x1.5 - 12x1.5	9	24	16	VRM 40/25	17624.2	25	40x1.5 - 25x1.5	12	46	19
VRM 20/16	17616.2	100	20x1.5 - 16x1.5	9	24	17	VRM 40/32	17625.2	25	40x1.5 - 32x1.5	12	46	19
VRM 25/12	17617.2	100	25x1.5 - 12x1.5	10	29	17	VRM 50/25	17626.2	5	50x1.5 - 25x1.5	14	55	21
VRM 25/16	17618.2	100	25x1.5 - 16x1.5	10	29	17	VRM 50/32	17627.2	5	50x1.5 - 32x1.5	14	55	21
VRM 25/20	17619.2	100	25x1.5 - 20x1.5	10	29	17	VRM 50/40	17628.2	5	50x1.5 - 40x1.5	14	55	21
VRM 32/16	17620.2	50	32x1.5 - 16x1.5	12	36	19	VRM 63/32	17629.2	5	63x1.5 - 32x1.5	15	65	22
VRM 32/20	17621.2	50	32x1.5 - 20x1.5	12	36	19	VRM 63/40	17630.2	5	63x1.5 - 40x1.5	15	65	22
VRM 32/25	17622.2	50	32x1.5 - 25x1.5	12	36	19	VRM 63/50	17631.2	5	63x1.5 - 50x1.5	15	65	22

Plastic screw plugs / metric threading



Material: glass-fibre reinforced polyamide, protection: IP 56,
 Colour: RAL 7035 bright grey,
 Temperature range: -40°C to +100°C

Type	Cat. no.	Qty.	Head ø mm	Thread length L, mm	TL, mm
V/M 12 x 1.5	4589.2	100	15	6	8
V/M 16 x 1.5	4590.2	100	20	6	9
V/M 20 x 1.5	4591.2	100	24	6	9.5
V/M 25 x 1.5	4592.2	100	30	8	11.5
V/M 32 x 1.5	4593.2	100	37	8	12
V/M 40 x 1.5	4594.2	50	46	8	13
V/M 50 x 1.5	4595.2	50	56	10	15
V/M 63 x 1.5	4596.2	50	70	12	17

Adjustable nipple for metric threading



Material: thermo-plastic elastomer
 Protection: IP 55
 Colour: grey

Type	Cat. no.	Qty.	For cable ø mm	Wall thickness, mm
SN/M20	4148.2	100	5...16	1.5...4.5
SN/M25	4149.2	50	5...21	1.5...4.5
SN/M32	4150.2	25	13...26.5	1.5...4.5
SN/M40	4151.2	20	13...34	1.5...4.5

Plastic counter nuts / metric threading



Material: glass-fibre reinforced polyamide
 Colour variant (.4)RAL 9005 black
 Temperature range: -40°C to +100°C

Type	Cat. no.	Qty.	TL, mm	Spanner width AF, mm
S/M 12 x 1.5	4140.2	100	5	18
S/M 16 x 1.5	4141.2	100	5	22
S/M 20 x 1.5	4142.2	100	5	27
S/M 25 x 1.5	4143.2	100	6	32
S/M 32 x 1.5	4144.2	100	6	40
S/M 40 x 1.5	4145.2	50	7	50
S/M 50 x 1.5	4146.2	50	7	60
S/M 63 x 1.5	4147.2	50	7	75

Double-membrane brackets / metric threading



Material: thermo-plastic elastomer
 Protection: IP 66
 Colour: grey

Type	Cat. no.	Qty.	For cable ø mm	Wall thickness, mm
DM/M16	4160.2	50	5...9	1.5...4.5
DM/M20	4161.2	50	7...12	1.5...4.5
DM/M25	4162.2	50	9...16	1.5...4.5
DM/M32	4163.2	25	14...21	1.5...4.5

Metric cable gland systems KV/M

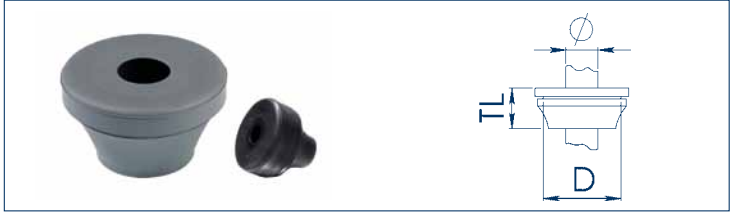
Seal plugs for metric threading



Material: Polyethylene
Protection: IP 54
Colour: grey

Type	Cat. no.	Qty.	For cable ø mm	Wall thickness, mm
VS/M16	4164.2	100	6...10	1.5...4.0
VS/M20	4165.2	100	8...13.5	1.5...4.0
VS/M25	4166.2	50	9...16	1.5...4.0
VS/M32	4167.2	50	11...23	1.5...4.0
VS/M40	4168.2	25	17...30	1.5...4.0

Seal bushing for metric threading



Material: EPDM, 55° shore A, protection: IP 66/67,
Colour: RAL 7001 silver-grey, colour variants (.4) RAL 9005 black
Temperature range: -40°C to +110°C

Type	Cat. no.	Qty.	For cable ø mm	Wall thickness, mm	Drill holes ø mm	TL, mm
FDM 12 GR	17632.6	50	4...7	0.5...2	12 - 13	13
FDM 16 GR	17633.6	50	5...10	1...4	15 - 17	18
FDM 20 GR	17634.6	50	8...13	1...4	18 - 19	20
FDM 25 GR	17635.6	50	11...17	1...4	25 - 26	21.5
FDM 32 GR	17636.6	50	15...21	1...4	32 - 33	25
FDM 40 GR	17637.6	50	19...28	1...4	40 - 41	30
FDM 50 GR	17638.6	10	27...35	1...4	50 - 51	35

Brass cable glands / metric threading



Material: Nickel-plated brass, Protection: IP 68-5-bar,
Seal: EPDM (CR) seal, O-ring at connecting threads
Temperature range: -40°C to +100°C

Type	Cat. no.	For cable ø mm	Thread length L, mm	Spanner width AF, mm	TL, mm
KV/M 12 x 1.5-MS	4169.2	3...7	5	16	23-30
KV/M 16 x 1.5-MS	4170.2	4.5...10	5	20	26-34
KV/M 20 x 1.5-MS	4171.2	6...13	6	24	29-37
KV/M 25 x 1.5-MS	4172.2	9...17	7	29	33-42
KV/M 32 x 1.5-MS	4173.2	13...21	8	36	36-44
KV/M 40 x 1.5-MS	4174.2	16...28	8	46	44-45
KV/M 50 x 1.5-MS	4175.2	21...35	9	55	51-62
KV/M 63 x 1.5-MS	4176.2	34...48	10	68	56-67
KV/M 75 x 1.5-MS	4177.2	48...62	12	82	67-81

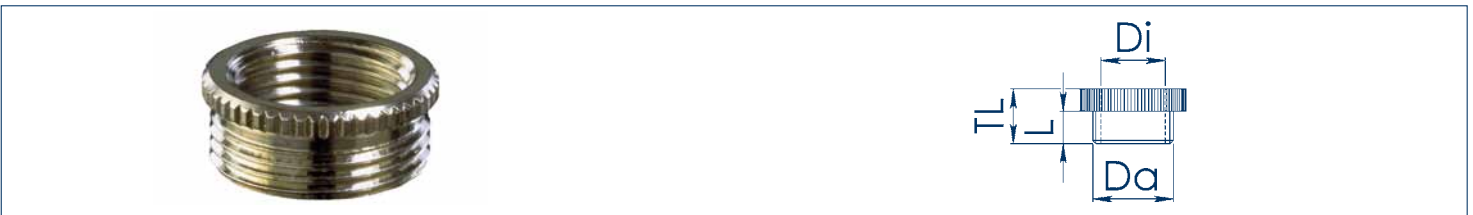
Brass extensions / metric - metric



Material: Nickel-plated brass

Type	Cat. no.	Qty.	Outer ø - Inner ø, mm	Thread length L, mm	TL, mm
VEM-MS 12/16	17700.2	100	12x1.5 - 16x1.5	5	15
VEM-MS 16/20	17701.2	100	16x1.5 - 20x1.5	5	17
VEM-MS 20/25	17702.2	50	20x1.5 - 25x1.5	6	19
VEM-MS 25/32	17703.2	50	25x1.5 - 32x1.5	7	21
VEM-MS 32/40	17704.2	50	32x1.5 - 40x1.5	8	24
VEM-MS 40/50	17705.2	25	40x1.5 - 50x1.5	8	31
VEM-MS 50/63	17706.2	10	50x1.5 - 63x1.5	9	31

Brass reducing sleeves / metric - metric



Material: Nickel-plated brass

Type	Cat. no.	Qty.	Outer ø - Inner ø, mm	Thread length L, mm	TL, mm	Type	Cat. no.	Qty.	Outer ø - Inner ø, mm	Thread length L, mm	TL, mm
VRM-MS 16/12	17707.2	100	16x1.5 - 12x1.5	5	8	VRM-MS 40/25	17714.2	25	40x1.5 - 25x1.5	8	11.5
VRM-MS 20/12	17708.2	100	20x1.5 - 12x1.5	6	8.5	VRM-MS 40/32	17715.2	25	40x1.5 - 32x1.5	8	11.5
VRM-MS 20/16	17709.2	100	20x1.5 - 16x1.5	6	8.5	VRM-MS 50/32	17716.2	10	50x1.5 - 32x1.5	9	12.5
VRM-MS 25/16	17710.2	50	25x1.5 - 16x1.5	7	10	VRM-MS 50/40	17717.2	25	50x1.5 - 40x1.5	9	12.5
VRM-MS 25/20	17711.2	100	25x1.5 - 20x1.5	7	10	VRM-MS 63/40	17718.2	10	63x1.5 - 40x1.5	10	14
VRM-MS 32/20	17712.2	25	32x1.5 - 20x1.5	8	11.5	VRM-MS 63/50	17719.2	10	63x1.5 - 50x1.5	10	14
VRM-MS 32/25	17713.2	50	32x1.5 - 25x1.5	8	11.5						

Metric cable gland systems KV/M

Brass screw plugs / metric threading



Material: Nickel-plated brass, Protection: IP 54

Type	Cat. no.	Qty.	Head ø mm	Thread length L, mm	TL, mm
V/M 12 x 1.5-MS	4178.2	100	16	5	7.5
V/M 16 x 1.5-MS	4179.2	100	20	5	8
V/M 20 x 1.5-MS	4180.2	100	24	6.5	9.5
V/M 25 x 1.5-MS	4181.2	100	28	7	11
V/M 32 x 1.5-MS	4182.2	50	35	8	12
V/M 40 x 1.5-MS	4183.2	50	45	8.5	13
V/M 50 x 1.5-MS	4184.2	25	55	9	15
V/M 63 x 1.5-MS	4185.2	10	68	10	16

Brass EMC earth insert, acc. to DIN 89345 / metric threading



Material: Chrome-plate brass
For use in KV/M brass cable glands

Type	Cat. no.	Qty.	For cable ø mm	For cable glands
VEE-MS 12-05	17720.2	1	5	KV/M 12 x 1.5-MS
VEE-MS 16-07	17721.2	1	7.5	KV/M 16 x 1.5-MS
VEE-MS 18-09	17722.2	1	9.5	KV/M 20 x 1.5-MS
VEE-MS 24-16	17723.2	1	16	KV/M 25 x 1.5-MS
VEE-MS 36-20	17724.2	1	20	KV/M 32 x 1.5-MS
VEE-MS 36-26	17725.2	1	26	KV/M 40 x 1.5-MS
VEE-MS 45-33	17726.2	1	33	KV/M 50 x 1.5-MS
VEE-MS 56-45	17727.2	1	45	KV/M 63 x 1.5-MS

Reducing seal insert for metric cable glands



Material: thermo-plastic elastomer, Protection: IP 68
Colour: black, Temperature range: -40°C to +100°C
Fits with all metric-sized plastic and brass cable glands.

Type	Cat. no.	Qty.	For cable ø mm	For cable glands
VRDE 12	17639.4	50	1...3	M12
VRDE 16	17640.4	50	2...6	M16
VRDE 20	17641.4	50	4...8	M20
VRDE 25	17642.4	25	7...12	M25
VRDE 32	17643.4	25	9...14	M32
VRDE 40	17644.4	10	12...20	M40
VRDE 50	17645.4	10	16...25	M50
VRDE 63	17646.4	10	28...38	M63

Brass counter nuts / metric threading



Material: Nickel-plated brass

Type	Cat. no.	Qty.	TL, mm	Spanner width AF, mm
S/M 12 x 1.5-MS	4186.2	100	2.8	15
S/M 16 x 1.5-MS	4187.2	100	2.8	19
S/M 20 x 1.5-MS	4188.2	100	3	24
S/M 25 x 1.5-MS	4189.2	100	3.5	30
S/M 32 x 1.5-MS	4190.2	100	4	36
S/M 40 x 1.5-MS	4191.2	50	5	46
S/M 50 x 1.5-MS	4192.2	50	5	60
S/M 63 x 1.5-MS	4193.2	50	6	70
S/M 75 x 1.5-MS	17737.2	1	8	80

Brass EMC counter nuts with teeth / metric threading



Material: Nickel-plated brass

Type	Cat. no.	Qty.	TL, mm	Spanner width AF, mm
S/M 12-MS/EMV	17728.2	100	4.7	15
S/M 16-MS/EMV	17729.2	100	4.7	19
S/M 20-MS/EMV	17730.2	100	4.7	24
S/M 25-MS/EMV	17731.2	100	5.2	30
S/M 32-MS/EMV	17732.2	100	5.7	36
S/M 40-MS/EMV	17733.2	50	6.5	46
S/M 50-MS/EMV	17734.2	50	7	60
S/M 63-MS/EMV	17735.2	25	7	70

Connection-thread sealing rings for metric cable glands



Material: EPDM
Colour: black, Temperature range: -40°C to +130°C
Provides additional sealing for the housing/cable gland connection

Type	Cat. no.	Qty.	TL, mm	For cable glands
D/M 12 BK	17760.4	100	2	M12
D/M 16 BK	17761.4	100	2	M16
D/M 20 BK	17762.4	100	2	M20
D/M 25 BK	17763.4	100	2	M25
D/M 32 BK	17764.4	100	2	M32
D/M 40 BK	17765.4	100	2	M40
D/M 50 BK	17766.4	100	2	M50
D/M 63 BK	17767.4	100	2	M63

Metric cable gland systems KV/M

Multiple seal insert for metric cable glands



Material: thermo-plastic elastomer, Protection: IP 66,
 Colour: black, Temperature range: -40°C to +100°C
 Fits with all metric-sized plastic and brass cable glands.

Type	Cat. no.	Qty.	For cable ø mm	Number of cables	For cable glands	Type	Cat. no.	Qty.	For cable ø mm	Number of cables	For cable glands
VMD 12/04/020	17647.4	25	0...2	4	M12	VMD 25/03/070	17656.4	25	5...7	3	M25
VMD 16/02/040	17648.4	25	2...4	2	M16	VMD 25/04/060	17657.4	25	4...6	4	M25
VMD 20/02/060	17649.4	25	4...6	2	M20	VMD 32/04/070	17658.4	25	5...7	4	M32
VMD 20/02/065	17650.4	25	5...6.5	2	M20	VMD 32/04/080	17659.4	25	6...8	4	M32
VMD 20/03/040	17651.4	25	2.5...4	3	M20	VMD 32/06/060	17660.4	25	5...6	6	M32
VMD 25/01/065	17652.4	25	4...6.5	1	M25	VMD 40/07/070	17661.4	25	5...7	7	M40
VMD 25/02/060	17653.4	25	4...6	2	M25	VMD 40/07/080	17662.4	25	6...8	7	M40
VMD 25/02/070	17654.4	25	5...7	2	M25	VMD 40/08/060	17663.4	25	5...6	8	M40
VMD 25/02/080	17655.4	25	6...8	2	M25	VMD 50/09/080	17664.4	25	6...8	9	M50

Dummy plug

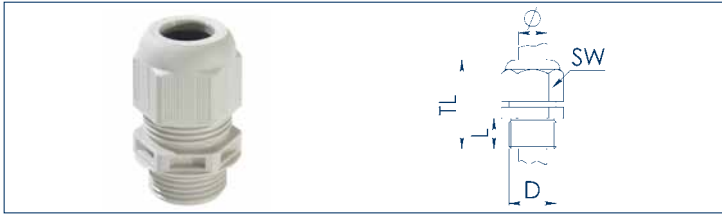


Material: Polyamide, Colour: red,
 Temperature range: -40°C to +100°C
 For sealing off unused cable and wire feed-ins with multiple seal inserts.

Type	Cat. no.	Qty.	Diameter mm	Length, mm
VBS 2 RD	17665.9	50	2	12
VBS 3 RD	17666.9	50	3	12
VBS 4 RD	17667.9	50	4	12
VBS 5 RD	17668.9	50	5	12
VBS 6 RD	17669.9	50	6	16
VBS 7 RD	17670.9	50	7	16
VBS 8 RD	17671.9	50	8	16
VBS 9 RD	17672.9	50	9	16
VBS 10 RD	17673.9	50	10	16
VBS 12 RD	17674.9	50	12	22
VBS 13 RD	17675.9	50	13	22
VBS 14 RD	17676.9	50	14	22
VBS 17 RD	17677.9	25	17	17
VBS 20 RD	17678.9	25	20	22
VBS 21 RD	17679.9	25	21	30
VBS 25 RD	17680.9	25	25	30
VBS 28 RD	17681.9	25	28	30
VBS 35 RD	17682.9	10	35	35
VBS 38 RD	17683.9	10	38	35
VBS 48 RD	17684.9	10	48	35
VBS 63 RD	17685.9	5	63	35

Cable gland systems KV/PG

Plastic cable glands / PG threading



Material: polyamide UL94-V0, protection: IP 68-5-bar,
 Colour: RAL 7035 bright grey, colour variant: (4) RAL 9005 black,
 Seal: EPDM, Temperature range: -20°C to +80°C

Type	Cat. no.	Qty.	For cable ø mm	Thread length L, mm	Spanner width AF, mm	TL, mm
KV/PG 7	4515.2	100	3...6	9	15	28-32
KV/PG 9	4516.2	100	4...8	9	19	32-36
KV/PG 11	4517.2	100	5...10	9	22	33-39
KV/PG 13.5	4518.2	100	6...12	10	24	35-41
KV/PG 16	4519.2	50	8...14	11	27	38-44
KV/PG 21	4520.2	50	10...18	11	33	43-50
KV/PG 29	4521.2	25	16...25	12	42	47-56
KV/PG 36	4522.2	10	22...32	14	53	56-65
KV/PG 42	4523.2	5	28...38	14	60	58-67
KV/PG 48	4524.2	5	36...44	15	65	60-68

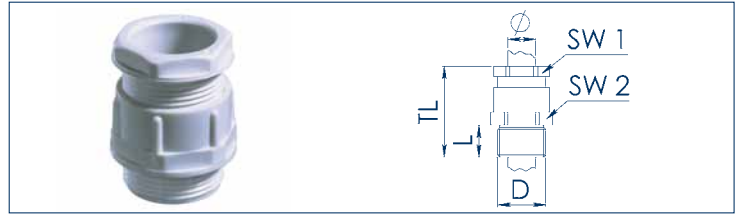
Plastic screw plugs / PG threading



Material: impact-resistant polystyrene, Protection: IP 56
 Colour: RAL 7035 bright grey,
 Temperature range: -20°C to +60°C

Type	Cat. no.	Qty.	Head ø mm	Thread length L, mm	TL, mm
V/PG 7	4515.6	100	15	6	8
V/PG 9	4516.6	100	19	6	9
V/PG 11	4517.6	100	22	6	9
V/PG 13.5	4518.6	100	25	6	9.5
V/PG 16	4519.6	100	27	6	9.5
V/PG 21	4520.6	100	33	8	11
V/PG 29	4521.6	100	44	8	12
V/PG 36	4522.6	50	55	10	15
V/PG 42	4523.6	50	62	10	16
V/PG 48	4524.6	50	69	12	16

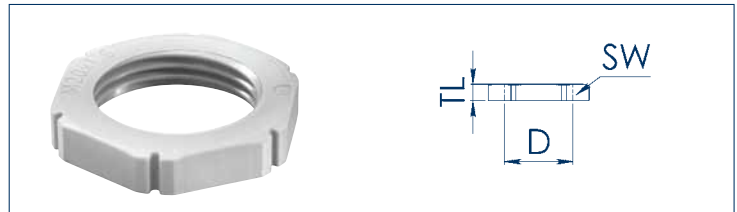
Plastic cable glands / PG threading



Material: glass-fibre reinforced polyamide, protection: IP 54
 Colour: RAL 7035 bright grey, plastic pressure ring
 Temperature range: -20°C to +80°C

Type	Cat. no.	Qty.	For cables ø mm	Thread length L, mm	Spanner width AF, mm	TL, mm
KVC/PG 7	4525.2	50	3.5...6	8	15	28
KVC/PG 9	4526.2	50	4.5...7	8	19	30
KVC/PG 11	4527.2	50	6...9	8	22	31
KVC/PG 13.5	4528.2	50	9...12	9	24	35
KVC/PG 16	4529.2	50	11...14	10	27	38
KVC/PG 21	4530.2	50	14...18	11	33	43
KVC/PG 29	4531.2	25	18...25	11	42	44
KVC/PG 36	4532.2	10	25...32	13	53	54
KVC/PG 42	4533.2	10	30...38	13	60	57
KVC/PG 48	4534.2	10	38...44	15	65	60

Plastic counter nuts / PG threading

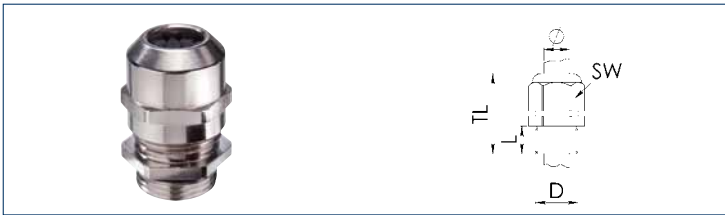


Material: glass-fibre reinforced polyamide, Colour: RAL 7035 bright grey,
 Temperature range: -40°C to +100°C
 Colour variants: RAL9005 black

Type	Cat. no.	Qty.	TL mm	Spanner width AF, mm
S/PG 7	4515.8	100	5	19
S/PG 9	4516.8	100	5	22
S/PG 11	4517.8	100	5	24
S/PG 13.5	4518.8	100	6	27
S/PG 16	4519.8	100	6	30
S/PG 21	4520.8	100	7	3
S/PG 29	4521.8	100	7	46
S/PG 36	4522.8	50	8	60
S/PG 42	4523.8	50	8	73
S/PG 48	4524.8	50	8	78

Cable gland systems KV/PG

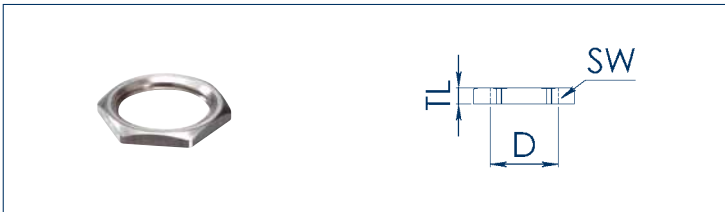
Brass cable glands / PG threading



Material: Nickel-plated brass, Protection: IP 68-5-bar,
Seal: EPDM, Temperature range: -25 °C to +80 °C

Type	Cat. no.	Qty.	For cable ø mm	Thread length L, mm	Spanner width AF, mm	TL, mm
KV/PG 7-MS	4535.2	100	3...6.5	6	14	23
KV/PG 9-MS	4536.2	100	4...8	6	17	29
KV/PG 11-MS	4537.2	50	5...10	6.5	20	30
KV/PG 13.5-MS	4538.2	50	6...12	6.5	22	32
KV/PG 16-MS	4539.2	50	10...14	6	24	32
KV/PG 21-MS	4540.2	50	13...18	7	30	35
KV/PG 29-MS	4541.2	25	18...25	8	40	40
KV/PG 36-MS	4542.2	10	22...32	9	50	45
KV/PG 42-MS	4543.2	5	30...38	12	57	48
KV/PG 48-MS	4544.2	5	34...44	14	64	50

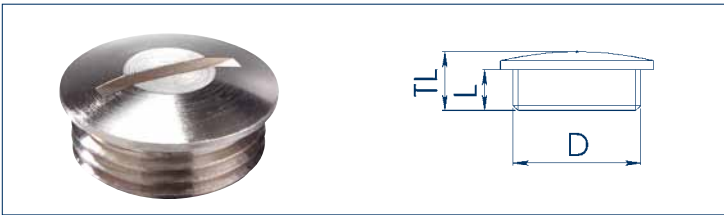
Brass counter nuts / PG threading



Material: Nickel-plated brass

Type	Cat. no.	Qty.	TL, mm	Spanner width AF, mm
S/PG 7-MS	4535.8	100	2.8	15
S/PG 9-MS	4536.8	100	2.8	18
S/PG 11-MS	4537.8	100	3	21
S/PG 13.5-MS	4538.8	100	3	23
S/PG 16-MS	4539.8	100	3	26
S/PG 21-MS	4540.8	100	3.5	32
S/PG 29-MS	4541.8	100	4	41
S/PG 36-MS	4542.8	50	5	51
S/PG 42-MS	4543.8	50	5	60
S/PG 48-MS	4544.8	50	5.5	64

Brass screw plugs / PG threading



Material: Nickel-plated brass, Protection: IP 54,

Type	Cat. no.	Qty.	Head ø mm	Thread length L, mm	TL, mm
V/PG 7-MS	4535.6	100	14	5	8
V/PG 9-MS	4536.6	100	17	6	9
V/PG 11-MS	4537.6	100	20	6	9
V/PG 13.5-MS	4538.6	100	22	6.5	9.5
V/PG 16-MS	4539.6	100	24	6.5	9.5
V/PG 21-MS	4540.6	100	30	7	11
V/PG 29-MS	4541.6	50	39	8	12
V/PG 36-MS	4542.6	25	50	9	15
V/PG 42-MS	4543.6	25	57	10	16
V/PG 48-MS	4544.6	10	64	10	16

Types and catalogue numbers *alphabetic*

Type	Cat. no.	Page	Type	Cat. no.	Page	Type	Cat. no.	Page
A			CG-PC 1608/85 OVT	31047.2	12	CK 1813/90 OVT	31115.3	23
AG/CK 1811-CK 3625	4512.3	27	CG-PC 1612/90 OVT	31048.2	13	CK 1818/111 MV	4352.3	24
AG/CK 77-CK 1809	4512.2	27	CG-PC 1612/90 OVT	31049.2	13	CK 1818/111 MVT	4353.3	24
AG/CM/CT (pair)	4510.3	60	CG-PC 2012/75 OV	31050.2	13	CK 1818/111 OV	4273.3	24
AG/CP/CA (pair)	4509.6	51	CG-PC 2012/75 OVT	31051.2	13	CK 1818/111 OVT	4275.3	24
AG/CP/CA (pair)	4509.6	74	CG-PC 2012/90 OV	31052.2	14	CK 1818/165 MV	4354.3	24
B			CG-PC 2012/90 OVT	31053.2	14	CK 1818/165 MVT	4355.3	24
BS M 3X5	4556.0	51	CG-PC 2015/90 OV	31054.2	14	CK 1818/165 OV	4277.3	24
BS M 4X5	4557.0	51	CG-PC 2015/90 OVT	31055.2	14	CK 1818/165 OVT	4279.3	24
BS M 4X5	4557.0	74	CG-PC 2516/120 OV	31058.2	15	CK 1818/90 MV	4350.3	24
BS M 6X8	4558.0	51	CG-PC 2516/120 OVT	31059.2	15	CK 1818/90 MVT	4351.3	24
BS M 6X8	4558.0	74	CG-PC 2516/90 OV	31056.2	15	CK 1818/90 OV	4269.3	24
C			CG-PC 2516/90 OVT	31057.2	15	CK 1818/90 OVT	4271.3	24
CA 122/80	4007.0	65	CG-PC 3023/110 OV	31062.2	16	CK 2518/111 MV	4362.3	25
CA 125/57	4004.0	65	CG-PC 3023/110 OVT	31063.2	16	CK 2518/111 MVT	4363.3	25
CA 150/34	4005.0	66	CG-PC 3023/90 OV	31061.2	16	CK 2518/111 OVT	4289.3	25
CA 160/90	4010.0	66	CG-PC 88/55 OV	31032.2	9	CK 2518/111 OVT	4291.3	25
CA 175/57	4006.0	67	CG-PC 88/55 OVT	31033.2	9	CK 2518/165 MV	4364.3	25
CA 200/110	4016.0	67	CG-PC 88/85 OV	31034.2	9	CK 2518/165 MVT	4365.3	25
CA 220/80	4008.0	68	CG-PC 88/85 OVT	31035.2	9	CK 2518/165 OVT	4295.3	25
CA 220/90	4009.0	68	CK 1111/66 MV	4328.3	20	CK 2518/215 OV	4297.3	25
CA 250/52	4014.0	69	CK 1111/66 MVT	4329.3	20	CK 2518/215 OVT	4299.3	25
CA 260/90	4011.0	69	CK 1111/66 OV	4225.3	20	CK 2518/63 MV	4356.3	24
CA 280/100	4438.0	70	CK 1111/66 OVT	4227.3	20	CK 2518/63 MVT	4357.3	24
CA 280/110	4017.0	70	CK 1111/90 MV	4330.3	20	CK 2518/63 OV	4194.3	24
CA 330/110	4018.0	71	CK 1111/90 MVT	4331.3	20	CK 2518/63 OVT	4195.3	24
CA 330/180	4019.0	71	CK 1111/90 OV	4229.3	20	CK 2518/84 MV	4358.3	24
CA 360/80	4015.0	72	CK 1309/57 MV	4231.3	20	CK 2518/84 MVT	4359.3	24
CA 360/90	4012.0	72	CK 1309/57 MVT	4332.3	21	CK 2518/84 OV	4196.3	24
CA 50/30	4000.0	63	CK 1309/57 OV	4333.3	21	CK 2518/84 OVT	4197.3	24
CA 560/90	4013.0	73	CK 1309/57 OVT	4235.3	21	CK 2518/90 MV	4360.3	25
CA 58/34	4001.0	63	CK 1309/81 MV	4334.3	21	CK 2518/90 MVT	4361.3	25
CA 75/57	4003.0	64	CK 1309/81 MVT	4335.3	21	CK 2518/90 OV	4285.3	25
CA 98/34	4002.0	64	CK 1309/81 OV	4237.3	21	CK 2518/90 OVT	4287.3	25
CG 1208/55 OV	31004.3	10	CK 1309/81 OVT	4239.3	21	CK 2518/165 OV	4293.3	25
CG 1208/55 OVT	31005.3	10	CK 1313/75 MV	4336.3	21	CK 3625/111 MV	4366.3	26
CG 1208/85 OV	31006.3	10	CK 1313/75 MVT	4337.3	21	CK 3625/111 OVT	4301.3	26
CG 1208/85 OVT	31007.3	10	CK 1313/75 OV	4241.3	21	CK 3625/111 OVT	4303.3	26
CG 1212/55 OV	31008.3	11	CK 1313/75 OVT	4243.3	21	CK 3625/165 MV	4368.3	26
CG 1212/55 OVT	31009.3	11	CK 1313/99 MV	4243.3	21	CK 3625/165 MVT	4369.3	26
CG 1212/85 OV	31010.3	11	CK 1313/99 MVT	4338.3	21	CK 3625/165 OV	4305.3	26
CG 1212/85 OVT	31011.3	11	CK 1313/99 OV	4339.3	21	CK 3625/165 OVT	4307.3	26
CG 1608/55 OV	31012.3	12	CK 1313/99 OVT	4245.3	21	CK 77/57 MV	4316.3	19
CG 1608/55 OVT	31013.3	12	CK 1809/57 MV	4247.3	21	CK 77/57 MVT	4317.3	19
CG 1608/85 OV	31014.3	12	CK 1809/57 MVT	4340.3	22	CK 77/57 OV	4201.3	19
CG 1608/85 OVT	31015.3	12	CK 1809/57 OV	4341.3	22	CK 77/57 OVT	4203.3	19
CG 1612/90 OV	31016.3	13	CK 1809/57 OVT	4249.3	22	CK 77/81 MV	4318.3	19
CG 1612/90 OVT	31017.3	13	CK 1809/81 MV	4251.3	22	CK 77/81 MVT	4319.3	19
CG 2012/75 OV	31018.3	13	CK 1809/81 MVT	4342.3	22	CK 77/81 OV	4205.3	19
CG 2012/75 OVT	31019.3	13	CK 1809/81 OV	4343.3	22	CK 77/81 OVT	4207.3	19
CG 2012/90 OV	31020.3	14	CK 1809/81 OVT	4253.3	22	CK 97/57 MV	4320.3	19
CG 2012/90 OVT	31021.3	14	CK 1811/111 MV	4255.3	22	CK 97/57 MVT	4321.3	19
CG 2015/90 OV	31022.3	14	CK 1811/111 MVT	4346.3	22	CK 97/57 OV	4209.3	19
CG 2015/90 OVT	31023.3	14	CK 1811/111 OV	4347.3	22	CK 97/57 OVT	4211.3	19
CG 2516/120 OV	31026.3	15	CK 1811/165 MV	4261.3	22	CK 97/81 MV	4322.3	19
CG 2516/120 OVT	31027.3	15	CK 1811/165 MVT	4263.3	22	CK 97/81 MVT	4323.3	19
CG 2516/90 OV	31024.3	15	CK 1811/165 OV	4348.3	22	CK 97/81 OV	4213.3	19
CG 2516/90 OVT	31025.3	15	CK 1811/165 OVT	4349.3	22	CK 97/81 OVT	4215.3	19
CG 3023/110 OV	31030.3	16	CK 1811/165 OV	4265.3	22	CK 99/57 MV	4324.3	20
CG 3023/110 OVT	31031.3	16	CK 1811/90 MV	4267.3	22	CK 99/57 MVT	4325.3	20
CG 3023/90 OV	31028.3	16	CK 1811/90 MVT	4344.3	22	CK 99/57 OV	4217.3	20
CG 3023/90 OVT	31029.3	16	CK 1811/90 OV	4345.3	22	CK 99/57 OVT	4219.3	20
CG 88/55 OV	31000.3	9	CK 1811/90 OVT	4257.3	22	CK 99/81 MV	4326.3	20
CG 88/55 OVT	31001.3	9	CK 1813/111 MV	4259.3	22	CK 99/81 MVT	4327.3	20
CG 88/85 OV	31002.3	9	CK 1813/111 MVT	31100.3	23	CK 99/81 OV	4221.3	20
CG 88/85 OVT	31003.3	9	CK 1813/111 OV	31101.3	23	CK 99/81 OVT	4223.3	20
CG-PC 1208/55 OV	31036.2	10	CK 1813/111 OVT	31103.3	23	CK-PC 1111/66 MV	4384.2	31
CG-PC 1208/55 OVT	31037.2	10	CK 1813/165 MV	31104.3	23	CK-PC 1111/66 MVT	4385.2	31
CG-PC 1208/85 OV	31038.2	10	CK 1813/165 MVT	31106.3	23	CK-PC 1111/90 MV	4386.2	31
CG-PC 1208/85 OVT	31039.2	10	CK 1813/165 OV	31105.3	23	CK-PC 1111/90 MVT	4387.2	31
CG-PC 1212/55 OV	31040.2	11	CK 1813/165 OVT	31107.3	23	CK-PC 1309/57 MV	4388.2	31
CG-PC 1212/55 OVT	31041.2	11	CK 1813/63 MV	31108.3	23	CK-PC 1309/57 MVT	4389.2	31
CG-PC 1212/85 OV	31042.2	11	CK 1813/63 OVT	31110.3	23	CK-PC 1309/81 MV	4390.2	31
CG-PC 1212/85 OVT	31043.2	11	CK 1813/84 MV	31111.3	23	CK-PC 1309/81 MVT	4391.2	31
CG-PC 1608/55 OV	31044.2	12	CK 1813/84 OVT	31113.3	23	CK-PC 1313/75 MV	4392.2	32
CG-PC 1608/55 OVT	31045.2	12	CK 1813/90 MV	31111.3	23	CK-PC 1313/75 MVT	4393.2	32
CG-PC 1608/85 OV	31046.2	12	CK 1813/90 MVT	31112.3	23	CK-PC 1313/99 MV	4394.2	32
			CK 1813/90 OV	31114.3	23	CK-PC 1313/99 MVT	4395.2	32
				31113.3	23	CK-PC 1809/57 MV	4396.2	32

Types and catalogue numbers *alphabetic*

Type	Cat. no.	Page	Type	Cat. no.	Page	Type	Cat. no.	Page
CK-PC 1809/57 MVT	4397.2	32	CM 82/8	4042.2	54	KV/M 75 x 1,5-MS	4177.2	78
CK-PC 1809/81 MV	4398.2	32	CM 82/8/DT	4062.2	54	KV/Mex-e 16 x 1,5	17500.4	76
CK-PC 1809/81 MVT	4399.2	32	CP 110/55	4021.1	43	KV/Mex-e 20 x 1,5	17501.4	76
CK-PC 1811/111 MV	4402.2	33	CP 110/75	4434.1	43	KV/Mex-e 25 x 1,5	17502.4	76
CK-PC 1811/111 MVT	4403.2	33	CP 122/90	4024.1	44	KV/Mex-e 32 x 1,5	17503.4	76
CK-PC 1811/165 MV	4404.2	33	CP 160/55	4022.1	44	KV/Mex-e 40 x 1,5	17504.4	76
CK-PC 1811/165 MVT	4405.2	33	CP 160/75	4435.1	45	KV/Mex-e 50 x 1,5	17505.4	76
CK-PC 1811/90 MV	4400.2	33	CP 160/90	4025.1	45	KV/Mex-e 63 x 1,5	17506.4	76
CK-PC 1811/90 MVT	4401.2	33	CP 190/55	4023.1	46	KV/Mex-i 16 x 1,5	17500.5	76
CK-PC 1813/111 MV	31116.2	34	CP 190/75	4436.1	46	KV/Mex-i 20 x 1,5	17501.5	76
CK-PC 1813/111 MVT	31117.2	34	CP 220/90	4026.1	47	KV/Mex-i 25 x 1,5	17502.5	76
CK-PC 1813/165 MV	31118.2	34	CP 230/55	4437.1	47	KV/Mex-i 32 x 1,5	17503.5	76
CK-PC 1813/165 MVT	31119.2	34	CP 230/75	4198.1	48	KV/Mex-i 40 x 1,5	17504.5	76
CK-PC 1813/63 MV	31120.2	33	CP 255/120	4029.1	48	KV/Mex-i 50 x 1,5	17505.5	76
CK-PC 1813/84 MV	31121.2	33	CP 260/90	4027.1	49	KV/Mex-i 63 x 1,5	17505.5	76
CK-PC 1813/90 MV	31122.2	34	CP 360/90	4028.1	49	KV/M-L 12 x 1,5	17599.2	76
CK-PC 1813/90 MVT	31123.2	34	CP 400/120	4030.1	50	KV/M-L 16 x 1,5	17600.2	76
CK-PC 1818/111 MV	4408.2	34	CP 400/120-2	4031.1	50	KV/M-L 20 x 1,5	17601.2	76
CK-PC 1818/111 MVT	4409.2	34	CP 55/37	4432.1	41	KV/M-L 25 x 1,5	17602.2	76
CK-PC 1818/165 MV	4410.2	34	CP 55/59	4433.1	41	KV/M-L 32 x 1,5	17603.2	76
CK-PC 1818/165 MVT	4411.2	34	CP 80/55	4020.1	42	KV/M-L 40 x 1,5	17604.2	76
CK-PC 1818/90 MV	4406.2	34	CP 80/75	4439.1	42	KV/M-L 50 x 1,5	17605.2	76
CK-PC 1818/90 MVT	4407.2	34	CT 120/5	4083.3	54	KV/M-L 63 x 1,5	17606.2	76
CK-PC 1818/90 MVT PV	4413.2	36	CT 120/8	4084.3	55	KV/PG 11	4517.2	81
CK-PC 2518/111 MV	4422.2	35	CT 122/5	4087.3	55	KV/PG 11-MS	4537.2	82
CK-PC 2518/111 MVT	4423.2	35	CT 122/8	4088.3	56	KV/PG 13,5	4518.2	81
CK-PC 2518/165 MV	4424.2	35	CT 160/5	4085.3	56	KV/PG 13,5-MS	4538.2	82
CK-PC 2518/165 MVT	4425.2	35	CT 160/8	4086.3	57	KV/PG 16	4519.2	81
CK-PC 2518/63 MV	4412.2	35	CT 200/12	4089.3	57	KV/PG 16-MS	4539.2	82
CK-PC 2518/63 MVT	4414.2	35	CT 200/15	4090.3	58	KV/PG 21	4520.2	81
CK-PC 2518/84 MV	4416.2	35	CT 240	4091.3	58	KV/PG 21-MS	4540.2	82
CK-PC 2518/84 MVT	4418.2	35	CT 240/12	4093.3	59	KV/PG 29	4521.2	81
CK-PC 2518/90 MV	4420.2	35	CT 240/9	4092.3	59	KV/PG 29-MS	4541.2	82
CK-PC 2518/90 MVT	4421.2	35	CT 52	4080.3	53	KV/PG 36	4522.2	81
CK-PC 2518/90 MVT PV	4426.2	37	CT 82/5	4081.3	53	KV/PG 36-MS	4542.2	82
CK-PC 3625/111 MV	4428.2	36	CT 82/8	4082.3	54	KV/PG 42	4523.2	81
CK-PC 3625/111 MVT	4429.2	36	D			KV/PG 42-MS	4543.2	82
CK-PC 3625/111 MVT PV	4427.2	37	DM/M16	4160.2	77	KV/PG 48	4524.2	81
CK-PC 3625/165 MV	4430.2	36	DM/M20	4161.2	77	KV/PG 48-MS	4544.2	82
CK-PC 3625/165 MVT	4431.2	36	DM/M25	4162.2	77	KV/PG 7	4515.2	81
CK-PC 75/35 MV	4370.2	29	DM/M32	4163.2	77	KV/PG 7-MS	4535.2	82
CK-PC 75/35 MVT	4371.2	29	D/M 12 BK	17760.4	79	KV/PG 9	4516.2	81
CK-PC 77/57 MV	4372.2	29	D/M 16 BK	17761.4	79	KV/PG 9-MS	4536.2	82
CK-PC 77/57 MVT	4373.2	29	D/M 20 BK	17762.4	79	KVC/M 12 x 1,5	4581.2	76
CK-PC 77/81 MV	4374.2	29	D/M 25 BK	17763.4	79	KVC/M 20 x 1,5	4583.2	76
CK-PC 77/81 MVT	4375.2	29	D/M 32 BK	17764.4	79	KVC/M 25 x 1,5	4584.2	76
CK-PC 97/57 MV	4376.2	30	D/M 40 BK	17765.4	79	KVC/M 32 x 1,5	4585.2	76
CK-PC 97/57 MVT	4377.2	30	D/M 50 BK	17766.4	79	KVC/M 50 x 1,5	4587.2	76
CK-PC 97/81 MV	4378.2	30	D/M 63 BK	17767.4	79	KVC/M 16 x 1,5	4582.2	76
CK-PC 97/81 MVT	4379.2	30	F			KVC/M 40 x 1,5	4586.2	76
CK-PC 99/57 MV	4380.2	30	FDM 12 GR	17632.6	78	KVC/M 63 x 1,5	4588.2	76
CK-PC 99/57 MVT	4381.2	30	FDM 16 GR	17633.6	78	KVC/PG 11	4527.2	81
CK-PC 99/81 MV	4382.2	30	FDM 20 GR	17634.6	78	KVC/PG 13,5	4528.2	81
CK-PC 99/81 MVT	4383.2	30	FDM 25 GR	17635.6	78	KVC/PG 16	4529.2	81
CM 120/5	4043.2	54	FDM 32 GR	17636.6	78	KVC/PG 21	4530.2	81
CM 120/5/DT	4063.2	54	FDM 40 GR	17637.6	78	KVC/PG 29	4531.2	81
CM 120/8	4044.2	55	FDM 50 GR	17638.6	78	KVC/PG 36	4532.2	81
CM 120/8/DT	4064.2	55	I			KVC/PG 42	4533.2	81
CM 122/5	4047.2	55	IG/CG	31080.2	17	KVC/PG 48	4534.2	81
CM 122/5/DT	4067.2	55	K			KVC/PG 7	4525.2	81
CM 122/8	4048.2	56	KV/M 12 x 1,5	4573.2	76	KVC/PG 9	4526.2	81
CM 122/8/DT	4068.2	56	KV/M 12 x 1,5-MS	4169.2	78	MP/220/8/9	4501.7	74
CM 160/5	4045.2	56	KV/M 20 x 1,5	4575.2	76	MP/A 122	4500.5	74
CM 160/5/DT	4065.2	56	KV/M 20 x 1,5-MS	4171.2	78	MP/A 125	4500.9	74
CM 160/8	4046.2	57	KV/M 25 x 1,5	4576.2	76	MP/A 160	4501.9	74
CM 160/8/DT	4066.2	57	KV/M 25 x 1,5-MS	4172.2	78	MP/A 175	4501.3	74
CM 200/12	4049.2	57	KV/M 32 x 1,5	4577.2	76	MP/A 2023	4512.6	74
CM 200/12/DT	4069.2	57	KV/M 32 x 1,5-MS	4173.2	78	MP/A 260	4502.1	74
CM 200/15	4050.2	58	KV/M 50 x 1,5	4579.2	76	MP/A 280	4571.0	74
CM 200/15/DT	4070.2	58	KV/M 50 x 1,5-MS	4175.2	78	MP/A 2823	4512.7	74
CM 240	4051.2	58	KV/M 16 x 1,5	4574.2	76	MP/A 3323	4512.8	74
CM 240/12	4053.2	59	KV/M 16 x 1,5-MS	4170.2	78	MP/A 360	4502.3	74
CM 240/12/DT	4073.2	59	KV/M 40 x 1,5	4578.2	76	MP/A 362	4512.5	74
CM 240/9	4052.2	59	KV/M 40 x 1,5-MS	4174.2	78	MP/A 560	4502.5	74
CM 240/9/DT	4072.2	59	KV/M 63 x 1,5	4580.2	76	MP/A 75	4500.7	74
CM 240/DT	4071.2	58	KV/M 63 x 1,5-MS	4176.2	78	MP/CG 1208	31071.2	17
CM 52	4040.2	53				MP/CG 1212	31072.2	17
CM 52/DT	4060.2	53				MP/CG 1608	31073.2	17
CM 82/5	4041.2	53						
CM 82/5/DT	4061.2	53						

Types and catalogue numbers *alphabetic*

Type	Cat. no.	Page	Type	Cat. no.	Page	Type	Cat. no.	Page
MP/CG 1612	31074.2	17	S/PG 7	4515.8	81	V/M 50 x 1,5	4595.2	77
MP/CG 2012	31075.2	17	S/PG 7-MS	4535.8	82	V/M 50 x 1,5-MS	4184.2	79
MP/CG 2015	31076.2	17	S/PG 9	4516.8	81	V/M 16 x 1,5	4590.2	77
MP/CG 2516	31077.2	17	S/PG 9-MS	4536.8	82	V/M 16 x 1,5-MS	4179.2	79
MP/CG 3023	31078.2	17	SN/M20	4148.2	77	V/M 40 x 1,5	4594.2	77
MP/CG 88	31070.2	17	SN/M25	4149.2	77	V/M 40 x 1,5-MS	4183.2	79
MP/CK 1111	4511.3	27	SN/M32	4150.2	77	V/M 63 x 1,5	4596.2	77
MP/CK 1309	4511.4	27	SN/M40	4151.2	77	V/M 63 x 1,5-MS	4185.2	79
MP/CK 1313	4511.5	27				V/PG 11	4517.6	81
MP/CK 1809	4511.6	27				V/PG 11-MS	4537.6	82
MP/CK 1811	4511.7	27	T			V/PG 13,5	4518.6	81
MP/CK 1813	4563.4	27	TS 15/104/CG mm long	31092.0	17	V/PG 13,5-MS	4538.6	82
MP/CK 1818	4511.8	27	TS 15/106 mm long	4559.4	27	V/PG 16	4519.6	81
MP/CK 2518	4511.9	27	TS 15/106 mm long	4559.4	51	V/PG 16-MS	4539.6	82
MP/CK 3625	4512.0	27	TS 15/108/CG mm long	31093.0	17	V/PG 21	4520.6	81
MP/CK 75	4563.3	38	TS 15/110 mm long	4510.8	60	V/PG 21-MS	4540.6	82
MP/CK 77	4511.0	27	TS 15/110 mm long	4510.8	74	V/PG 29	4521.6	81
MP/CK 97	4511.1	27	TS 15/144 mm long	4508.7	60	V/PG 29-MS	4541.6	82
MP/CK 99	4511.2	27	TS 15/144/CG mm long	31094.0	17	V/PG 36	4522.6	81
MP/M-T/120	4505.0	60	TS 15/147 mm long	4559.6	27	V/PG 36-MS	4542.6	82
MP/M-T/122	4505.4	60	TS 15/148 mm long	4508.0	51	V/PG 42	4523.6	81
MP/M-T/160	4505.2	60	TS 15/160 mm long	4507.0	74	V/PG 42-MS	4543.6	82
MP/M-T/200/12	4505.6	60	TS 15/168/CG mm long	31096.0	17	V/PG 48	4524.6	81
MP/M-T/200/15	4505.8	60	TS 15/178 mm long	4508.1	51	V/PG 48-MS	4544.6	82
MP/M-T/240	4506.0	60	TS 15/184/CG mm long	31095.0	17	V/PG 7	4515.6	81
MP/M-T/52	4504.6	60	TS 15/188 mm long	4508.9	60	V/PG 7-MS	4535.6	82
MP/M-T/82	4504.8	60	TS 15/220/CG mm long	31097.0	17	V/PG 9	4516.6	81
MP/P 110	4500.3	51	TS 15/283,5/CG mm long	31098.0	17	V/PG 9-MS	4536.6	82
MP/P 122	4503.0	51	TS 15/42 mm long	4567.0	51	VBS 10 RD	17673.9	80
MP/P 160/5	4501.1	51	TS 15/45 mm long	4559.0	27	VBS 13 RD	17675.9	80
MP/P 160/9	4503.2	51	TS 15/61 mm long	4510.7	74	VBS 14 RD	17676.9	80
MP/P 190	4502.8	51	TS 15/66/CG mm long	31091.0	17	VBS 20 RD	17678.9	80
MP/P 220	4503.4	51	TS 15/68 mm long	4507.8	51	VBS 21 RD	17679.9	80
MP/P 260	4503.6	51	TS 15/68 mm long	4507.8	60	VBS 25 RD	17680.9	80
MP/P 360	4503.8	51	TS 15/75 mm long	4559.1	27	VBS 28 RD	17681.9	80
MP/P 400/2	4504.2	51	TS 15/87 mm long	4559.2	27	VBS 3 RD	17666.9	80
MP/P 400/4	4504.4	51	TS 15/87 mm long	4559.2	74	VBS 38 RD	17683.9	80
			TS 15/98 mm long	4507.9	51	VBS 4 RD	17667.9	80
S			TS 35/104/CG mm long	31082.0	17	VBS 48 RD	17684.9	80
S/M 12 x 1,5	4140.2	77	TS 35/106 mm long	4559.5	27	VBS 5 RD	17668.9	80
S/M 12 x 1,5-MS	4186.2	79	TS 35/106 mm long	4559.5	74	VBS 6 RD	17669.9	80
S/M 12-MS/EMV	17728.2	79	TS 35/108/CG mm long	31083.0	17	VBS 63 RD	17685.9	80
S/M 20 x 1,5	4142.2	77	TS 35/112 mm long	4508.8	60	VBS 8 RD	17671.9	80
S/M 20 x 1,5-MS	4188.2	79	TS 35/144 mm long	4507.4	27	VBS 9 RD	17672.9	80
S/M 20-MS/EMV	17730.2	79	TS 35/144 mm long	4507.4	51	VBS 12 RD	17674.9	80
S/M 25 x 1,5	4143.2	77	TS 35/144 mm long	4507.4	74	VBS 17 RD	17677.9	80
S/M 25 x 1,5-MS	4189.2	79	TS 35/144/CG mm long	31084.0	17	VBS 2 RD	17665.9	80
S/M 25-MS/EMV	17731.2	79	TS 35/160 mm long	4510.9	74	VBS 35 RD	17682.9	80
S/M 32 x 1,5	4144.2	77	TS 35/168/CG mm long	31086.0	17	VBS 7 RD	17670.9	80
S/M 32 x 1,5-MS	4190.2	79	TS 35/184/CG mm long	31085.0	17	VEE-MS 12-05	17720.2	79
S/M 32-MS/EMV	17732.2	79	TS 35/186 mm long	4560.1	74	VEE-MS 18-09	17722.2	79
S/M 50 x 1,5	4146.2	77	TS 35/188 mm long	4509.0	60	VEE-MS 24-16	17723.2	79
S/M 50 x 1,5-MS	4192.2	79	TS 35/208 mm long	4507.3	51	VEE-MS 36-20	17724.2	79
S/M 50-MS/EMV	17734.2	79	TS 35/208 mm long	4507.3	74	VEE-MS 45-33	17726.2	79
S/M 16 x 1,5	4141.2	77	TS 35/214 mm long	4569.0	51	VEE-MS 16-07	17721.2	79
S/M 16 x 1,5-MS	4187.2	79	TS 35/220/CG mm long	31087.0	17	VEE-MS 36-26	17725.2	79
S/M 16-MS/EMV	17729.2	79	TS 35/230 mm long	4509.1	60	VEE-MS 56-45	17727.2	79
S/M 40 x 1,5	4145.2	77	TS 35/235 mm long	4508.4	51	VEM 12/16	17607.2	76
S/M 40 x 1,5-MS	4191.2	79	TS 35/240 mm long	4508.2	51	VEM 16/20	17608.2	76
S/M 40-MS/EMV	17733.2	79	TS 35/248 mm long	4507.5	74	VEM 20/25	17609.2	76
S/M 63 x 1,5	4147.2	77	TS 35/264 mm long	4570.0	74	VEM 25/32	17610.2	76
S/M 63 x 1,5-MS	4193.2	79	TS 35/283,5/CG mm long	31088.0	17	VEM 32/40	17611.2	76
S/M 63-MS/EMV	17735.2	79	TS 35/314 mm long	4560.3	74	VEM 40/50	17612.2	76
S/M 75 x 1,5-MS	17737.2	79	TS 35/314 mm long	4560.3	74	VEM 50/63	17613.2	76
S/PG 11	4517.8	81	TS 35/336 mm long	4559.8	27	VEM-MS 16/20	17701.2	78
S/PG 11-MS	4537.8	82	TS 35/338 mm long	4507.6	74	VEM-MS 20/25	17702.2	78
S/PG 13,5	4518.8	81	TS 35/340 mm long	4508.3	51	VEM-MS 25/32	17703.2	78
S/PG 13,5-MS	4538.8	82	TS 35/348 mm long	4572.0	74	VEM-MS 32/40	17704.2	78
S/PG 16	4519.8	81	TS 35/384 mm long	4508.5	51	VEM-MS 50/63	17706.2	78
S/PG 16-MS	4539.8	82	TS 35/545 mm long	4507.7	74	VEM-MS 12/16	17700.2	78
S/PG 21	4520.8	81	TS 35/66/CG mm long	31081.0	17	VEM-MS 40/50	17705.2	78
S/PG 21-MS	4540.8	82	TS 35/87 mm long	4559.3	27	VMD 12/04/020	17647.4	80
S/PG 29	4521.8	81	V			VMD 16/02/040	17648.4	80
S/PG 29-MS	4541.8	82	V/M 12 x 1,5	4589.2	77	VMD 20/02/060	17649.4	80
S/PG 36	4522.8	81	V/M 12 x 1,5-MS	4178.2	79	VMD 20/02/065	17650.4	80
S/PG 36-MS	4542.8	82	V/M 20 x 1,5	4591.2	77	VMD 20/03/040	17651.4	80
S/PG 42	4523.8	81	V/M 20 x 1,5-MS	4180.2	79	VMD 25/01/065	17652.4	80
S/PG 42-MS	4543.8	82	V/M 25 x 1,5	4592.2	77	VMD 25/02/060	17653.4	80
S/PG 48	4524.8	81	V/M 25 x 1,5-MS	4181.2	79	VMD 25/02/070	17654.4	80
S/PG 48-MS	4544.8	82	V/M 32 x 1,5	4593.2	77	VMD 25/02/080	17655.4	80
			V/M 32 x 1,5-MS	4182.2	79			

Types and catalogue numbers *alphanumeric*

Type	Cat. no.	Page	Type	Cat. no.	Page	Type	Cat. no.	Page
VMD 25/03/070	17656.4	80						
VMD 25/04/060	17657.4	80						
VMD 32/04/070	17658.4	80						
VMD 32/04/080	17659.4	80						
VMD 32/06/060	17660.4	80						
VMD 40/07/070	17661.4	80						
VMD 40/07/080	17662.4	80						
VMD 40/08/060	17663.4	80						
VMD 50/09/080	17664.4	80						
VRDE 12	17639.4	79						
VRDE 16	17640.4	79						
VRDE 20	17641.4	79						
VRDE 25	17642.4	79						
VRDE 32	17643.4	79						
VRDE 40	17644.4	79						
VRDE 50	17645.4	79						
VRDE 63	17646.4	79						
VRM 16/12	17614.2	77						
VRM 20/12	17615.2	77						
VRM 20/16	17616.2	77						
VRM 25/12	17617.2	77						
VRM 25/16	17618.2	77						
VRM 25/20	17619.2	77						
VRM 32/16	17620.2	77						
VRM 32/20	17621.2	77						
VRM 32/25	17622.2	77						
VRM 40/20	17623.2	77						
VRM 40/25	17624.2	77						
VRM 40/32	17625.2	77						
VRM 50/25	17626.2	77						
VRM 50/32	17627.2	77						
VRM 50/40	17628.2	77						
VRM 63/32	17629.2	77						
VRM 63/40	17630.2	77						
VRM 63/50	17631.2	77						
VRM-MS 20/12	17708.2	78						
VRM-MS 20/16	17709.2	78						
VRM-MS 25/16	17710.2	78						
VRM-MS 32/20	17712.2	78						
VRM-MS 40/25	17714.2	78						
VRM-MS 40/32	17715.2	78						
VRM-MS 50/32	17716.2	78						
VRM-MS 50/40	17717.2	78						
VRM-MS 63/40	17718.2	78						
VRM-MS 63/50	17719.2	78						
VRM-MS 16/12	17707.2	78						
VRM-MS 25/20	17711.2	78						
VRM-MS 32/25	17713.2	78						
VS/M16	4164.2	78						
VS/M20	4165.2	78						
VS/M25	4166.2	78						
VS/M32	4167.2	78						
VS/M40	4168.2	78						
W								
WL/CG	31079.2	17						
WL/CK	4512.1	27						
WL/CM/CT	4510.2	60						
WL/CP/CA kurz	4509.3	51						
WL/CP/CA kurz	4509.3	74						
WL/CP/CA long	4509.4	51						
WL/CP/CA long	4509.4	74						

Catalogue numbers and types *numerical*

Cat. no.	Type	Page	Cat. no.	Type	Page	Cat. no.	Type	Page
4			4144.2	S/M 32 x 1,5	77	4267.3	CK 1811/165 OVT	22
4000.0	CA 50/30	63	4145.2	S/M 40 x 1,5	77	4269.3	CK 1818/90 OV	24
4001.0	CA 58/34	63	4146.2	S/M 50 x 1,5	77	4271.3	CK 1818/90 OVT	24
4002.0	CA 98/34	64	4147.2	S/M 63 x 1,5	77	4273.3	CK 1818/111 OV	24
4003.0	CA 75/57	64	4148.2	SN/M20	77	4275.3	CK 1818/111 OVT	24
4004.0	CA 125/57	65	4149.2	SN/M25	77	4277.3	CK 1818/165 OV	24
4005.0	CA 150/34	66	4150.2	SN/M32	77	4279.3	CK 1818/165 OVT	24
4006.0	CA 175/57	67	4151.2	SN/M40	77	4285.3	CK 2518/90 OV	25
4007.0	CA 122/80	65	4160.2	DM/M16	77	4287.3	CK 2518/90 OVT	25
4008.0	CA 220/80	68	4161.2	DM/M20	77	4289.3	CK 2518/111 OV	25
4009.0	CA 220/90	68	4162.2	DM/M25	77	4291.3	CK 2518/111 OVT	25
4010.0	CA 160/90	66	4163.2	DM/M32	77	4293.3	CK 2518/165 OV	25
4011.0	CA 260/90	69	4164.2	VS/M16	78	4295.3	CK 2518/165 OVT	25
4012.0	CA 360/90	72	4165.2	VS/M20	78	4297.3	CK 2518/215 OV	25
4013.0	CA 560/90	73	4166.2	VS/M25	78	4299.3	CK 2518/215 OVT	25
4014.0	CA 250/52	69	4167.2	VS/M32	78	4301.3	CK 3625/111 OV	26
4015.0	CA 360/80	72	4168.2	VS/M40	78	4303.3	CK 3625/111 OVT	26
4016.0	CA 200/110	67	4169.2	KV/M 12 x 1,5-MS	78	4305.3	CK 3625/165 OV	26
4017.0	CA 280/110	70	4170.2	KV/M 16 x 1,5-MS	78	4307.3	CK 3625/165 OVT	26
4018.0	CA 330/110	71	4171.2	KV/M 20 x 1,5-MS	78	4316.3	CK 77/57 MV	19
4019.0	CA 330/180	71	4172.2	KV/M 25 x 1,5-MS	78	4317.3	CK 77/57 MVT	19
4020.1	CP 80/55	42	4173.2	KV/M 32 x 1,5-MS	78	4318.3	CK 77/81 MV	19
4021.1	CP 110/55	43	4174.2	KV/M 40 x 1,5-MS	78	4319.3	CK 77/81 MVT	19
4022.1	CP 160/55	44	4175.2	KV/M 50 x 1,5-MS	78	4320.3	CK 97/57 MV	19
4023.1	CP 190/55	46	4176.2	KV/M 63 x 1,5-MS	78	4321.3	CK 97/57 MVT	19
4024.1	CP 122/90	44	4177.2	KV/M 75 x 1,5-MS	78	4322.3	CK 97/81 MV	19
4025.1	CP 160/90	45	4178.2	V/M 12 x 1,5-MS	79	4323.3	CK 97/81 MVT	19
4026.1	CP 220/90	47	4179.2	V/M 16 x 1,5-MS	79	4324.3	CK 99/57 MV	20
4027.1	CP 260/90	49	4180.2	V/M 20 x 1,5-MS	79	4325.3	CK 99/57 MVT	20
4028.1	CP 360/90	49	4181.2	V/M 25 x 1,5-MS	79	4326.3	CK 99/81 MV	20
4029.1	CP 255/120	48	4182.2	V/M 32 x 1,5-MS	79	4327.3	CK 99/81 MVT	20
4030.1	CP 400/120	50	4183.2	V/M 40 x 1,5-MS	79	4328.3	CK 1111/66 MV	20
4031.1	CP 400/120-2	50	4184.2	V/M 50 x 1,5-MS	79	4329.3	CK 1111/66 MVT	20
4040.2	CM 52	53	4185.2	V/M 63 x 1,5-MS	79	4330.3	CK 1111/90 MV	20
4041.2	CM 82/5	53	4186.2	S/M 12 x 1,5-MS	79	4331.3	CK 1111/90 MVT	20
4042.2	CM 82/8	54	4187.2	S/M 16 x 1,5-MS	79	4332.3	CK 1309/57 MV	21
4043.2	CM 120/5	54	4188.2	S/M 20 x 1,5-MS	79	4333.3	CK 1309/57 MVT	21
4044.2	CM 120/8	55	4189.2	S/M 25 x 1,5-MS	79	4334.3	CK 1309/81 MV	21
4045.2	CM 160/5	56	4190.2	S/M 32 x 1,5-MS	79	4335.3	CK 1309/81 MVT	21
4046.2	CM 160/8	57	4191.2	S/M 40 x 1,5-MS	79	4336.3	CK 1313/75 MV	21
4047.2	CM 122/5	55	4192.2	S/M 50 x 1,5-MS	79	4337.3	CK 1313/75 MVT	21
4048.2	CM 122/8	56	4193.2	S/M 63 x 1,5-MS	79	4338.3	CK 1313/99 MV	21
4049.2	CM 200/12	57	4194.3	CK 2518/63 OV	24	4339.3	CK 1313/99 MVT	21
4050.2	CM 200/15	58	4195.3	CK 2518/63 OVT	24	4340.3	CK 1809/57 MV	22
4051.2	CM 240	58	4196.3	CK 2518/84 OV	24	4341.3	CK 1809/57 MVT	22
4052.2	CM 240/9	59	4197.3	CK 2518/84 OVT	24	4342.3	CK 1809/81 MV	22
4053.2	CM 240/12	59	4198.1	CP 230/75	48	4343.3	CK 1809/81 MVT	22
4060.2	CM 52/DT	53	4201.3	CK 77/57 OV	19	4344.3	CK 1811/90 MV	22
4061.2	CM 82/5/DT	53	4203.3	CK 77/57 OVT	19	4345.3	CK 1811/90 MVT	22
4062.2	CM 82/8/DT	54	4205.3	CK 77/81 OV	19	4346.3	CK 1811/111 MV	22
4063.2	CM 120/5/DT	54	4207.3	CK 77/81 OVT	19	4347.3	CK 1811/111 MVT	22
4064.2	CM 120/8/DT	55	4209.3	CK 97/57 OV	19	4348.3	CK 1811/165 MV	22
4065.2	CM 160/5/DT	56	4211.3	CK 97/57 OVT	19	4349.3	CK 1811/165 MVT	22
4066.2	CM 160/8/DT	57	4213.3	CK 97/81 OV	19	4350.3	CK 1818/90 MV	24
4067.2	CM 122/5/DT	55	4215.3	CK 97/81 OVT	19	4351.3	CK 1818/90 MVT	24
4068.2	CM 122/8/DT	56	4217.3	CK 99/57 OV	20	4352.3	CK 1818/111 MV	24
4069.2	CM 200/12/DT	57	4219.3	CK 99/57 OVT	20	4353.3	CK 1818/111 MVT	24
4070.2	CM 200/15/DT	58	4221.3	CK 99/81 OV	20	4354.3	CK 1818/165 MV	24
4071.2	CM 240/DT	58	4223.3	CK 99/81 OVT	20	4355.3	CK 1818/165 MVT	24
4072.2	CM 240/9/DT	59	4225.3	CK 1111/66 OV	20	4356.3	CK 2518/63 MV	24
4073.2	CM 240/12/DT	59	4227.3	CK 1111/66 OVT	20	4357.3	CK 2518/63 MVT	24
4080.3	CT 52	53	4229.3	CK 1111/90 OV	20	4358.3	CK 2518/84 MV	24
4081.3	CT 82/5	53	4231.3	CK 1111/90 OVT	20	4359.3	CK 2518/84 MVT	24
4082.3	CT 82/8	54	4233.3	CK 1309/57 OV	21	4360.3	CK 2518/90 MV	25
4083.3	CT 120/5	54	4235.3	CK 1309/57 OVT	21	4361.3	CK 2518/90 MVT	25
4084.3	CT 120/8	55	4237.3	CK 1309/81 OV	21	4362.3	CK 2518/111 MV	25
4085.3	CT 160/5	56	4239.3	CK 1309/81 OVT	21	4363.3	CK 2518/111 MVT	25
4086.3	CT 160/8	57	4241.3	CK 1313/75 OV	21	4364.3	CK 2518/165 MV	25
4087.3	CT 122/5	55	4243.3	CK 1313/75 OVT	21	4365.3	CK 2518/165 MVT	25
4088.3	CT 122/8	56	4245.3	CK 1313/99 OV	21	4366.3	CK 3625/111 MV	26
4089.3	CT 200/12	57	4247.3	CK 1313/99 OVT	21	4367.3	CK 3625/111 MVT	25
4090.3	CT 200/15	58	4249.3	CK 1809/57 OV	22	4368.3	CK 3625/165 MV	26
4091.3	CT 240	58	4251.3	CK 1809/57 OVT	22	4369.3	CK 3625/165 MVT	26
4092.3	CT 240/9	59	4253.3	CK 1809/81 OV	22	4370.2	CK-PC 75/35 MV	29
4093.3	CT 240/12	59	4255.3	CK 1809/81 OVT	22	4371.2	CK-PC 75/35 MVT	29
4140.2	S/M 12 x 1,5	77	4257.3	CK 1811/90 OV	22	4372.2	CK-PC 77/57 MV	29
4141.2	S/M 16 x 1,5	77	4259.3	CK 1811/90 OVT	22	4373.2	CK-PC 77/57 MVT	29
4142.2	S/M 20 x 1,5	77	4261.3	CK 1811/111 OV	22	4374.2	CK-PC 77/81 MV	29
4143.2	S/M 25 x 1,5	77	4263.3	CK 1811/111 OVT	22	4375.2	CK-PC 77/81 MVT	29
			4265.3	CK 1811/165 OV	22	4376.2	CK-PC 97/57 MV	30

Catalogue numbers and types numerical

Cat. no.	Type	Page	Cat. no.	Type	Page	Cat. no.	Type	Page
4377.2	CK-PC 97/57 MVT	30	4504.8	MP/M-T/82	60	4521.8	S/PG 29	81
4378.2	CK-PC 97/81 MV	30	4505.0	MP/M-T/120	60	4522.2	KV/PG 36	81
4379.2	CK-PC 97/81 MVT	30	4505.2	MP/M-T/160	60	4522.6	V/PG 36	81
4380.2	CK-PC 99/57 MV	30	4505.4	MP/M-T/122	60	4522.8	S/PG 36	81
4381.2	CK-PC 99/57 MVT	30	4505.6	MP/M-T/200/12	60	4523.2	KV/PG 42	81
4382.2	CK-PC 99/81 MV	30	4505.8	MP/M-T/200/15	60	4523.6	V/PG 42	81
4383.2	CK-PC 99/81 MVT	30	4506.0	MP/M-T/240	60	4523.8	S/PG 42	81
4384.2	CK-PC 1111/66 MV	31	4507.0	TS 15/160 mm long	74	4524.2	KV/PG 48	81
4385.2	CK-PC 1111/66 MVT	31	4507.3	TS 35/208 mm long	51	4524.6	V/PG 48	81
4386.2	CK-PC 1111/90 MV	31	4507.3	TS 35/208 mm long	74	4524.8	S/PG 48	81
4387.2	CK-PC 1111/90 MVT	31	4507.4	TS 35/144 mm long	27	4525.2	KVC/PG 7	81
4388.2	CK-PC 1309/57 MV	31	4507.4	TS 35/144 mm long	51	4526.2	KVC/PG 9	81
4389.2	CK-PC 1309/57 MVT	31	4507.4	TS 35/144 mm long	74	4527.2	KVC/PG 11	81
4390.2	CK-PC 1309/81 MV	31	4507.5	TS 35/248 mm long	74	4528.2	KVC/PG 13,5	81
4391.2	CK-PC 1309/81 MVT	31	4507.6	TS 35/338 mm long	74	4529.2	KVC/PG 16	81
4392.2	CK-PC 1313/75 MV	32	4507.7	TS 35/545 mm long	74	4530.2	KVC/PG 21	81
4393.2	CK-PC 1313/75 MVT	32	4507.8	TS 15/68 mm long	51	4531.2	KVC/PG 29	81
4394.2	CK-PC 1313/99 MV	32	4507.8	TS 15/68 mm long	60	4532.2	KVC/PG 36	81
4395.2	CK-PC 1313/99 MVT	32	4507.9	TS 15/98 mm long	51	4533.2	KVC/PG 42	81
4396.2	CK-PC 1809/57 MV	32	4508.0	TS 15/148 mm long	51	4534.2	KVC/PG 48	81
4397.2	CK-PC 1809/57 MVT	32	4508.1	TS 15/178 mm long	51	4535.2	KV/PG 7-MS	82
4398.2	CK-PC 1809/81 MV	32	4508.2	TS 35/240 mm long	51	4535.6	V/PG 7-MS	82
4399.2	CK-PC 1809/81 MVT	32	4508.3	TS 35/340 mm long	51	4535.8	S/PG 7-MS	82
4400.2	CK-PC 1811/90 MV	33	4508.4	TS 35/235 mm long	51	4536.2	KV/PG 9-MS	82
4401.2	CK-PC 1811/90 MVT	33	4508.5	TS 35/384 mm long	51	4536.6	V/PG 9-MS	82
4402.2	CK-PC 1811/111 MV	33	4508.7	TS 15/144 mm long	60	4536.8	S/PG 9-MS	82
4403.2	CK-PC 1811/111 MVT	33	4508.8	TS 35/112 mm long	60	4537.2	KV/PG 11-MS	82
4404.2	CK-PC 1811/165 MV	33	4508.9	TS 15/188 mm long	60	4537.6	V/PG 11-MS	82
4405.2	CK-PC 1811/165 MVT	33	4509.0	TS 35/188 mm long	60	4537.8	S/PG 11-MS	82
4406.2	CK-PC 1818/90 MV	34	4509.1	TS 35/230 mm long	60	4538.2	KV/PG 13,5-MS	82
4407.2	CK-PC 1818/90 MVT	34	4509.3	WL/CP/CA kurz	51	4538.6	V/PG 13,5-MS	82
4408.2	CK-PC 1818/111 MV	34	4509.3	WL/CP/CA kurz	74	4538.8	S/PG 13,5-MS	82
4409.2	CK-PC 1818/111 MVT	34	4509.4	WL/CP/CA long	51	4539.2	KV/PG 16-MS	82
4410.2	CK-PC 1818/165 MV	34	4509.4	WL/CP/CA long	74	4539.6	V/PG 16-MS	82
4411.2	CK-PC 1818/165 MVT	34	4509.6	AG/CP/CA (pair)	51	4539.8	S/PG 16-MS	82
4412.2	CK-PC 2518/63 MV	35	4509.6	AG/CP/CA (pair)	74	4540.2	KV/PG 21-MS	82
4413.2	CK-PC 1818/90 MVT PV	36	4510.2	WL/CM/CT	60	4540.6	V/PG 21-MS	82
4414.2	CK-PC 2518/63 MVT	35	4510.3	AG/CM/CT (pair)	60	4540.8	S/PG 21-MS	82
4416.2	CK-PC 2518/84 MV	35	4510.7	TS 15/61 mm long	74	4541.2	KV/PG 29-MS	82
4418.2	CK-PC 2518/84 MVT	35	4510.8	TS 15/110 mm long	60	4541.6	V/PG 29-MS	82
4420.2	CK-PC 2518/90 MV	35	4510.8	TS 15/110 mm long	74	4541.8	S/PG 29-MS	82
4421.2	CK-PC 2518/90 MVT	35	4510.9	TS 35/160 mm long	74	4542.2	KV/PG 36-MS	82
4422.2	CK-PC 2518/111 MV	35	4511.0	MP/CK 77	27	4542.6	V/PG 36-MS	82
4423.2	CK-PC 2518/111 MVT	35	4511.1	MP/CK 97	27	4542.8	S/PG 36-MS	82
4424.2	CK-PC 2518/165 MV	35	4511.2	MP/CK 99	27	4543.2	KV/PG 42-MS	82
4425.2	CK-PC 2518/165 MVT	35	4511.3	MP/CK 1111	27	4543.6	V/PG 42-MS	82
4426.2	CK-PC 2518/90 MVT PV	37	4511.4	MP/CK 1309	27	4543.8	S/PG 42-MS	82
4427.2	CK-PC 3625/111 MVT PV	37	4511.5	MP/CK 1313	27	4544.2	KV/PG 48-MS	82
4428.2	CK-PC 3625/111 MV	36	4511.6	MP/CK 1809	27	4544.6	V/PG 48-MS	82
4429.2	CK-PC 3625/111 MVT	36	4511.7	MP/CK 1811	27	4544.8	S/PG 48-MS	82
4430.2	CK-PC 3625/165 MV	36	4511.8	MP/CK 1818	27	4556.0	BS M 3X5	51
4431.2	CK-PC 3625/165 MVT	36	4511.9	MP/CK 2518	27	4557.0	BS M 4X5	51
4432.1	CP 55/37	41	4512.0	MP/CK 3625	27	4557.0	BS M 4X5	74
4433.1	CP 55/59	41	4512.1	WL/CK	27	4558.0	BS M 6X8	51
4434.1	CP 110/75	43	4512.2	AG/CK 77-CK 1809	27	4558.0	BS M 6X8	74
4435.1	CP 160/75	45	4512.3	AG/CK 1811-CK 3625	27	4559.0	TS 15/45 mm long	27
4436.1	CP 190/75	46	4512.5	MP/A 362	74	4559.1	TS 15/75 mm long	27
4437.1	CP 230/55	47	4512.6	MP/A 2023	74	4559.2	TS 15/87 mm long	27
4438.0	CA 280/100	70	4512.7	MP/A 2823	74	4559.2	TS 15/87 mm long	74
4439.1	CP 80/75	42	4512.8	MP/A 3323	74	4559.3	TS 35/87 mm long	27
4500.3	MP/P 110	51	4515.2	KV/PG 7	81	4559.4	TS 15/106 mm long	27
4500.5	MP/A 122	74	4515.6	V/PG 7	81	4559.4	TS 15/106 mm long	51
4500.7	MP/A 75	74	4515.8	S/PG 7	81	4559.5	TS 35/106 mm long	27
4500.9	MP/A 125	74	4516.2	KV/PG 9	81	4559.5	TS 35/106 mm long	74
4501.1	MP/P 160/5	51	4516.6	V/PG 9	81	4559.6	TS 15/147 mm long	27
4501.3	MP/A 175	74	4516.8	S/PG 9	81	4559.8	TS 35/336 mm long	27
4501.7	MP/220/8/9	74	4517.2	KV/PG 11	81	4560.1	TS 35/186 mm long	74
4501.9	MP/A 160	74	4517.6	V/PG 11	81	4560.3	TS 35/314 mm long	74
4502.1	MP/A 260	74	4517.8	S/PG 11	81	4563.3	MP/CK 75	38
4502.3	MP/A 360	74	4518.2	KV/PG 13,5	81	4563.4	MP/CK 1813	27
4502.5	MP/A 560	74	4518.6	V/PG 13,5	81	4567.0	TS 15/42 mm long	51
4502.8	MP/P 190	51	4518.8	S/PG 13,5	81	4569.0	TS 35/214 mm long	51
4503.0	MP/P 122	51	4519.2	KV/PG 16	81	4570.0	TS 35/264 mm long	74
4503.2	MP/P 160/9	51	4519.6	V/PG 16	81	4571.0	MP/A 280	74
4503.4	MP/P 220	51	4519.8	S/PG 16	81	4572.0	TS 35/348 mm long	74
4503.6	MP/P 260	51	4520.2	KV/PG 21	81	4573.2	KV/M 12 x 1,5	76
4503.8	MP/P 360	51	4520.6	V/PG 21	81	4574.2	KV/M 16 x 1,5	76
4504.2	MP/P 400/2	51	4520.8	S/PG 21	81	4575.2	KV/M 20 x 1,5	76
4504.4	MP/P 400/4	51	4521.2	KV/PG 29	81	4576.2	KV/M 25 x 1,5	76
4504.6	MP/M-T/52	60	4521.6	V/PG 29	81	4577.2	KV/M 32 x 1,5	76

Catalogue numbers and types *numerical*

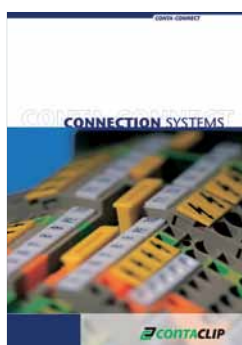
Cat. no.	Type	Page	Cat. no.	Type	Page	Cat. no.	Type	Page
4578.2	KV/M 40 x 1,5	76	17644.4	VRDE 40	79	17761.4	D/M 16 BK	79
4579.2	KV/M 50 x 1,5	76	17645.4	VRDE 50	79	17762.4	D/M 20 BK	79
4580.2	KV/M 63 x 1,5	76	17646.4	VRDE 63	79	17763.4	D/M 25 BK	79
4581.2	KVC/M 12 x 1,5	76	17647.4	VMD 12/04/020	80	17764.4	D/M 32 BK	79
4582.2	KVC/M 16 x 1,5	76	17648.4	VMD 16/02/040	80	17765.4	D/M 40 BK	79
4583.2	KVC/M 20 x 1,5	76	17649.4	VMD 20/02/060	80	17766.4	D/M 50 BK	79
4584.2	KVC/M 25 x 1,5	76	17650.4	VMD 20/02/065	80	17767.4	D/M 63 BK	79
4585.2	KVC/M 32 x 1,5	76	17651.4	VMD 20/03/040	80			
4586.2	KVC/M 40 x 1,5	76	17652.4	VMD 25/01/065	80	31		
4587.2	KVC/M 50 x 1,5	76	17653.4	VMD 25/02/060	80	31000.3	CG 88/55 OV	9
4588.2	KVC/M 63 x 1,5	76	17654.4	VMD 25/02/070	80	31001.3	CG 88/55 OVT	9
4589.2	V/M 12 x 1,5	77	17655.4	VMD 25/02/080	80	31002.3	CG 88/85 OV	9
4590.2	V/M 16 x 1,5	77	17656.4	VMD 25/03/070	80	31003.3	CG 88/85 OVT	9
4591.2	V/M 20 x 1,5	77	17657.4	VMD 25/04/060	80	31004.3	CG 1208/55 OV	10
4592.2	V/M 25 x 1,5	77	17658.4	VMD 32/04/070	80	31005.3	CG 1208/55 OVT	10
4593.2	V/M 32 x 1,5	77	17659.4	VMD 32/04/080	80	31006.3	CG 1208/85 OV	10
4594.2	V/M 40 x 1,5	77	17660.4	VMD 32/06/060	80	31007.3	CG 1208/85 OVT	10
4595.2	V/M 50 x 1,5	77	17661.4	VMD 40/07/070	80	31008.3	CG 1212/55 OV	11
4596.2	V/M 63 x 1,5	77	17662.4	VMD 40/07/080	80	31009.3	CG 1212/55 OVT	11
17			17663.4	VMD 40/08/060	80	31010.3	CG 1212/85 OV	11
17500.4	KV/Mex-e 16 x 1,5	76	17664.4	VMD 50/09/080	80	31011.3	CG 1212/85 OVT	11
17500.5	KV/Mex-i 16 x 1,5	76	17665.9	VBS 2 RD	80	31012.3	CG 1608/55 OV	12
17501.4	KV/Mex-e 20 x 1,5	76	17666.9	VBS 3 RD	80	31013.3	CG 1608/55 OVT	12
17501.5	KV/Mex-i 20 x 1,5	76	17667.9	VBS 4 RD	80	31014.3	CG 1608/85 OV	12
17502.4	KV/Mex-e 25 x 1,5	76	17668.9	VBS 5 RD	80	31015.3	CG 1608/85 OVT	12
17502.5	KV/Mex-i 25 x 1,5	76	17669.9	VBS 6 RD	80	31016.3	CG 1612/90 OV	13
17503.4	KV/Mex-e 32 x 1,5	76	17670.9	VBS 7 RD	80	31017.3	CG 1612/90 OVT	13
17503.5	KV/Mex-i 32 x 1,5	76	17671.9	VBS 8 RD	80	31018.3	CG 2012/75 OV	13
17504.4	KV/Mex-e 40 x 1,5	76	17672.9	VBS 9 RD	80	31019.3	CG 2012/75 OVT	13
17504.5	KV/Mex-i 40 x 1,5	76	17673.9	VBS 10 RD	80	31020.3	CG 2012/90 OV	14
17505.4	KV/Mex-e 50 x 1,5	76	17674.9	VBS 12 RD	80	31021.3	CG 2012/90 OVT	14
17505.5	KV/Mex-i 50 x 1,5	76	17675.9	VBS 13 RD	80	31022.3	CG 2015/90 OV	14
17506.4	KV/Mex-e 63 x 1,5	76	17676.9	VBS 14 RD	80	31023.3	CG 2015/90 OVT	14
17506.5	KV/Mex-i 63 x 1,5	76	17677.9	VBS 17 RD	80	31024.3	CG 2516/90 OV	15
17599.2	KV/M-L 12 x 1,5	76	17678.9	VBS 20 RD	80	31025.3	CG 2516/90 OVT	15
17600.2	KV/M-L 16 x 1,5	76	17679.9	VBS 21 RD	80	31026.3	CG 2516/120 OV	15
17601.2	KV/M-L 20 x 1,5	76	17680.9	VBS 25 RD	80	31027.3	CG 2516/120 OVT	15
17602.2	KV/M-L 25 x 1,5	76	17681.9	VBS 28 RD	80	31028.3	CG 3023/90 OV	16
17603.2	KV/M-L 32 x 1,5	76	17682.9	VBS 35 RD	80	31029.3	CG 3023/90 OVT	16
17604.2	KV/M-L 40 x 1,5	76	17683.9	VBS 38 RD	80	31030.3	CG 3023/110 OV	16
17605.2	KV/M-L 50 x 1,5	76	17684.9	VBS 48 RD	80	31031.3	CG 3023/110 OVT	16
17606.2	KV/M-L 63 x 1,5	76	17685.9	VBS 63 RD	80	31032.2	CG-PC 88/55 OV	9
17607.2	VEM 12/16	76	17700.2	VEM-MS 12/16	78	31033.2	CG-PC 88/55 OVT	9
17608.2	VEM 16/20	76	17701.2	VEM-MS 16/20	78	31034.2	CG-PC 88/85 OV	9
17609.2	VEM 20/25	76	17702.2	VEM-MS 20/25	78	31035.2	CG-PC 88/85 OVT	9
17610.2	VEM 25/32	76	17703.2	VEM-MS 25/32	78	31036.2	CG-PC 1208/55 OV	10
17611.2	VEM 32/40	76	17704.2	VEM-MS 32/40	78	31037.2	CG-PC 1208/55 OVT	10
17612.2	VEM 40/50	76	17705.2	VEM-MS 40/50	78	31038.2	CG-PC 1208/85 OV	10
17613.2	VEM 50/63	76	17706.2	VEM-MS 50/63	78	31039.2	CG-PC 1208/85 OVT	10
17614.2	VRM 16/12	77	17707.2	VRM-MS 16/12	78	31040.2	CG-PC 1212/55 OV	11
17615.2	VRM 20/12	77	17708.2	VRM-MS 20/12	78	31041.2	CG-PC 1212/55 OVT	11
17616.2	VRM 20/16	77	17709.2	VRM-MS 20/16	78	31042.2	CG-PC 1212/85 OV	11
17617.2	VRM 25/12	77	17710.2	VRM-MS 25/16	78	31043.2	CG-PC 1212/85 OVT	11
17618.2	VRM 25/16	77	17711.2	VRM-MS 25/20	78	31044.2	CG-PC 1608/55 OV	12
17619.2	VRM 25/20	77	17712.2	VRM-MS 32/20	78	31045.2	CG-PC 1608/55 OVT	12
17620.2	VRM 32/16	77	17713.2	VRM-MS 32/25	78	31046.2	CG-PC 1608/85 OV	12
17621.2	VRM 32/20	77	17714.2	VRM-MS 40/25	78	31047.2	CG-PC 1608/85 OVT	12
17622.2	VRM 32/25	77	17715.2	VRM-MS 40/32	78	31048.2	CG-PC 1612/90 OV	13
17623.2	VRM 40/20	77	17716.2	VRM-MS 50/32	78	31049.2	CG-PC 1612/90 OVT	13
17624.2	VRM 40/25	77	17717.2	VRM-MS 50/40	78	31050.2	CG-PC 2012/75 OV	13
17625.2	VRM 40/32	77	17718.2	VRM-MS 63/40	78	31051.2	CG-PC 2012/75 OVT	13
17626.2	VRM 50/25	77	17719.2	VRM-MS 63/50	78	31052.2	CG-PC 2012/90 OV	14
17627.2	VRM 50/32	77	17720.2	VEE-MS 12-05	79	31053.2	CG-PC 2012/90 OVT	14
17628.2	VRM 50/40	77	17721.2	VEE-MS 16-07	79	31054.2	CG-PC 2015/90 OV	14
17629.2	VRM 63/32	77	17722.2	VEE-MS 18-09	79	31055.2	CG-PC 2015/90 OVT	14
17630.2	VRM 63/40	77	17723.2	VEE-MS 24-16	79	31056.2	CG-PC 2516/90 OV	15
17631.2	VRM 63/50	77	17724.2	VEE-MS 36-20	79	31057.2	CG-PC 2516/90 OVT	15
17632.6	FDM 12 GR	78	17725.2	VEE-MS 36-26	79	31058.2	CG-PC 2516/120 OV	15
17633.6	FDM 16 GR	78	17726.2	VEE-MS 45-33	79	31059.2	CG-PC 2516/120 OVT	15
17634.6	FDM 20 GR	78	17727.2	VEE-MS 56-45	79	31060.2	CG-PC 3023/90 OV	16
17635.6	FDM 25 GR	78	17728.2	S/M 12-MS/EMV	79	31061.2	CG-PC 3023/90 OVT	16
17636.6	FDM 32 GR	78	17729.2	S/M 16-MS/EMV	79	31062.2	CG-PC 3023/110 OV	16
17637.6	FDM 40 GR	78	17730.2	S/M 20-MS/EMV	79	31063.2	CG-PC 3023/110 OVT	16
17638.6	FDM 50 GR	78	17731.2	S/M 25-MS/EMV	79	31070.2	MP/CG 88	17
17639.4	VRDE 12	79	17732.2	S/M 32-MS/EMV	79	31071.2	MP/CG 1208	17
17640.4	VRDE 16	79	17733.2	S/M 40-MS/EMV	79	31072.2	MP/CG 1212	17
17641.4	VRDE 20	79	17734.2	S/M 50-MS/EMV	79	31073.2	MP/CG 1608	17
17642.4	VRDE 25	79	17735.2	S/M 63-MS/EMV	79	31074.2	MP/CG 1612	17
17643.4	VRDE 32	79	17737.2	S/M 75 x 1,5-MS	79	31075.2	MP/CG 2012	17
			17760.4	D/M 12 BK	79	31076.2	MP/CG 2015	17





www.conta-clip.com

CONTA-CONNECT
[Connection Systems]



CONTA-ELECTRONICS
[Electronics]



CONTA-CON
[PCB Connectors]



EN 1114 All rights reserved.



Otto-Hahn-Str. 7
D-33161 Hövelhof

Phone +49(0)5257.9833-0
Fax +49(0)5257.9833-33

info@conta-clip.com
www.conta-clip.com